

**CATCH BASIN SIZING GUIDE**

- Designed to help determine what size filters are required for each catch basin and/or storm drain protective cover on site.

- For Curb Inlets or custom sizes please call: (707) 793-4800.

Once you have sized your drains you may email back your measurements to:

Email: [Info@ushydrotech.com](mailto:Info@ushydrotech.com)

Attn: Ed Bertain or Eric Olsen

Web: [www.ushydrotech.com](http://www.ushydrotech.com)

Customer: \_\_\_\_\_

Contact: \_\_\_\_\_

Ph: (\_\_\_\_) \_\_\_\_\_

Fax: (\_\_\_\_) \_\_\_\_\_

Project/Tract#: \_\_\_\_\_

Location: \_\_\_\_\_

Drain #	Quantity	Grate Dimensions				Catch Basin Inside Dimensions (I.D.)			(O. D.)
		A	B	E	F	C	D	G	H

**NOTES:**

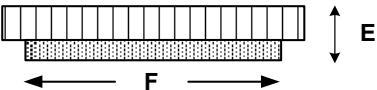
1. Please fill in all dimensions that apply.
2. Please mark the location of any obstructions such as pipes, ladder rungs, etc.
3. Dimensions C & D are the clear openings or (inside throat) of the catch basin.
4. Dimension G is measured from the bottom of the grate to the bottom of the catch basin.

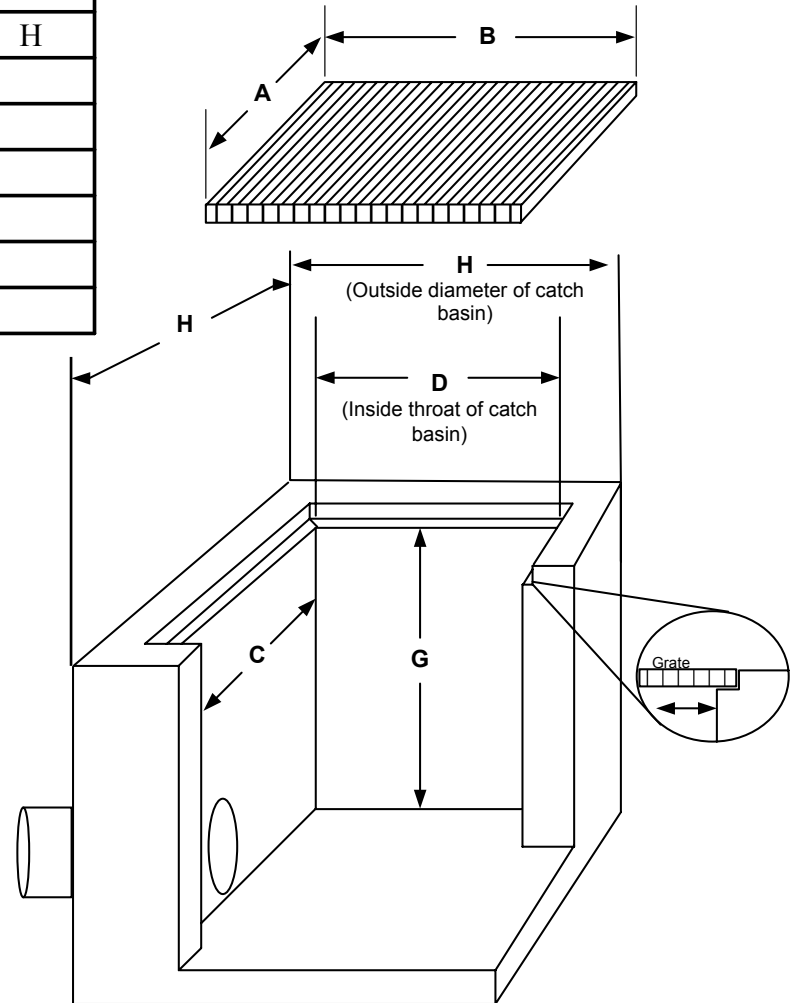
**COMMENTS:**


**E & F – Dimensions:**

Grate Type, Mark one.

1 Flat Bottom (1) → 

2 "Keyhole" / Coped Bottom (2) → 





**CATCH BASIN SIZING GUIDE**

- Designed to help determine what size filters are required for each catch basin and/or storm drain protective cover on site.

- For Curb Inlets or custom sizes please call: (707) 793-4800.

Once you have sized your drains you may email back your measurements to:

**Email: [Info@ushydrotech.com](mailto:Info@ushydrotech.com)  
Attn: Ed Bertain or Eric Olsen**

**Web: [www.ushydrotech.com](http://www.ushydrotech.com)**

Customer: \_\_\_\_\_

Contact: \_\_\_\_\_

Ph: (\_\_\_\_) \_\_\_\_\_

Fax: (\_\_\_\_) \_\_\_\_\_

Project/Tract#: \_\_\_\_\_

Location: \_\_\_\_\_

Drain #	Quantity	Grate Dimensions				Catch Basin Inside Dimension (ID)			(O. D.)
		A	B	E	F	C	D	G	H
		N/A				N/A			
		N/A				N/A			
		N/A				N/A			
		N/A				N/A			
		N/A				N/A			
		N/A				N/A			

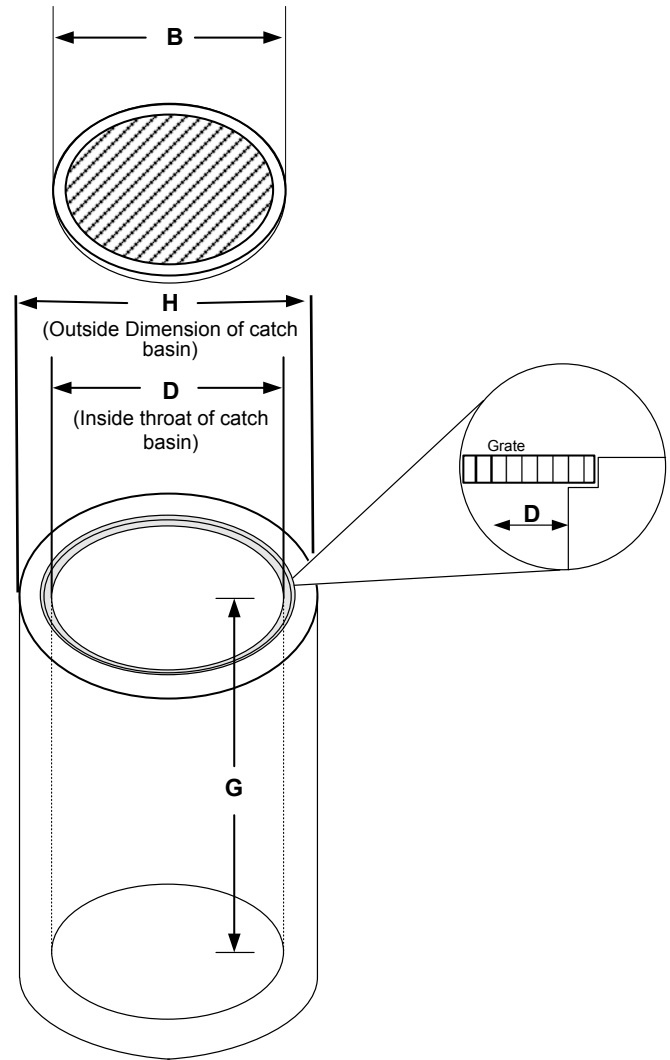
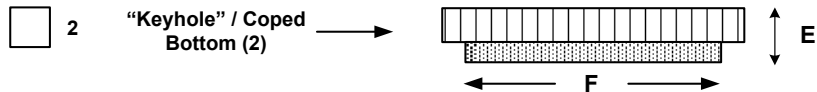
**NOTES:**

1. Please fill in all dimensions that apply.
2. Please mark the location of any obstructions such as pipes, ladder rungs, etc.
3. Dimensions D & G are the clear openings or (inside throat) of the catch basin.
4. Dimension G is measured from the bottom of the grate to the bottom of the catch basin.

**COMMENTS:**


**E & F – Dimensions:**

Grate Type, Mark one.





**CATCH BASIN SIZING GUIDE**

- Designed to help determine what size filters are required for each catch basin and/or storm drain protective cover on site.

- For Curb Inlets or custom sizes please call: (707) 793-4800.

Once you have sized your drains you may email back your measurements to:

**Email: Info@ushydrotech.com**  
**Attn: Ed Bertain or Eric Olsen**

**Web: www.ushydrotech.com**

Customer: \_\_\_\_\_

Contact: \_\_\_\_\_

Ph: (\_\_\_\_) \_\_\_\_\_

Fax: (\_\_\_\_) \_\_\_\_\_

Project/Tract#: \_\_\_\_\_

Location: \_\_\_\_\_

Drain #	Quantity	Grate Dimensions				Catch Basin Inside Dimensions (I.D.)		
		A	B	E	F	C	D	G

**NOTES:**

1. Please fill in all dimensions that apply.
2. Please mark the location of any obstructions such as pipes, ladder rungs, etc.
3. Dimensions C & D are the clear openings (or inside throat) of the catch basin.
4. Dimension G is measured from the bottom of the grate to the bottom of the catch basin.

**COMMENTS:**


**E & F – Dimensions:**

**Grate Type, Mark one.**

1 Flat Bottom (1) → 

2 "Keyhole" / Coped Bottom (2) → 