



PARTS LIST FOR

***MH-0060-LM10***

***MH-0150-LM10***

***MH-0150-LMT0***

***MH-0150-NM10***

This Parts Listing has been compiled for your benefit. You can be assured your Mi-T-M Space Heater was constructed and designed with quality and performance in mind. Each component has been rigorously tested to insure the highest level of acceptance.

The contents of this Parts Listing are based on the latest product information available at the time of publication. Mi-T-M reserves the right to make changes in price, color, materials, equipment, specifications or models at any time without notice.

**WARNING**

THIS IS A PROFESSIONAL SPACE HEATER. CAUTION SHOULD BE OBSERVED WHEN USING OR REPAIRING THIS UNIT! READ AND FOLLOW THE SAFETY WARNINGS LISTED BELOW BEFORE ATTEMPTING ANY REPAIRS ON THIS SPACE HEATER!

### SAFETY WARNINGS

1. NEVER alter or modify the equipment. Use only genuine Mi-T-M parts for repair of your space heater. Failure to do so can cause hazardous operating conditions and will VOID warranty.
2. Be thoroughly familiar with controls.
3. Before servicing the unit, turn unit off, and allow the unit to cool down. Do not make repairs while the unit is running. Service in a clean, dry, flat area. Block the wheels to prevent the unit from moving. Be especially careful to properly dispose of any flammable materials.

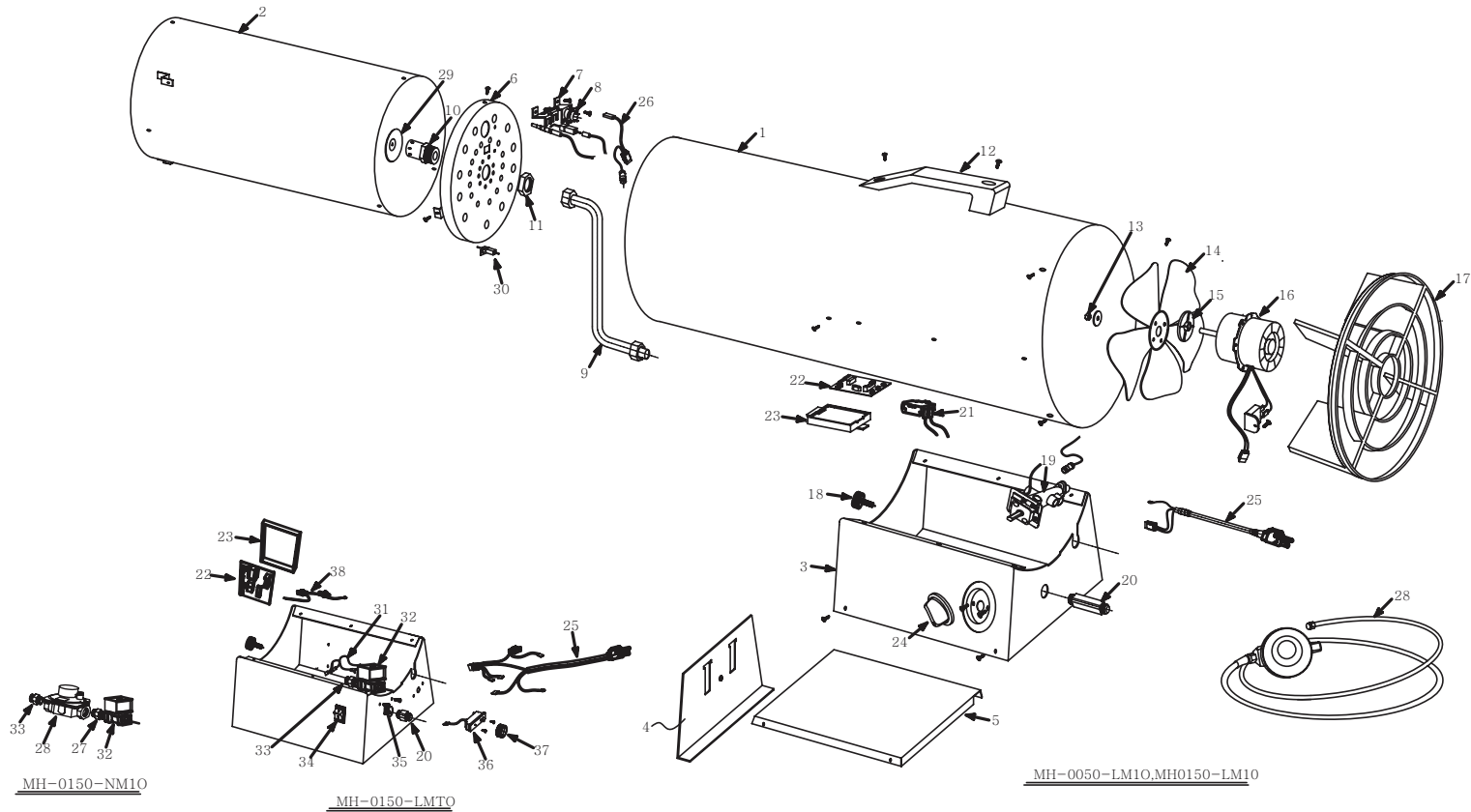
### Table of Contents

<b>SPECIFICATIONS.....</b>	<b>3</b>
<b>FRAME ASSEMBLY .....</b>	<b>4</b>

## SPECIFICATIONS

<b>MODEL NUMBER</b>	<b>MH-0060-LM10</b>	<b>MH-0150-LM10</b>	<b>MH-0150-LMT0</b>	<b>MH-0150-NM10</b>
<b>Output Rating (BTU/Hr)</b>	40-50-60,000	120,000-150,000	150,000	150,000
<b>Fuel</b>	Propane	Propane	Propane	Natural Gas Only
<b>Fuel Consumption</b>	1.9 / 2.3 / 2.8 lbs per hr	5.5 / 6.2 / 6.9 lbs per hr	6.9 lbs per hr	146 cu. ft. per hr
<b>Manifold Pressure (W.C.)</b>	11"	8"	7.8"	3.3"
<b>Electric Input</b>	120V / 60HZ	120V / 60HZ	120V / 60HZ	120V / 60HZ
<b>Amperage (normal run)</b>	0.6	0.8	0.8	0.8
<b>Net Weight (Lbs)</b>	11.2	17.6	24.0	24.0
<b>Size (L x W x H)</b>	18.1" x 7.1" x 13.0"	25.1" x 8.7" x 15.4"	25.1" x 8.7" x 15.4"	25.12" x 9" x 15.5"

# FRAME ASSEMBLY



MH-0050\_0150-LM10\_LMT0\_NM10\_073012

FRAME ASSEMBLY

ITEM #	ITEM DESCRIPTION	PART NO.	QTY.	ITEM #	ITEM DESCRIPTION	PART NO.	QTY.
1	OUTER SHELL (60 LP)	68-6198	1	16	MOTOR ASSEMBLY (60 LP)	68-6067	1
-	OUTER SHELL (150 LP)	68-6132	1	-	MOTOR ASSEMBLY (150 LP)	68-6068	1
-	OUTER SHELL (150T LP)	68-6133	1	-	MOTOR ASSEMBLY (150T LP & 150 NG)	68-6098	1
-	OUTER SHELL (150 NG)	68-6150	1	17	GUARD (60 LP)	68-6069	1
2	INNER SHELL ASSEMBLY (60 LP)	68-6043	1	-	GUARD (150 & 150T LP, 150 NG)	68-6070	1
-	INNER SHELL ASSEMBLY (150 & 150T LP, 150 NG)	68-6044	1	18	ROUND BOLT	68-6071	1
3	BASE (50 LP)	68-6127	1	19	VALVE ASSEMBLY (60 LP)	68-6073	1
-	BASE (150 LP)	68-6129	1	-	VALVE ASSEMBLY (150 LP)	68-6074	1
-	BASE (150T LP)	68-6121	1	20	INLET CONNECTOR (60 & 150 LP)	68-6075	1
-	BASE (150 NG)	68-6124	1	-	INLET CONNECTOR (150T LP)	68-6159	1
4	HEIGHT CONTROLLER (60 LP)	68-6199	1	-	INLET CONNECTOR (150 NG)	68-6103	1
-	HEIGHT CONTROLLER (150 & 150T LP, 150 NG)	68-6152	1	21	SPARK MODULE (60 & 150 LP)	68-6076	1
5	BASE COVER - 50K BTU LP	68-6086	1	-	SPARK MODULE (150T LP, 150 NG)	68-6107	1
-	BASE COVER - 150, 150T, 150NG	68-6087	1	22	PCB ASSEMBLY (60 & 150 LP)	68-6077	1
6	INNER SHELL CAP (60 LP)	68-6155	1	-	PCB ASSEMBLY (150T LP, 150 NG)	68-6104	1
-	INNER SHELL CAP (150 LP)	68-6052	1	23	PCB CASE (60 & 150 LP)	68-6078	1
-	INNER SHELL CAP (150T LP, 150 NG)	68-6088	1	-	PCB CASE (150T LP, 150 NG)	68-6105	1
7	MULTI-BRACKET ASSEMBLY (60 LP)	68-6054	1	24	VALVE KNOB (60 & 150 LP)	68-6079	1
-	MULTI-BRACKET ASSEMBLY (150 LP)	68-6062	1	25	POWER CORD ASSEMBLY (60 & 150 LP)	68-6080	1
-	MULTI-BRACKET ASSEMBLY (150T LP, 150 NG)	68-6063	1	-	POWER CORD ASSEMBLY (150T LP, 150 NG)	68-6109	1
8	THERMAL SWITCH (60 LP)	68-6156	1	26	THERMAL SWITCH CABLE (60 & 150 LP)	68-6081	1
-	THERMAL SWITCH (150 LP)	68-6055	1	-	THERMAL SWITCH CABLE (150T LP, 150 NG)	68-6096	1
-	THERMAL SWITCH (150T LP, 150 NG)	68-6090	1	27	MIDDLE CONNECTOR (150 NG)	68-6101	1
9	TUBING ASSEMBLY (60 LP)	68-6056	1	28	REGULATOR ASSEMBLY (60 LP)	68-6083	1
-	TUBING ASSEMBLY (150 LP)	68-6057	1	-	REGULATOR ASSEMBLY (150 & 150T LP)	68-6084	1
-	TUBING ASSEMBLY (150 NG)	68-6091	1	-	REGULATOR ASSEMBLY (150 NG)	68-6100	1
-	TUBING ASSEMBLY (150T LP)	68-6158	1	29	NOZZLE CAP (150 & 150T LP, 150 NG)	68-6092	1
10	NOZZLE (60 LP)	68-6154	1	30	SENSOR PLUG BRACKET ASSEMBLY (150T LP, 150 NG)	68-6094	1
-	NOZZLE (150 LP)	68-6059	1	31	SOLENOID CABLE (150T LP, 150 NG)	68-6106	2
-	NOZZLE (150T LP)	68-6046	1	32	SOLENOID VALVE (150 NG)	68-6102	1
-	NOZZLE (150 NG)	68-6093	1	-	SOLENOID VALVE (150T LP)	68-6157	1
11	NOZZLE NUT (60 LP)	68-6060	1	33	OUTLET CONNECTOR (150 NG)	68-6099	1
-	NOZZLE NUT (150 & 150T LP, 150 NG)	68-6061	1	-	OUTLET CONNECTOR (150T LP)	68-6160	1
12	HANDLE	68-6114	1	34	ON-OFF SWITCH (150T LP, 150 NG)	68-6111	1
13	FLANGE HEX NUT	C/F	1	35	HEX BOLT (150T LP, 150 NG)	68-6050	2
14	FAN (60 LP)	68-6064	1	36	THERMOSTAT (150T LP, 150 NG)	68-6108	1
-	FAN (150 & 150T LP, 150 NG)	68-6065	1	37	THERMOSTAT KNOB (150T LP, 150 NG)	68-6110	1
15	CUSHION PAD	C/F	1	38	SENSOR CABLE (150T LP, 150 NG)	68-6095	1

Manufactured by Mi-T-M  
8650 Enterprise Drive, Peosta IA 52068  
563-556-7484/ Fax 563-556-1235