



***Natural Gas Portable Heater***  
***MH-0150-NM10***  
**OPERATOR'S MANUAL**



**CAUTION**

**RISK OF INJURY! READ ENTIRE MANUAL BEFORE OPERATING!  
THIS MANUAL IS AN IMPORTANT PART OF THE PORTABLE HEATER  
AND MUST REMAIN WITH THIS UNIT!**



## TABLE OF CONTENTS

INTRODUCTION.....	3
<b>IMPORTANT SAFETY INSTRUCTIONS.....</b>	<b>4</b>
<b>PORTABLE HEATER SPECIFICATIONS.....</b>	<b>9</b>
<b>GENERAL SAFETY INFORMATION .....</b>	<b>10</b>
IMPORTANT SAFETY INFORMATION.....	10
<b>INSTALLATION .....</b>	<b>11</b>
<b>OPERATION.....</b>	<b>12</b>
THEORY OF OPERATION .....	12
VENTILATION .....	12
TO START HEATER .....	12
EXTENSION CORD WIRE REQUIREMENTS.....	12
TO SHUTDOWN HEATER .....	13
<b>MAINTENANCE .....</b>	<b>14</b>
MAINTENANCE AND STORAGE.....	14
SERVICE PROCEDURES .....	14
REMOVING PROTECTIVE COVER.....	14
FAN.....	14
IGNITOR.....	14
STORAGE.....	14
<b>TROUBLESHOOTING .....</b>	<b>15</b>
<b>STATEMENT OF WARRANTY.....</b>	<b>16</b>

**⚠ GENERAL HAZARD WARNING: FAILURE TO COMPLY WITH THE PRECAUTIONS AND INSTRUCTIONS PROVIDED WITH THIS HEATER, CAN RESULT IN DEATH, OR SERIOUS BODILY INJURY AND PROPERTY LOSS OR DAMAGE FROM HAZARDS OF FIRE, EXPLOSION, BURN, ASPHYXIATION, CARBON MONOXIDE POISONING, AND / OR ELECTRICAL SHOCK.**

**ONLY PERSONS WHO CAN UNDERSTAND AND FOLLOW THE INSTRUCTIONS SHOULD USE OR SERVICE THIS HEATER.**

**IF YOU NEED ASSISTANCE OR HEATER INFORMATION SUCH AS AN INSTRUCTIONS MANUAL, LABEL, ETC. CONTACT THE MANUFACTURER.**

**⚠ WARNING: FIRE, BURN, INHALATION, AND EXPLOSION HAZARD. KEEP SOLID COMBUSTIBLES, SUCH AS BUILDING MATERIALS, PAPER OR CARDBOARD, A SAFE DISTANCE AWAY FROM THE HEATER AS RECOMMENDED BY THE INSTRUCTIONS. NEVER USE THE HEATER IN SPACES WHICH DO OR MAY CONTAIN VOLATILE OR AIRBORNE COMBUSTIBLES, OR PRODUCTS SUCH AS GASOLINE, SOLVENTS, PAINT THINNER, DUST PARTICLES OR UNKNOWN CHEMICALS.**

**⚠ WARNING: NOT FOR HOME OR RECREATIONAL VEHICLE USE.**

### **⚠ WARNING**

**Warning:** This product contains lead, a chemical known to the State of California to cause birth defects or other reproductive harm.

***Wash your hands after handling this product.***

### **⚠ WARNING**

This product contains one or more chemicals known to the State of California to cause cancer and birth defects or other reproductive harm.

## INTRODUCTION

Congratulations on the purchase of your new Mi-T-M® Natural Gas Portable Heater! You can be assured your Mi-T-M® Natural Gas Portable Heater was constructed with the highest level of precision and accuracy. Each component has been rigorously tested by technicians to ensure the quality, endurance and performance of this heater.

This operator's manual was compiled for your benefit. By reading and following the simple safety, installation and operation, maintenance and troubleshooting steps described in this manual, you will receive years of troublefree operation from your new Natural Gas Portable Heater. The contents of this manual are based on the latest product information available at the time of publication. The Manufacturer reserves the right to make changes in price, color, materials equipment, specifications or models at any time without notice.



### IMPORTANT!

A "DANGER, WARNING or CAUTION" safety warning will be surrounded by a "SAFETY ALERT BOX". This box is used to designate and emphasize Safety Warnings that must be followed when operating this heater. Accompanying the safety warnings are "Signal Words" which designate the degree or level of hazard seriousness. The "Signal Words" used in this manual are as follows:

**DANGER: INDICATES AN IMMINENTLY HAZARDOUS SITUATION WHICH, IF NOT AVOIDED, WILL RESULT IN DEATH OR SERIOUS INJURY.**

**WARNING: INDICATES A POTENTIALLY HAZARDOUS SITUATION WHICH, IF NOT AVOIDED, COULD RESULT IN DEATH OR SERIOUS INJURY.**

**CAUTION: INDICATES A POTENTIALLY HAZARDOUS SITUATION WHICH, IF NOT AVOIDED MAY RESULT IN MINOR OR MODERATE INJURY OR DAMAGE TO THE HEATER.**

The symbols set below are "Safety Alert Symbols". These symbols are used to call attention to items or procedures that could be dangerous to you or other persons using this equipment.



**ALWAYS PROVIDE A COPY OF THIS MANUAL TO ANYONE USING THIS EQUIPMENT. READ ALL INSTRUCTIONS IN THIS MANUAL AND ANY INSTRUCTIONS SUPPLIED BY MANUFACTURERS OF SUPPORTING EQUIPMENT BEFORE OPERATING THE PORTABLE HEATER AND ESPECIALLY POINT OUT THE "SAFETY WARNINGS" TO PREVENT THE POSSIBILITY OF PERSONAL INJURY TO THE OPERATOR.**

Once the unit has been uncrated, immediately write in the serial number of your unit in the space provided below.

**SERIAL NUMBER** \_\_\_\_\_

Inspect for signs of obvious or concealed freight damage. If damage does exist, file a claim with the transportation company immediately. Be sure that all damaged parts are replaced and that the mechanical and electrical problems are corrected prior to operation of the unit. If you require service, contact Mi-T-M® Customer Service.

Mi-T-M® Corporation, 8650 Enterprise Drive, Peosta, IA 52068  
563-556-7484 / 800-553-9053 / Fax 563-556-1235  
Monday - Friday 8:00 a.m. - 5:00 p.m. CST

Please have the following information available for all service calls:



1. Model Number
2. Serial Number
3. Date and Place of Purchase

## IMPORTANT SAFETY INSTRUCTIONS





READ ALL SAFETY WARNINGS BEFORE USING PORTABLE HEATER




Hazard	Potential Consequence	Prevention
<p><b>RISK OF ELECTRIC SHOCK OR ELECTROCUTION</b></p> 	<p>Serious injury or death could occur if the portable heater is not properly grounded. Your heater is powered by electricity and may cause electric shock or electrocution if not used properly.</p> <p>Electrical shock may occur if the Portable heater is not operated properly.</p> <p>Serious injury or death may occur if electrical repairs are attempted by unqualified persons.</p>	<p>Installation of this unit, including all electrical connections, must comply with all local, state and national codes.</p> <p>This product must be grounded. Connect to a GFCI circuit breaker when available. If the unit should malfunction or breakdown, grounding provides a path of least resistance for electric current to reduce the risk of electric shock. Do not ground to a gas supply line.</p> <p>Improper connection of the equipment-grounding conductor can result in a risk of electrocution. Check with a qualified electrician or service personnel if you are in doubt as to whether the system is properly grounded.</p> <p>Always be certain the unit is receiving proper voltage. Specified on the model plate of the heater. Use only a three-prong, grounded outlet and extension cord.</p> <p>Keep all connections dry and install the heater so that it is not directly exposed to water spray, rain, dripping water or wind.</p> <p>Any electrical wiring or repairs performed on this heater should be done by Authorized Service Personnel in accordance with National and Local electrical codes.</p> <p>Always unplug the heater when not in use.</p>
<p><b>RISK OF BURNS</b></p> 	<p>Serious injury could occur from touching exposed metal parts. These areas can remain hot for some time after the heater is turned off.</p>	<p>Never allow any part of your body or other materials to make contact with any exposed metal parts on the heater.</p>

## IMPORTANT SAFETY INSTRUCTIONS


Hazard	Potential Consequence	Prevention
<p><b>RISK OF EXPLOSION OR FIRE</b></p> <div style="text-align: center;">  </div> <div style="text-align: center; margin-top: 10px;">  </div>	<p>Serious injury or death may occur from normal electrical sparks in motor and pressure switch</p> <p>Serious injury may occur if the heater air inlet or outlet is blocked.</p> <p>Serious injury may occur if heater is not placed on level surface.</p>	<p>Always operate heater in a well ventilated area free of flammable vapors, combustible dust, gases or other combustible materials.</p> <p>Never place objects in front of air inlet (rear) or air outlet (front) of heater. Never use duct work in front or at rear of heater. Keep all combustible material away from this heater.</p> <p>Never move or handle heater while still hot.</p> <p>If equipped with a thermostat, the heater may start at any time.</p> <p>Always locate heater on a stable and level surface.</p> <p>Always keep away from children and animals.</p> <p>Bulk Fuel storage should be a minimum of 25 feet from heater.</p> <p>Do not discharge heater toward a propane cylinder unless it is at least 20 feet from the heater.</p>

** NEVER LEAVE HEATER UNATTENDED WHILE BURNING, CONNECTED TO A POWER SOURCE, OR WHILE CONNECTED TO A FUEL SOURCE.**


## IMPORTANT SAFETY INSTRUCTIONS


Hazard	Potential Consequence	Prevention
<p><b>RISK TO BREATHING</b></p> 	<p>Serious injury or death could occur from failure to provide proper ventilation according to this manual.</p>	<p>This is a direct-fired, forced air heater. It is primarily intended for use for temporary heating of buildings under construction, alteration or repair. Direct-fired means that all of the combustion products of the heater enter the heated space. This appliance does produce small amounts of carbon monoxide. Carbon monoxide is toxic. Humans can tolerate small amounts of carbon monoxide, and precautions should be taken to provide proper ventilation.</p> <p>Early signs of carbon monoxide poisoning resemble the flu. Symptoms of improper ventilation are: * headache * dizziness * burning of the nose and eyes * nausea * dry mouth * sore throat</p> <p>Use this heater only in well ventilated areas! Provide at least a three square foot (2,800 sq cm) opening of outside air for every 100,000 BTU/hr of heater rating.</p> <p>People with breathing problems should consult a physician before using the heater.</p> <p>Get fresh air at once! Have the heater serviced. Some people are more affected by carbon monoxide than others. These include pregnant women, those with heart or lung problems, anemia, or those under the influence of alcohol, or at high altitudes.</p> <p>Never use this heater in living or sleeping areas.</p>


## IMPORTANT SAFETY INSTRUCTIONS

 FIRE, BURN, INHALATION, AND EXPLOSION HAZARD. KEEP COMBUSTIBLES, SUCH AS BUILDING MATERIALS, PAPER OR CARDBOARD, A SAFE DISTANCE AWAY FROM THE HEATER AS RECOMMENDED BY THESE INSTRUCTIONS. NEVER USE THE HEATER IN SPACES WHICH DO OR MAY CONTAIN VOLATILE OR AIRBORNE COMBUSTIBLES OR PRODUCTS SUCH AS GASOLINE, SOLVENTS, PAINT THINNER, DUST PARTICLES, OR UNKNOWN CHEMICALS.

 WARNING: IF THE INFORMATION IN THIS MANUAL IS NOT FOLLOWED EXACTLY, A FIRE OR EXPLOSION MAY RESULT CAUSING PROPERTY DAMAGE, PERSONAL INJURY OR LOSS OF LIFE.

 WARNING: PROPOSITION 65 FUELS USED IN GAS, WOOD BURNING OR OIL-FIRED APPLIANCES, AND THE PRODUCTS OF COMBUSTION OF SUCH FUELS, CONTAIN CHEMICALS KNOWN TO THE STATE OF CALIFORNIA TO CAUSE CANCER, BIRTH DEFECTS AND OTHER REPRODUCTIVE HARM.

 WARNING: INSTALL AND USE HEATER WITH CARE. FOLLOW ALL LOCAL ORDINANCES AND CODES. IN THE ABSENCE OF LOCAL ORDINANCES AND CODES, REFER TO THE NATIONAL FUEL GAS CODE HANDBOOK NFPA54/ANSI Z223.1 AND THE NATURAL GAS INSTALLATION CODE, CAN/CGA B149.1 THIS INSTRUCTS ON THE SAFE STORAGE AND HANDLING OF FLAMMABLE GASES.

 DO NOT OPERATE THIS HEATER UNTIL YOU HAVE READ, AND THOROUGHLY UNDERSTAND THESE SAFETY AND OPERATING INSTRUCTIONS. FAILURE TO COMPLY WITH THE PRECAUTIONS AND INSTRUCTIONS PROVIDED WITH THIS HEATER CAN RESULT IN DEATH, SERIOUS BODILY INJURY, PROPERTY LOSS OR DAMAGE FROM THE HAZARDS OF FIRE, EXPLOSION, BURNS, ASPHYXIATION OR CARBON MONOXIDE POISONING. ONLY PERSONS WHO CAN READ AND UNDERSTAND THESE INSTRUCTIONS SHOULD USE OR SERVICE THIS HEATER.

 ! SAVE THESE INSTRUCTIONS ! 

 NEVER LEAVE HEATER UNATTENDED WHILE BURNING, CONNECTED TO A POWER SOURCE, OR WHILE CONNECTED TO A FUEL SOURCE.



**THE FOLLOWING PAGES CONTAIN OPERATING AND  
MAINTENANCE INSTRUCTIONS.**

**DO NOT ATTEMPT TO OPERATE THIS PORTABLE HEATER  
UNTIL YOU HAVE READ AND UNDERSTOOD ALL SAFETY  
PRECAUTIONS AND INSTRUCTIONS LISTED IN THIS MANUAL.**

**INCORRECT OPERATION OF THIS UNIT CAN CAUSE SERIOUS  
INJURY!!**

**DO NOT ALTER OR MODIFY THIS EQUIPMENT  
IN ANY MANNER!**

**NEVER LEAVE HEATER UNATTENDED WHILE BURNING OR  
CONNECTED TO A POWER SOURCE.**



## PORTABLE HEATER SPECIFICATIONS

<b>Model</b>	<b>MH-0150-NM10</b>
<b>Rating BTU/Hr</b>	150,000
<b>Fuel</b>	Natural Gas Only
<b>Fuel Consumption Ft/Hr</b>	146 Cubic Ft/Hr
<b>Electrical Input</b>	120V, 60 Hz
<b>Manifold Pressure</b>	3.3"
<b>Amps</b>	0.8
<b>Size (L x W x H)</b>	25.12" x 9" x 15.5"
<b>Net Weight (Lbs)</b>	24

## GENERAL SAFETY INFORMATION

 **WARNING: IMPROPER USE OF THIS HEATER CAN RESULT IN SERIOUS INJURY OR DEATH FROM BURNS, FIRE, EXPLOSION, ELECTRICAL SHOCK AND /OR CARBON MONOXIDE POISONING.**

 **WARNING: NOT FOR USE WITH DUCTWORK.**

**IMPORTANT:** Read this User's Manual carefully and completely before attempting to operate or service this heater. Improper use of the heater can cause serious injury or death from fire, explosion and carbon monoxide poisoning.

Not every possible circumstance that might involve a hazard can be anticipated. The warnings in this manual and on tags or decals affixed to the unit are therefore not all-inclusive. If a procedure, work method, or operating technique not specifically recommended by Mi-T-M is used, you must make sure it is safe for you and others.

You should also ensure that equipment will not be damaged or made unsafe by the operating or maintenance method you choose. This heater is designed and approved for use as a construction heater under ANSI Z83.7-2011/CSA 2.14-2011.

### IMPORTANT SAFETY INFORMATION

1. Use only the regulator and hose assembly provided with this heater. Inspect the regulator/hose assembly prior to each use of the heater. If there is excessive abrasion or wear, or if the hose is cut, replace it with the proper assembly shown in the parts list, prior to using the heater.
2. Children should be kept away.
3. Electrical grounding instructions. This appliance is equipped with a three prong (grounding) plug for your protection against shock hazard and should be plugged directly into a properly grounded three-prong receptacle or extension cord.
4. Use only natural gas. Do not attempt to operate on LP gas.
5. Never operate heater while unattended.
6. This heater is equipped with a thermostat. Heater may start at any time.
7. Never move, handle, or service a hot or operating heater. Severe burns may result. You must wait 15 minutes after turning heater off.
8. To prevent injury, wear gloves when handling heater.
9. Do not alter heater. Keep heater in its original state.
10. Do not use heater if altered.
11. Turn off natural gas supply to heater and unplug when not in use.
12. Use only original replacement parts. This heater must use design-specific parts. Do not substitute or use generic parts. Improper replacement parts could cause serious or fatal injuries.

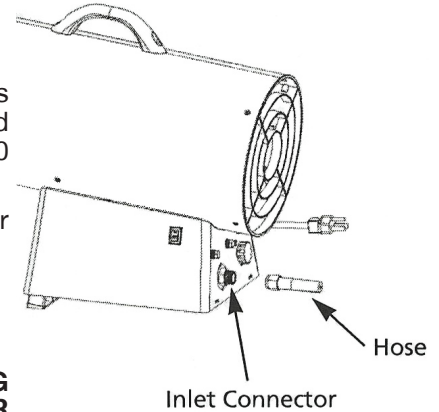
 **NEVER LEAVE HEATER UNATTENDED WHILE BURNING, CONNECTED TO A POWER SOURCE, OR WHILE CONNECTED TO A FUEL SOURCE.**

## INSTALLATION

**⚠ WARNING: REVIEW AND UNDERSTAND ALL OF THE WARNING IN THE SAFETY INFORMATION SECTION. THEY ARE REQUIRED TO OPERATE THIS HEATER SAFELY. FOLLOW ALL LOCAL AND STATE CODES WHEN OPERATING THIS HEATER.**

**⚠ WARNING: BE SURE TO TEST ALL CONNECTIONS FOR LEAKS AFTER INSTALLATION OR SERVICE. NEVER USE AN OPEN FLAME TO CHECK FOR LEAKS. APPLY A 50/50 MIXTURE OF DISH SOAP AND WATER TO EACH CONNECTION. IF BUBBLES APPEAR THERE IS A LEAK. CORRECT ALL LEAKS IMMEDIATELY.**

1. Provide the natural gas supply system (See Natural Gas Supply).
2. Connect all plumbing and fittings to the low-pressure Natural Gas source. This source must be regulated to a maximum of 1/2 PSI, and the piping must be a 3/4 inside diameter minimum, and not be over 10 feet in length.
3. Line up the female threaded end of the hose with the fitting on the heater base and tighten.
4. Slowly open valve at natural gas supply.
5. Check for leaks at all connections.



**⚠ WARNING: AFTER INSTALLING ALL GAS PIPING, AND MAKING THE PROPER CONNECTIONS, BE SURE TO CHECK FOR LEAKS. APPLY A 50/50 MIXTURE OF DISH SOAP AND WATER TO ALL CONNECTIONS. BUBBLES FOAMING ARE EVIDENCE OF A LEAK. BE SURE TO CORRECT ALL LEAKS AT ONCE.**

6. Close natural gas supply.

**⚠ CARBON MONOXIDE POISONING: EARLY SIGNS OF CARBON MONOXIDE POISONING RESEMBLE FLU-LIKE SYMPTOMS SUCH AS HEADACHES, DIZZINESS, AND/OR NAUSEA. IF YOU HAVE THESE SYMPTOMS, YOUR HEATER MAY NOT BE WORKING PROPERLY.**

### MINIMUM HEATER CLEARANCES FROM COMBUSTIBLES:

Minimum clearances to outlet is 8 feet. Top, rear and sides minimum of 2 feet, top 6 feet..

**⚠ NEVER LEAVE HEATER UNATTENDED WHILE BURNING, CONNECTED TO A POWER SOURCE, OR WHILE CONNECTED TO A FUEL SOURCE.**

## OPERATION

### THEORY OF OPERATION

**Fuel System:** The pipe runs from the gas supply to the heater itself. After the gas runs through the pipe, it passes through the solenoid valve and out the nozzle into the combustion chamber.

**Air System:** The internal motor turns the fan, which pushes air around and through the combustion chamber. Here the air is heated and provides a constant stream of warmth.

**Ignition System:** The spark module sends voltage to the ignitor. The ignitor ignites the fuel and air mixture.

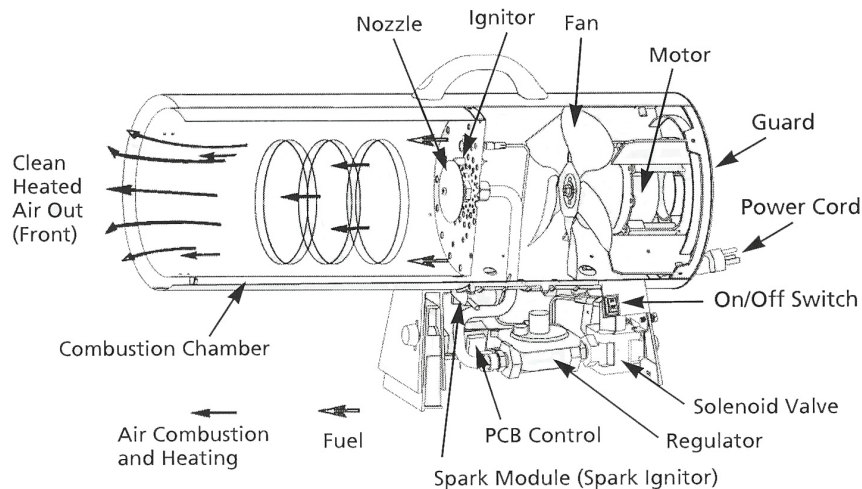
**Safety Control System:** This system shuts the heater down if the flame is extinguished. The fan and motor will continue to operate, but there will not be any heat.

**Temperature Control System:** A built-in thermostat allows the heater to turn on and off to maintain a consistent temperature.

### THE NATURAL GAS SUPPLY

The user of this heater must provide the natural gas supply and all fittings to properly install the heater.

The natural gas supply should be able to provide a minimum of 150 cubic feet of gas per hour for each heater being used. Consult with your natural gas supplier for the proper sizing of all gas lines. You must regulate the natural gas supply down from the minimum of 5 inches of water column to a maximum of 1/2 PSI.



### VENTILATION

Always provide a fresh air opening in the heated space of at least three square feet (2,800 sq. cm.) for each 100,000 BTU/Hr of heater output. Always be sure that the proper ventilation is being provided before starting this heater.

**⚠ NEVER LEAVE HEATER UNATTENDED WHILE BURNING OR CONNECTED TO A POWERSOURCE.**

### TO START HEATER

1. Follow all safety, installation and ventilation instructions in this manual.
2. Position the heater on a stable and level surface, and be sure that no drafts blow into the inlet or outlet of the heater.
3. Plug the power cord of the heater into a three hole grounded extension cord. Be sure that the extension cord is at least 6 feet long, and is UL listed.

### EXTENSION CORD WIRE REQUIREMENTS:

Up to 50 feet long, use 18 AWG rated cord.

## OPERATION

51 to 100 feet long, use 16 AWG rated cord.

101 to 200 feet long, use 14 AWG rated cord.

4. Follow the extension cord requirements, plug the extension cord into a 120V/60Hz, three hole grounded outlet.
5. Open gas supply valve slowly.
6. Rotate on/off switch to the ON position. Set thermostat to desired temperature. Thermostat setting may be too low if heater does not start. Select a higher temperature and start heater.

*Note: If the heater do not ignite turn on/off switch to OFF position. Wait for the safety control to reset (usually about 10 seconds) and try again.*

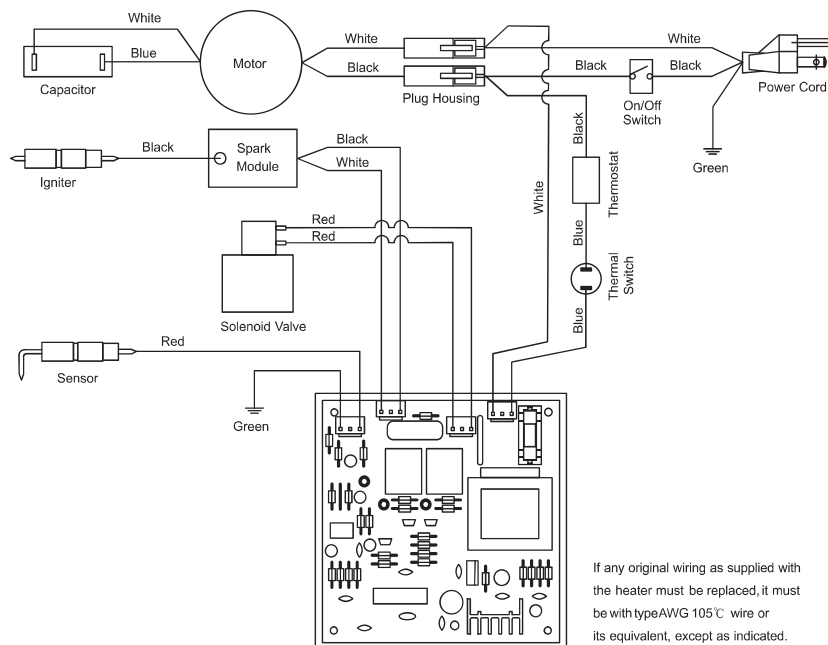
*Note: If this does not work, the high temperature switch may have opened while the thermostat was shutting down. Wait 10 to 15 minutes for the switch to reset, then attempt to light heater. Continued outages indicate a system problem, have unit serviced by a professional.*

## TO SHUTDOWN HEATER

1. Shut off the gas supply by closing the valve tightly.
2. After a few seconds, the heater will burn off the gas that was left in the supply line.
3. Turn on/off switch to the OFF position.
4. Disconnect heater from power supply.

**⚠ NEVER LEAVE HEATER UNATTENDED WHILE BURNING, CONNECTED TO A POWER SOURCE, OR WHILE CONNECTED TO A FUEL SOURCE.**

## WIRING DIAGRAM



## MAINTENANCE

### MAINTENANCE AND STORAGE

**⚠ WARNING: DO NOT ATTEMPT TO SERVICE THE HEATER WHILE IT IS HOT, OPERATING OR PLUGGED IN. SEVERE BURNS OR ELECTRICAL SHOCK CAN OCCUR**

1. Be sure to inspect the heater before each use. Check for leaks using the method described in Installation Section. Repair any leaks immediately.
2. Always keep heater clean. Clean the heater annually, or as often as needed to remove any dust or debris. When the heater becomes dirty, wipe it down with a damp cloth.
3. Keep the inside of the heater free from foreign objects and combustibles.
4. Have the heater inspected annually by qualified service person.

### SERVICE PROCEDURES

**⚠ WARNING: NEVER SERVICE HEATER WHILE HOT, OPERATING OR CONNECTED TO THE GAS SUPPLY. SEVERE BURNS OR ELECTRICAL SHOCK MAY OCCUR.**

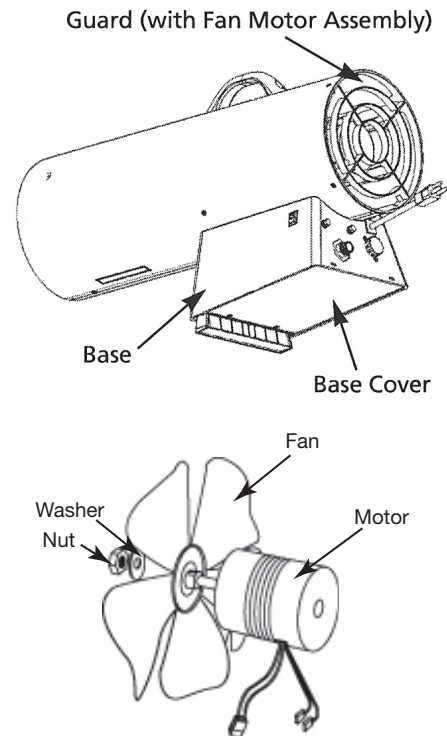
### REMOVING PROTECTIVE COVER

1. Remove lower base cover at the bottom of the heater.
2. Remove fan guard.

### FAN

**Important:** Always remove the fan from the motor shaft before removing the motor assembly from the heater. This will help prevent damage to the fan.

1. Remove lower base cover.
2. Remove fan guard.
3. Remove base.
4. Disconnect lead wires attached to the motor.
5. Remove motor assembly.
6. Loosen fan setscrew using a 1/8" hex wrench, and remove fan.
7. Using a soft cloth moistened with kerosene or a cleaning solvent, carefully clean the fan blades making sure not to bend them.
8. Dry fan with clean cloth.
9. Assemble fan on motor shaft and tighten hex nuts firmly (be careful not to overtighten).
10. Reconnect lead wires as show in Wiring Diagram.
11. Reassemble base, fan guard and base lower.



### IGNITOR

The only maintenance necessary for the ignitor is to be sure that the gap between the electrodes is kept at 0.14". The ignitor is accessible through the combustion chamber.

### STORAGE

**⚠ CAUTION: ALWAYS DISCONNECT HEATER FROM GAS SUPPLY.**

1. Replace the plastic caps over the fittings they were installed when you originally unpacked your heater.
2. Store the heater in a safe, clean and dry location.
3. When removing the heater from storage, always check inside of the heater for any foreign objects left by spiders or small animals. Keep the inside of the heater clean from foreign objects and combustibles.

**⚠ NEVER LEAVE HEATER UNATTENDED WHILE BURNING, CONNECTED TO A POWER SOURCE, OR WHILE CONNECTED TO A FUEL SOURCE.**

## TROUBLESHOOTING

### SYMPTOM

---

### PROBABLE CAUSE

---

### REMEDY

---

Fan does not turn when electricity is connected

1. No electric power to heater
2. Blades of fan in contact with heater housing
3. Fan blades bent
4. Fan motor defective

1. Check current at outlet. If voltage is correct, inspect extension and power cords for cuts, frays or breaks
2. Check housing for damage. Be sure there are no dents in the housing obstructing the fan
3. Straighten all fan blades
4. Replace Motor Assembly

---

Heater will not fire (ignite)

- 
1. No spark at igniter
  2. Incorrect spark gap
  3. Corroded electrode

- 
1. Inspect igniter wire. Re-attach, or tighten if loose. Inspect Spark module, and replace if necessary. Inspect all other electrical components
  2. Set plug gap to 0.14" (3.5mm)
  3. Replace spark plug (Multi-Bracket Assembly)

---

Heater stops running by itself

- 
1. Temperature inside heater is too high, causing thermal switch to shut down operation
  2. Damaged control valve
  3. Dust or debris accumulated in heater

- 
1. If heater input or output is restricted, the inside temperature can become too hot. Keep the areas in front and behind heater clear of obstructions
  2. Replace control valve (Valve Assembly)
  3. Clean inside of heater



## STATEMENT OF WARRANTY

Mi-T-M warrants this heater to the original retail purchaser only, to be free from defects in material and workmanship for a period of

one (1) year from the date of initial purchase.

This product must be properly installed, maintained and operated in accordance with the instructions provided. Mi-T-M requires reasonable proof of your date of purchase from an authorized retailer or distributor. Therefore, you should keep your sales slip, invoice, or cancelled check from the original purchase.

### EXCLUSIONS

1. This Limited Warranty shall be limited to the repair or replacement of parts, which prove defective Mi-T-M shall determine at its reasonable discretion. This warranty does not include wear items: filters, vanes, nozzles, and rotors.
2. This Limited Warranty does not cover any failures or operating difficulties due to normal wear and tear, accident, abuse, misuse, alteration, misapplication, improper installation or improper maintenance and service by you or any third party. Failure to perform normal and routine maintenance on the heater, shipping damage, damage related to insects, birds, or animals of any kind, and damage due to weather conditions are also not covered.
3. In addition, the Limited Warranty does not cover damage to the finish, such as scratches, dents, discoloration, rust or other weather damage, after purchase.

All transportation costs for the return of the damaged product or parts will be the responsibility of the purchaser. Upon receipt of damaged item, Mi-T-M will examine the item and determine if defective. Mi-T-M will repair or replace and return the item, freight pre-paid. If Mi-T-M finds the item to be in normal operating condition, or not defective, the item will be returned freight collect.

This Limited Warranty is in lieu of all other express warranties. Mi-T-M disclaims all warranties for products that are purchased from sellers other than authorized retailers or distributors.

AFTER THE PERIOD OF THE ONE (1) YEAR EXPRESS WARRANTY EXPIRES, Mi-T-M DISCLAIMS ANY AND ALL IMPLIED WARRANTIES, INCLUDING WITHOUT LIMITATION THE IMPLIED WARRANTIES OF MERCHANTABILITY AND FITNESS FOR A PARTICULAR APPLICATION. FURTHER, Mi-T-M SHALL HAVE NO LIABILITY WHATSOEVER TO PURCHASER OR ANY THIRD PARTY FOR ANY SPECIAL, INDIRECT, PUNITIVE, INCIDENTAL, OR CONSEQUENTIAL DAMAGES.

Mi-T-M assumes no responsibility for any defects caused by third parties. This Limited Warranty gives the purchaser specific legal rights; a purchaser may have other rights depending upon where he or she lives. Some states do not allow the exclusion or limitation of special, incidental or consequential damages, or limitations on how long a warranty lasts, so the above exclusion and limitations may not apply to you. Mi-T-M does not authorize any person or company to assume for it any other obligation or liability in connection with the sale, installation, use, removal, return, or replacement of its equipment, and no such representations are binding on Mi-T-M. Always be sure to specify model number and serial number when making any claim with Mi-T-M.

For Service or Warranty Consideration, contact  
Mi-T-M® Corporation, 8650 Enterprise Drive, Peosta, IA 52068  
563-556-7484 / 800-553-9053 / Fax 563-556-1235  
Monday - Friday 8:00 a.m. - 5:00 p.m. CST




## TABLE OF CONTENTS

INTRODUCTION .....	18
IMPORTANTES CONSIGNES DE SECURITE .....	19
SPÉCIFICATIONS .....	24
CONSIGNES GÉNÉRALES DE SÉCURITÉ .....	25
INSTALLATION .....	26
FONCTIONNEMENT.....	27
ENTRETIEN.....	29
DÉPANNAGE .....	30
STATEMENT OF WARRANTY.....	31

 **AVERTISSEMENT DE SÉCURITÉ GÉNÉRAL:** LE FAIT DE NE PAS RESPECTER LES PRÉCAUTIONS ET LES INSTRUCTIONS FOURNIES AVEC CET APPAREIL DE CHAUFFAGE PEUT RÉSULTER EN DES DOMMAGES CORPORELS MORTELS OU SÉRIEUX, UNE PERTE DE PROPRIÉTÉ OU DES DOMMAGES DUS À UN INCENDIE, UNE EXPLOSION, DES BRÛLURES, L'ASPHYXIE, L'EMPOISONNEMENT À L'OXYDE DE CARBONE ET/OU UN CHOC ÉLECTRIQUE.

SEULES LES PERSONNES QUI PEUVENT LIRE ET COMPRENDRE CES INSTRUCTIONS DOIVENT UTILISER OU ENTREtenir CET APPAREIL DE CHAUFFAGE.

CONTACTER LE FABRICANT SI VOUS AVEZ BESOIN D'AIDE OU DE RENSEIGNEMENTS CONCERNANT LE CHAUFFAGE TELS QU'UN MANUEL DE L'OPERATEUR, UNE ETIQUETTE, ETC.

 **AVERTISSEMENT:** RISQUE D'INCENDIE, DE BRÛLURES, D'INHALATION ET D'EXPLOSION. MAINTENIR LES MATÉRIAUX COMBUSTIBLES SOLIDES, TELS QUE LES MATÉRIAUX DE CONSTRUCTION, LE PAPIER OU LE CARTON À UNE DISTANCE RESPECTUEUSE DE L'APPAREIL DE CHAUFFAGE TEL QU'IL EST RECOMMANDÉ DANS LES INSTRUCTIONS. NE JAMAIS SE SERVIR DE L'APPAREIL DE CHAUFFAGE DANS DES ENDROITS QUI CONTIENNENT OU QUI PEUVENT CONTENIR DES COMBUSTIBLES VOLATILS OU EN SUSPENSION OU DES PRODUITS TELS QUE L'ESSENCE, LES DISSOLVANTS, LES DILUANTS DE PEINTURE, LES PARTICULES DE POUSSIÈRE OU DES PRODUITS CHIMIQUES INCONNUS.

 **AVERTISSEMENT:** NE PAS UTILISER DANS LES DOMICILES OU LES CAMPING-CARS.

### **WARNING**

**AVERTISSEMENT:** Ce produit contient du plomb, un produit chimique qui est connu par l'état de Californie comme étant la cause de cancer et de malformations congénitales ou autres effets nocifs de reproduction.

*Laver vos mains après avoir manipulé ce produit.*

### **AVERTISSEMENT**

Ce produit contient un ou plusieurs produits chimiques qui sont connus par l'état de Californie comme étant la cause de cancer, de défauts de naissance et d'autres problèmes reproductifs.

## INTRODUCTION

Félicitations de l'achat de votre nouveau le chauffage! Vous pouvez être assuré que votre nouveau le chauffage a été construit avec le plus haut niveau de précision et de fiabilité. Chaque composant a été rigoureusement testé par des techniciens pour assurer la qualité, la durabilité et la performance de le chauffage.

Ce manuel opérateur a été dressé pour que vous en retiriez le meilleur parti. Par la lecture et l'application des mesures simples de sécurité, d'installation et d'opération, d'entretien et de dépannage décrites dans ce manuel, votre nouveau le chauffage fonctionnera sans faille pendant de nombreuses années. Le contenu de ce manuel est basé sur la dernière information disponible du produit au moment de la publication. Mi-T-M® se réserve le droit d'effectuer des changements de prix, de couleur, de matériaux, d'équipement, de caractéristiques ou de modèles à tout moment sans communication préalable.



### IMPORTANT!

Les avertissements de sécurité "DANGER, AVERTISSEMENT ou ATTENTION" seront entourés par un "ENCADRE ALERTE SECURITE". Cet encadré est utilisé pour indiquer et souligner les avertissements de sécurité qui doivent être suivis en actionnant ce chauffage d'air. En plus des avertissements de sécurité, des "mots d'alerte" sont utilisés pour indiquer le degré ou niveau de risque. Les "mots d'alerte" utilisés dans ce manuel sont comme suit:

**DANGER: INDIQUE UNE SITUATION AU DANGER IMMINENT QUI, SI ELLE N'EST PAS ÉVITÉE, ENTRAÎNERA LA MORT OU DES BLESSURES GRAVES.**

**AVERTISSEMENT: INDIQUE UNE SITUATION POTENTIELLEMENT DANGEREUSE QUI, SI ELLE N'EST PAS ÉVITÉE, POURRAIT ENTRAÎNER LA MORT OU DES BLESSURES GRAVES.**

**ATTENTION: INDIQUE UNE SITUATION POTENTIELLEMENT DANGEREUSE, QUI, SI ELLE N'EST PAS ÉVITÉE, PEUT ENTRAÎNER DES BLESSURES MINEURES OU PEU GRAVES ET DES DÉGATS AU CHAUFFAGE.**



Les symboles placés à gauche de ce paragraphe sont des "symboles d'alerte de sécurité". Ces symboles sont utilisés pour souligner les points ou les procédures qui pourraient être dangereuses pour vous ou tout autre personne utilisant cet équipement.

Fournissez toujours une copie de ce manuel à toute personne utilisant cet équipement. Lisez toutes les instructions dans ce manuel et toutes instructions fournies par les fabricants d'équipement de support avant d'utiliser ce chauffage d'air et attirer spécialement l'attention aux "Avertissements de Sécurité" pour éviter la possibilité de blessures pour l'utilisateur.

Une fois l'appareil déballé, écrivez immédiatement le numéro de série de votre appareil dans l'espace ci-dessous.

**NUMERO DE SERIE** \_\_\_\_\_



Assurez-vous qu'il n'y a pas de signes de dommages évidents ou cachés suite au transport. En cas de dommage, remplissez immédiatement une réclamation avec la compagnie de transport. Assurez-vous que toutes les pièces endommagées sont remplacées et les problèmes mécaniques et électriques corrigés avant l'utilisation de l'appareil. Si vous avez besoin d'assistance, entrez en contact avec votre service clientèle.

Mi-T-M® Corporation, 8650 Enterprise Drive, Peosta, IA 52068  
563-556-7484 / 800-553-9053 / Fax 563-556-1235  
du lundi au vendredi de 8h00 à 17h, CST (heure centrale)

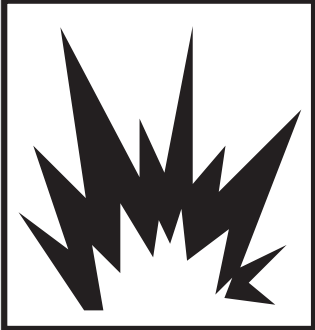

Veuillez avoir les informations suivantes disponibles pour toute intervention:

1. Numéro de modèle
2. Numéro de série
3. Date et lieu d'achat

## IMPORTANTES CONSIGNES DE SECURITE

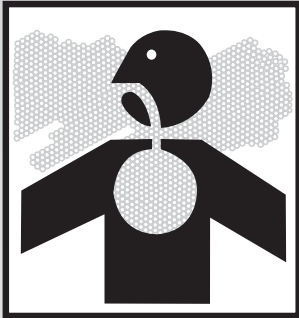
Hazard	Potential Consequence	Prevention
<p style="text-align: center;"><b>RISQUE DE DÉCHARGE ÉLECTRIQUE OU D'ÉLECTROCUTION</b></p> <div style="text-align: center;">  </div>	<p>Des étincelles électriques dans le moteur et l'interrupteur de pression peuvent être la cause de blessures graves ou la mort.</p> <p>Une décharge électrique peut se produire si le chauffage n'est pas utilisé correctement.</p> <p>Des risques de mort ou de blessures graves peuvent survenir si des réparations électriques sont effectuées par des personnes inexpérimentées.</p>	<p>tous les branchements électriques, doivent respecter tous les codes locaux et nationaux.</p> <p>Cet appareil doit être mis à la terre. Connecter le à un disjoncteur mis à la terre si il y en a un de disponible. Si l'appareil s'avère défectueux ou tombe en panne, la mise à la terre offre un trajet de moindre résistance au courant électrique pour réduire le risque de décharges électriques. Ne pas mettre à la terre à une ligne d'alimentation de gaz.</p> <p>Une connexion inappropriée du conducteur de mise à la terre d'équipement peut provoquer un risque d'électrocution. Consulter un électricien qualifié en cas de doute sur la mise à la terre du système.</p> <p>Soyez toujours certain que l'appareil reçoit un voltage correct (+/-5% du voltage inscrit sur la plaque du fabricant). Avant de faire des raccordements électriques, soyez certain que les interrupteurs sont en position d'ARRET (OFF).</p> <p>Garder tous les branchements au sec et au dessus du sol. Ne jamais faire fonctionner le chauffage dans des conditions humides.</p> <p>Toutes réparations ou tout câblage électrique effectués sur le chauffage doivent être effectués par le personnel d'un centre de service autorisé qualifié conformément aux codes d'électricité locaux et nationaux.</p>
<p style="text-align: center;"><b>RISQUE DE BRULURES</b></p> <div style="text-align: center;">  </div>	<p>Le fait de toucher les surfaces de métal exposées peut causer de graves blessure. Ces surfaces peuvent rester chaudes pendant un certain temps après l'arrêt du chauffage.</p>	<p>Le fait de toucher les surfaces de métal exposées peut causer de graves blessure. Ces surfaces peuvent rester chaudes pendant un certain temps après l'arrêt du chauffage.</p>

## IMPORTANTES CONSIGNES DE SECURITE


Hazard	Potential Consequence	Prevention
<p><b>RISQUES D'INCENDIE ET D'EXPLOSION</b></p> <div style="text-align: center;">  </div> <div style="text-align: center;">  </div>	<p>Des étincelles électriques dans le moteur et l'interrupteur de pression peuvent être la cause de blessures graves ou la mort.</p> <p>Des blessures graves peuvent survenir si la prise ou la sortie d'air du chauffage est obstruée..</p> <p>Toujours placer le chauffage sur une surface stable et plane à l'écart des enfants et des animaux.</p>	<p>N'utiliser ce chauffage que dans un endroit bien ventilé libre de vapeurs inflammables, de poussière combustible ou de toute autre matière combustible.</p> <p>Ne jamais placer d'objets devant la prise d'air (à l'arrière) ou la sortie d'air(à l'avant). N'utiliser jamais de système de canalisation d'air à l'avant ou à l'arrière du chauffage. Eloigner du chauffage toutes les matières combustibles.</p> <p>NE JAMAIS bouger ou manipuler le chauffage lorsqu'il est encore chaud.</p> <p>IlLe chauffage peut démarrer à tout moment s'il est équipé d'un thermostat.</p> <p>TOUJOURS placer le chauffage sur une surface stable et plane.</p> <p>TOUJOURS maintenir les enfants et les animaux à l'écart du chauffage</p> <p>L'entreposage de carburant en gros doit être maintenu à une distance d'un minimum de 25 pieds (7,60m) du chauffage.</p> <p>Ne pas diriger l'appareil de chauffage vers une bouteille de gaz propane/GPL si elle n'est pas à une distance d'au moins 20 pieds (6,10 m) de ce dernier.</p>

**AVERTISSEMENT: NE JAMAIS LAISSER L'APPAREIL DE CHAUFFAGE SANS SURVEILLANCE LORSQU'IL FONCTIONNE OU LORSQU'IL EST BRANCHÉ À UNE SOURCE D'ALIMENTATION EN CARBURANT OU D'ÉLECTRICITÉ.**


## IMPORTANTES CONSIGNES DE SECURITE


Hazard	Potential Consequence	Prevention
<p style="text-align: center;"><b>RISQUE DE PROBLEME RESPIRATOIRE</b></p> 	<p>Des blessures graves, voire la mort peuvent survenir si une bonne ventilation n'est pas fournie selon les consignes de ce manuel.</p>	<p>Appareil de chauffage au gaz naturel pulsé et à feu direct. Il est principalement conçu pour fournir un chauffage temporaire pour les bâtiments en construction, sous transformations ou en réparations. Chauffage à feu direct signifie que tous les produits de combustion de l'appareil de chauffage entrent dans l'espace chauffé. Cet appareil a une efficacité de combustion de 98 %, mais produit une petite quantité d'oxyde de carbone. L'oxyde de carbone est toxique. Les humains peuvent tolérer de petites quantités d'oxyde de carbone et des précautions doivent être prises pour fournir une ventilation appropriée. Le fait de ne pas fournir une ventilation appropriée selon ce manuel peut aboutir à la mort.</p> <p>Intoxication à l'oxyde de carbone: Les premiers signes de l'intoxication à l'oxyde de carbone ressemblent aux symptômes de la grippe tels que des maux de tête, des étourdissements, et/ou la nausée. Il est possible que votre chauffage ne marche pas correctement si vous éprouvez ces symptômes.</p> <p>Risque de pollution de l'air intérieur. Utiliser le chauffage seulement dans un endroit bien ventilé. Fournir une ouverture sur de l'air frais d'au moins 2800 cm<sup>2</sup> (3 pi<sup>2</sup>) pour chaque 100 000 BTU/h Fournir de l'air frais supplémentaire si plus d'un chauffage est utilisé.</p> <p>Les personnes avec des problèmes de respiration doivent consulter un médecin avant d'utiliser ce chauffage.</p> <p>Obtenir de l'air frais immédiatement ! Faire entretenir le chauffage. Certaines personnes sont plus atteintes par l'oxyde de carbone que les autres. Ceci inclut les femmes enceintes, les personnes avec des problèmes de cœur ou de poumon, celles sous l'influence d'alcool ou en haute altitude.</p> <p>Ne jamais utiliser ce chauffage dans les espaces d'habitation ou dans les pièces où l'on dort.</p>


## IMPORTANT SAFETY INSTRUCTIONS

 **RISQUE D'INCENDIE, DE BRÛLURE, D'INHALATION ET D'EXPLOSION. GARDER LES COMBUSTIBLES SOLIDES, COMME LES MATÉRIAUX DE CONSTRUCTION, LE PAPIER OU LE CARTON, À UNE DISTANCE SÉCURITAIRE DU CHAUFFAGE, SELON LES RECOMMANDATIONS DE CE MANUEL. NE JAMAIS UTILISER LE CHAUFFAGE DANS DES ENDROITS QUI CONTIENNENT OU POURRAIENT CONTENIR DES MATIÈRES COMBUSTIBLES VOLATILES OU EN SUSPENSION DANS L'AIR, OU ENCORE DES PRODUITS COMME DE L'ESSENCE, DES SOLVANTS, DES DILUANTS À PEINTURE, DES PARTICULES DE POUSSIÈRE OU DES PRODUITS CHIMIQUES INCONNUS.**

 **AVERTISSEMENT: SI LES INFORMATIONS CONTENUES DANS CE MANUEL NE SONT PAS SUIVIES À LA LETTRE, UN INCENDIE OU UNE EXPLOSION PEUVENT SURVENIR ET CAUSER DES DOMMAGES MATÉRIELS, DES BLESSURES OU LA MORT.**

 **AVERTISSEMENT: LIRE L'AVERTISSEMENT DE LA PROPOSITION 65 DE CE MANUEL : LES COMBUSTIBLES UTILISÉS DANS LES APPAREILS ALIMENTÉS AU GAZ, AU BOIS OU À L'HUILE ET LES PRODUITS DE LA COMBUSTION DE CES COMBUSTIBLES CONTIENNENT DES PRODUITS CHIMIQUES RECONNUS PAR L'ÉTAT DE CALIFORNIE POUR CAUSER LE CANCER, DES ANOMALIES CONGÉNITALES ET AUTRES EFFETS NOCIFS SUR LA REPRODUCTION.**

 **AVERTISSEMENT: INSTALLER ET UTILISER CE CHAUFFAGE EN FAISANT ATTENTION. OBSERVER TOUS LES RÉGLEMENTS ET CODES LOCAUX. CONSULTER LE MANUEL DE CODE NATIONAL DE GAZ COMBUSTIBLE NFPA54/ANSI Z223.1 ET LE CODE D'INSTALLATION DE GAZ NATUREL CAN/CGA B149.1. EN L'ABSENCE DE CODES ET RÉGLEMENTS LOCAUX. CES DERNIERS EXPLIQUENT COMMENT MANIPULER ET ENTREPOSER LES GAZ INFLAMMABLES SANS DANGER.**

 **AVERTISSEMENT: N'UTILISER PAS CE CHAUFFAGE AVANT D'AVOIR LU ET COMPLÈTEMENT COMPRIS TOUTES LES PRÉCAUTIONS ET INSTRUCTIONS DE SÉCURITÉ ET DE FONCTIONNEMENT. LE FAIT DE PAS RESPECTER LES PRÉCAUTIONS ET LES INSTRUCTIONS FOURNIES AVEC CET APPAREIL DE CHAUFFAGE PEUT RÉSULTER EN DES DOMMAGES CORPORELS MORTELS OU SÉRIEUX, UNE PERTE DE PROPRIÉTÉ OU DES DOMMAGES DUS À UN INCENDIE, UNE EXPLOSION, DES BRÛLURES, L'ASPHYXIE OU L'EMPOISONNEMENT À L'OXYDE DE CARBONE. SEULES LES PERSONNES QUI PEUVENT LIRE ET COMPRENDRE CES INSTRUCTIONS DOIVENT UTILISER OU ENTREtenir CET APPAREIL DE CHAUFFAGE.**

 **!GARDER CES INSTRUCTIONS!** 



**LES PAGES SUIVANTES CONTIENNENT LES  
CONSIGNES D'UTILISATION ET D'ENTRETIEN.  
NE TENTER PAS DE FAIRE FONCTIONNER CE  
CHAUFFAGE D'AIR AVANT D'AVOIR LU ET  
COMPRIS TOUTES LES PRECAUTIONS ET  
CONSIGNES DE SECURITE CONTENUES DANS  
CE MANUEL.**

**L'UTILISATION INAPPROPRIEE DE CET  
APPAREIL PEUT CAUSER DES BLESSURES  
NE PAS ALTERER OU MODIFIER CET  
EQUIPEMENT EN AUCUNE MANIERE!**

**AVERTISSEMENT: NE JAMAIS LAISSER L'APPAREIL DE CHAUFFAGE  
SANS SURVEILLANCE LORSQU'IL FONCTIONNE OU LORSQU'IL EST  
BRANCHÉ À UNE SOURCE D'ALIMENTATION EN CARBURANT OU  
D'ÉLECTRICITÉ.**

## SPÉCIFICATIONS

<b>Model</b>	<b>MH-0150-NM10</b>
<b>Débit calorifique</b>	150,000
<b>Carburant</b>	Gaz Naturel Seulement
<b>Consommation de gaz</b>	146 Cubic Ft/Hr
<b>Entrée électrique</b>	120V, 60 Hz
<b>Pression du distributeur</b>	3.3"
<b>Ampérages</b>	0.8
<b>Dimensions L x lar x H</b>	25.12" x 9" x 15.5"
<b>Poids kg (lb)</b>	24



## CONSIGNES GÉNÉRALES DE SÉCURITÉ

 **L'UTILISATION INAPPROPRIÉE DE CE CHAUFFAGE PEUT CAUSER DES BLESSURES GRAVES OU MORTELLES SUITE À DES BRÛLURES, UN INCENDIE, UNE EXPLOSION, UNE DÉCHARGE ÉLECTRIQUE ET/OU UN EMPOISONNEMENT AU MONOXYDE DE CARBONE.**

 **AVERTISSEMENT: NE PAS UTILISER AVEC UN SYSTEME DE CANALISATION D'AIR.**

Ne pas utiliser ce chauffage avant d'avoir lu et entièrement compris ces directives de sécurité et d'utilisation. Le non respect des précautions et des instructions fournies avec ce chauffage peut entraîner la mort, des blessures graves, des pertes ou des dommages matériels suite aux risques d'incendie, d'explosion, de brûlures, d'asphyxie ou d'empoisonnement au monoxyde de carbone. Seules des personnes aptes à comprendre et suivre ces instructions doivent utiliser ou entretenir ce chauffage.

Il est impossible de prévoir toutes les circonstances susceptibles de présenter des risques. Les avertissements dans ce manuel et ceux apposés sur l'appareil ne sont donc pas complets. Si on utilise une procédure, une méthode de travail ou une technique d'utilisation qui n'est pas spécifiquement recommandée on doit s'assurer qu'elle est sûre pour soi et pour les autres. S'assurer également que l'équipement ne sera pas endommagé ou rendu non sécuritaire par la méthode d'utilisation ou d'entretien choisie. Cet appareil est conçu et approuvé comme appareil de chauffage pour le travail en bâtiment conformément à ANSI Z83.7-2011/CSA 2.14-2011.

### INFORMATIONS IMPORTANTES SUR LA SÉCURITÉ

1. N'utiliser que l'ensemble régulateur et tuyau fournis avec ce chauffage. Inspecter l'ensemble régulateur/tuyau avant chaque utilisation du chauffage. Si l'abrasion ou l'usure est excessive, ou si le tuyau est coupé, le remplacer par l'ensemble qui convient, illustré dans la liste des pièces, avant d'utiliser le chauffage.
2. Garder les enfants loin.
3. Instructions de mise à la terre. Cet appareil est équipé d'une fiche à trois branches (mise à la terre) pour votre protection contre les risques de choc électrique et doit être branché directement dans une prise de courant ou rallonge électrique à trois branches avec mise à la terre.
4. N'utiliser que du gaz naturel. Ne pas essayer de faire fonctionner l'appareil avec du gaz GPL.
5. NE JAMAIS laisser le chauffage sans surveillance.
6. Ce chauffage est équipé d'un thermostat et peut démarrer à tout moment.
7. NE JAMAIS manipuler ni utiliser un chauffage chaud, car il y a un risque de brûlures graves. Toutes les surfaces exposées peuvent devenir très chaudes pendant le fonctionnement. Toujours laisser le chauffage refroidir pendant au moins 15 minutes avant de le manipuler.
8. Pour éviter les blessures, porter toujours des gants lors du maniement de l'appareil de chauffage.
9. Ne pas modifier le chauffage.
10. utiliser un chauffage qui a été modifié.
11. Couper l'alimentation en gaz naturel du chauffage et le débrancher lorsqu'il ne sert pas.
12. N'utiliser que des pièces de rechange d'origine. Ce chauffage ne doit utiliser que des pièces à caractéristiques spécifiques. Ne pas substituer ou utiliser des pièces de rechange génériques. Des pièces de rechange incorrectes peuvent être la cause de blessures graves ou mortelles.

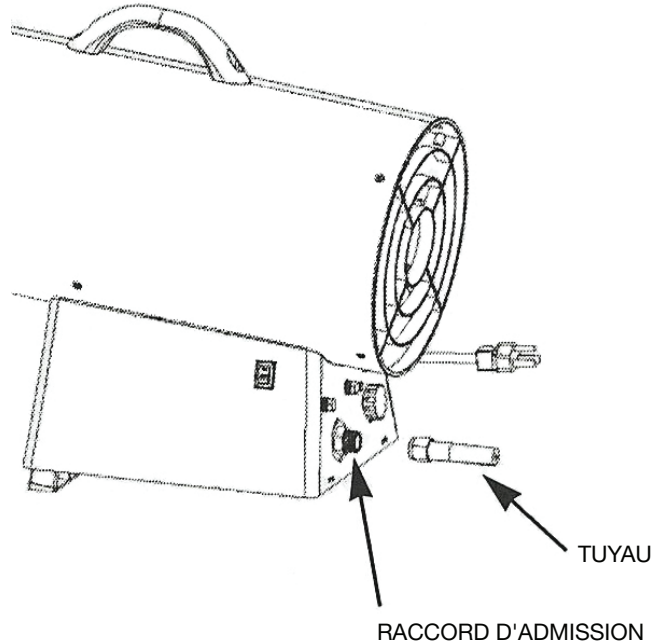
 **AVERTISSEMENT: NE JAMAIS LAISSER L'APPAREIL DE CHAUFFAGE SANS SURVEILLANCE LORSQU'IL FONCTIONNE OU LORSQU'IL EST BRANCHÉ À UNE SOURCE D'ALIMENTATION EN CARBURANT OU D'ÉLECTRICITÉ.**

## INSTALLATION

**⚠ AVERTISSEMENT: S'ASSURER DE LIRE ET COMPRENDRE TOUTES LES INFORMATIONS SUR LA SÉCURITÉ INDIQUÉES DANS CE MANUEL AVANT D'ALLUMER CE CHAUFFAGE.**

**⚠ AVERTISSEMENT: VÉRIFIER TOUS LES RACCORDS AVEC UNE SOLUTION D'EAU ET DE SAVON 50/50 POUR S'ASSURER QU'ILS SONT SERRÉS ET SANS FUITES. SI DES BULLES APPARAISSENT, IL Y A UNE FUIITE. EN CAS DE FUIITE, COUPER L'ALIMENTATION DE GAZ ET RÉPARER LE RACCORD QUI FUIT.**

1. Fournir le système d'alimentation en gaz naturel (Voir Alimentation en gaz naturel).
2. Raccorder toute la tuyauterie et les raccords à la source basse pression de gaz naturel. Cette source doit être réglée à un maximum de ½ PSI et la tuyauterie doit être d'un diamètre intérieur minimum de ¾ de pouce et ne doit pas dépasser 10 pieds (3,04 m) de longueur.
3. Aligner le bout fileté femelle du tuyau avec le raccord sur la base du chauffage et serrer.
4. Ouvrir lentement le robinet d'alimentation en gaz naturel.
5. Vérifier que tous les raccords sont libres de fuites.



**⚠ AVERTISSEMENT: APRÈS AVOIR INSTALLÉ TOUTES LES CANALISATIONS DE GAZ ET AVOIR FAIT TOUS LES BONS RACCORDS, S'ASSURER QU'IL N'Y A PAS DE FUITES. APPLIQUER UN MÉLANGE EN QUANTITÉ ÉGALE D'EAU ET DE SAVON VAISSELLE À TOUS LES RACCORDS. SI DES BULLES APPARAISSENT, IL Y A UNE FUIITE. RÉPARER TOUTES LES FUITES IMMÉDIATEMENT.**

6. Couper l'alimentation en gaz naturel.

**⚠ INTOXICATION À L'OXYDE DE CARBONE: LES PREMIERS SIGNES DE L'INTOXICATION À L'OXYDE DE CARBONE RESSEMBLENT AUX SYMPTÔMES DE LA GRIPPE TELS QUE DES MAUX DE TÊTE, DES ÉTOURDISSEMENTS, ET/OU LA NAUSÉE. IL EST POSSIBLE QUE VOTRE CHAUFFAGE NE MARCHE PAS CORRECTEMENT SI VOUS ÉPROUVEZ CES SYMPTÔMES.**

### DÉGAGEMENTS

Les dégagements minimum à la sortie est de 8 pieds. Minimum de dessus, d'arrière et de côtés de 2 pi., Dessus 6 pi.

**⚠ AVERTISSEMENT: NE JAMAIS LAISSER L'APPAREIL DE CHAUFFAGE SANS SURVEILLANCE LORSQU'IL FONCTIONNE OU LORSQU'IL EST BRANCHÉ À UNE SOURCE D'ALIMENTATION EN CARBURANT OU D'ÉLECTRICITÉ.**

# FONCTIONNEMENT

## THEORIE DE FONCTIONNEMENT

**Système d'alimentation en carburant:** Le tuyau s'étend de l'alimentation en gaz jusqu'à l'appareil de chauffage lui-même. Après être passé par le tuyau, le gaz passe par l'électrovalve et ressort par le gicleur dans la chambre de combustion.

**Système d'air:** Le moteur interne fait tourner le ventilateur, ce qui pousse l'air dans et autour de la chambre de combustion. Ici, l'air est chauffé et fournit un flux constant de chaleur.

**Système d'allumage:** Le module étincelle envoie du courant à l'allumeur. L'allumeur allume le mélange de carburant et d'air.

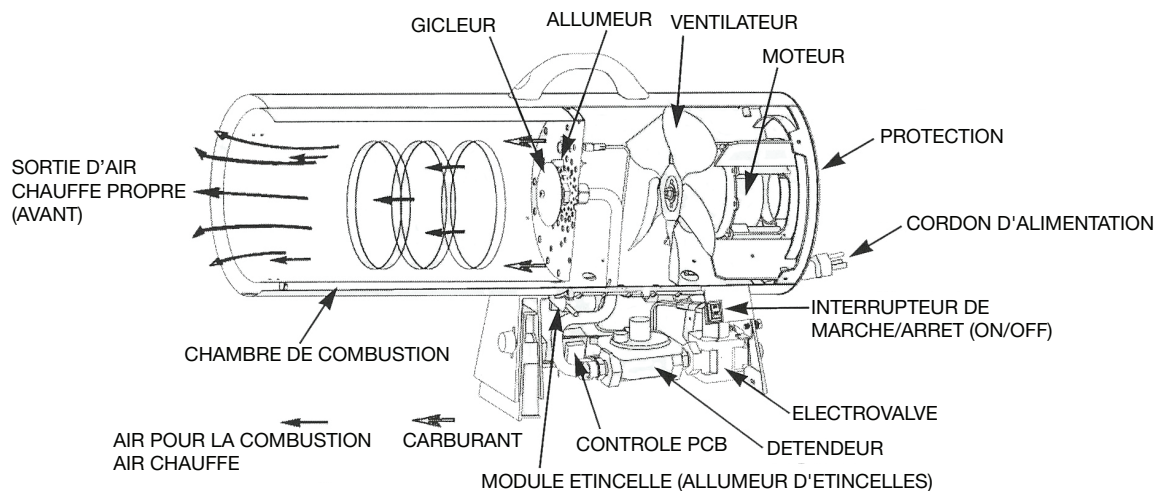
**Système de Contrôle de Sécurité:** Ce système arrête le chauffage si la flamme s'éteint. Le ventilateur et le moteur continuent de fonctionner mais le chauffage n'émet pas de chaleur.

**Système de Contrôle de Température:** Un thermostat intégré permet au chauffage de s'allumer et de s'éteindre afin de maintenir une température constante.

## ALIMENTATION EN GAZ NATUREL

L'utilisateur de ce chauffage doit fournir l'alimentation en gaz naturel et tous les raccords pour bien installer le chauffage.

L'alimentation en gaz naturel doit pouvoir fournir un minimum de 150 pieds cube de gaz pour chaque heure d'utilisation du chauffage. Consulter votre fournisseur en gaz naturel pour la bonne taille de toutes les canalisations de gaz. Il faut régler l'alimentation en gaz naturel entre un minimum de 5 pouces de colonne d'eau jusqu'à un maximum de ½ PSI.



## VENTILATION

Toujours prévoir une ouverture d'air frais dans l'espace chauffé d'au moins 3 pieds carrés (2,800 cm<sup>2</sup>) pour chaque 100,000 BTU/heure de chauffage. S'assurer toujours qu'il y a une bonne ventilation avant de démarrer ce chauffage.

**⚠ NE JAMAIS LAISSER UN RADIATEUR SANS SURVEILLANCE LORSQU'IL BRULE OU LORSQU'IL EST BRANCHE A UNE SOURCE D'ALIMENTATION.**

## POUR DÉMARRER LE CHAUFFAGE

1. Respecter toutes les consignes de ventilation, d'installation et de sécurité contenues dans ce manuel.
2. Placer l'appareil de chauffage sur une surface stable et plane. S'assurer que des courants d'air ne soufflent pas dans la prise ou la sortie d'air de l'appareil de chauffage

**⚠ AVERTISSEMENT: NE JAMAIS LAISSER L'APPAREIL DE CHAUFFAGE SANS SURVEILLANCE LORSQU'IL FONCTIONNE OU LORSQU'IL EST BRANCHÉ À UNE SOURCE D'ALIMENTATION EN CARBURANT OU D'ÉLECTRICITÉ.**

## FUNCTIONNEMENT

3. Brancher le cordon d'alimentation de l'appareil de chauffage dans une rallonge électrique tri filaire avec mise à la terre. S'assurer que la rallonge électrique mesure au moins 6 pieds (1,80 m) et qu'elle est de classe UL.

Jusqu'à 50 pieds (15m), utiliser une rallonge de calibre 18 AWG.

De 51 à 100 pieds de longueur (15,50 à 30,50m), utiliser une rallonge de calibre 16 AWG.

De 101 à 200 pieds de longueur (30,8 à 61 m), utiliser une rallonge de calibre 14 AWG.

4. Tout en respectant les critères de calibre, brancher la rallonge électrique dans une prise de courant à trois branches de 120 volts/60 hertz avec mise à la terre.
5. Ouvrir lentement le robinet d'alimentation de gaz.
6. Tourner l'interrupteur de marche/arrêt (on/off) jusqu'à la position de marche (ON). Régler le thermostat à la température désirée. Si le chauffage ne démarre pas, le thermostat est peut être réglé à une température trop basse. Sélectionner une température de consigne plus élevée et démarrer le chauffage.

*Note: Placer l'interrupteur de marche/arrêt en position d'arrêt (OFF) si le chauffage ne s'allume pas. Attendre que le système de contrôle de sécurité se réarme (normalement en 10 secondes) et essayer de nouveau.*

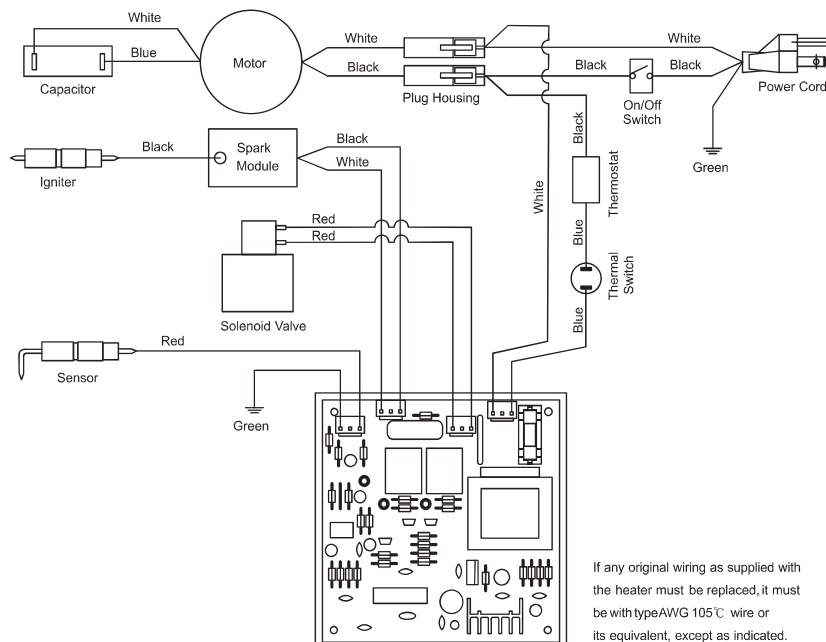
*Note: Si cela ne marche pas, l'interrupteur de Haute Température s'est peut être enclenché pendant que le thermostat se mettait à l'arrêt. Attendre 10 à 15 minutes afin de permettre à l'interrupteur de se réarmer, puis réessayer d'allumer le chauffage. Des pannes continues indiquent un problème du système. Faire entretenir le chauffage par un professionnel.*

## POUR ARRETER L'APPAREIL DE CHAUFFAGE

1. Couper l'alimentation en gaz en fermant le robinet fermement.
2. Après quelques secondes, le chauffage brûlera le gaz qui reste dans la canalisation d'alimentation.
3. Tourner l'interrupteur de marche/arrêt jusqu'à la position d'arrêt (OFF)
4. Débrancher le chauffage de la source d'alimentation.

**AVERTISSEMENT: NE JAMAIS LAISSER L'APPAREIL DE CHAUFFAGE SANS SURVEILLANCE LORSQU'IL FONCTIONNE OU LORSQU'IL EST BRANCHÉ À UNE SOURCE D'ALIMENTATION EN CARBURANT OU D'ÉLECTRICITÉ.**

## WIRING DIAGRAM



## ENTRETIEN

### ENTRETIEN ET ENTREPOSAGE

**⚠ AVERTISSEMENT: NE JAMAIS TENTER DE RÉPARER LE CHAUFFAGE SEC ET SÉCURITAIRE, ALORS QU'IL EST ENCORE EN MARCHÉ, ENCORE CHAUD OU RACCORDÉ À L'ALIMENTATION EN GAZ. DES BRÛLURES SÉVÈRES PEUVENT SE PRODUIRE.**

1. Inspecter le chauffage avant chaque utilisation. Vérifier tous les raccords pour y détecter des fuites, en suivant la procédure indiquée. Vérifier le tuyau du régulateur pour y détecter des fissures des brisures ou de l'usure. Si le tuyau est endommagé, le remplacer par une pièce correspondante du fabricant.
2. Toujours garder propre l'intérieur et l'extérieur du chauffage. Nettoyer le chauffage annuellement ou aussi souvent que nécessaire afin de retirer poussière ou débris. Essuyer le chauffage avec un chiffon humide lorsqu'il devient sale.
3. S'assurer que l'intérieur de l'appareil de chauffage ne contient aucune substance combustible et aucun corps étranger.
4. Faire inspecter le chauffage chaque année par du personnel de service qualifié.

### PROCÉDURES D'ENTRETIEN

**⚠ AVERTISSEMENT: NE JAMAIS TENTER DE RÉPARER LE CHAUFFAGE SEC ET SÉCURITAIRE, ALORS QU'IL EST ENCORE EN MARCHÉ, ENCORE CHAUD OU RACCORDÉ À L'ALIMENTATION EN GAZ. DES BRÛLURES SÉVÈRES PEUVENT SE PRODUIRE.**

#### RETIRER LE COUVERCLE DE PROTECTION

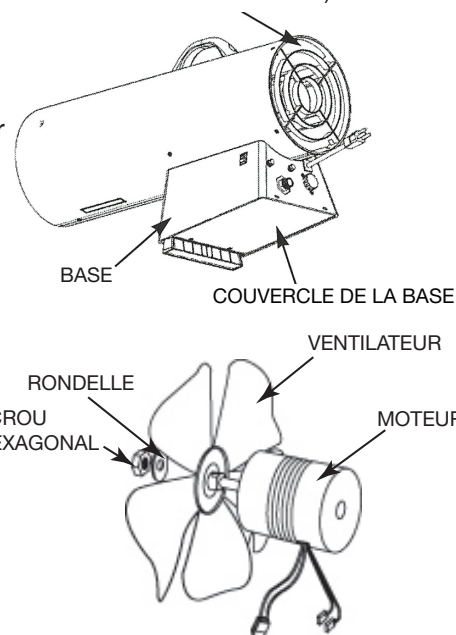
1. Retirer le fond de la base en bas du chauffage.
2. Retirer la protection du ventilateur.

#### VENTILATEUR

**Important:** Enlever toujours le ventilateur de l'arbre du moteur avant d'enlever l'assemblage du moteur du chauffage. Ceci évite d'endommager le ventilateur.

1. Retirer le fond de la base.
2. Retirer la protection du ventilateur.
3. Retirer la base.
4. Débrancher les fils de sortie raccordés au moteur.
5. Retirer l'assemblage du moteur.
6. Desserrer la vis de fixation du ventilateur en utilisant une clé hexagonale de 1/8 pouces, puis retirer le ventilateur.
7. Nettoyer soigneusement les pales du ventilateur en faisant attention à ne pas les tordre à l'aide d'un linge doux légèrement mouillé avec du kérosène ou du solvant de nettoyage.
8. Sécher le ventilateur avec un chiffon propre.
9. Assembler le ventilateur sur l'arbre du moteur et bien serrer les écrous hexagonaux (attention de ne pas trop les serrer).
10. Rebrancher les fils de sortie comme illustré sur le schéma des connexions.
11. Réassembler la base, la protection du ventilateur et le fond de la base.

PROTECTION (AVEC ASSEMBLAGE DU VENTILATEUR ET MOTEUR)



#### ALLUMEUR

Le seul entretien nécessaire pour l'allumeur est de s'assurer que l'écartement entre les électrodes est maintenu à 0.14 pouces (3,5 mm). L'allumeur est accessible par la chambre de combustion.

#### ENTRETIEN

**⚠ ATTENTION: TOUJOURS COUPER L'ALIMENTATION EN GAZ DU CHAUFFAGE.**

1. Replacer les couvercles en plastique par-dessus les raccords à l'endroit où ils étaient lors du désemballage initial du chauffage.
2. Entreposer le chauffage dans un endroit sec, propre et sûr.
3. Vérifier toujours à l'intérieur du chauffage pour tous débris ou saletés laissés par des araignées ou des petits animaux lorsque vous le retirez de son endroit d'entreposage. S'assurer que l'intérieur de l'appareil de chauffage est propre et ne contient aucune substance combustible et aucun corps étranger.

## DÉPANNAGE

### SYMPTÔME

---

Le ventilateur ne tourne pas lorsque la connexion électrique est effectuée

### CAUSE(S) POSSIBLE(S)

---

1. Pas d'alimentation électrique au chauffage
2. La pale du ventilateur entre en contact avec l'intérieur de l'enveloppe du chauffage
3. Pale(s) de ventilateur pliée(s)
4. Moteur du ventilateur défectueux

### ACTION CORRECTIVE

---

1. Vérifier la tension vers la prise électrique. Si la tension est correcte, vérifier le cordon d'alimentation et la rallonge pour y détecter des coupures ou des brisures
2. S'assurer que le boîtier n'est pas endommagé. S'assurer qu'aucune obstruction n'entrave le ventilateur
3. Redresser la ou les lames pour qu'elles correspondent aux autres
4. Remplacer le moteur

---

Le chauffage ne s'allume pas.

- 
1. Aucune étincelle au niveau de l'allumeur
  2. Écart de bougie incorrect
  3. Électrode défectueuse

- 
1. Vérifier le fil de l'allumeur. Réattacher ou serrer si desserré. Vérifier le module à étincelles. Remplacer au besoin. Vérifier tous les composants électriques
  2. Régler l'écart à 3,5 mm
  3. Remplacer la bougie d'allumage)

---

Le chauffage s'éteint pendant qu'il fonctionne

- 
1. Température interne trop élevée, ce qui déclenche l'interrupteur et éteint l'appareil
  2. Robinet de commande endommagé
  3. Accumulation de poussière ou de débris à l'intérieur du chauffage

- 
1. Si le débit du chauffage est restreint, la température interne devient trop élevée. Déplacer le chauffage pour l'éloigner de toute obstruction
  2. Remplacer le robinet de commande
  3. Nettoyer l'intérieur du chauffage



## GARANTIE LIMITÉE

Mi-T-M garantit à l'acheteur au détail d'origine seulement que ce chauffage sera exempt de défauts de matière et de fabrication pendant une période d'un an à partir de la date de l'achat initial. Ce produit doit être installé, entretenu et utilisé correctement, en conformité avec les instructions fournies.

Mi-T-M exige une preuve raisonnable de la date d'achat chez un détaillant ou un distributeur autorisé. Il vous faut donc conserver votre preuve d'achat, facture ou chèque annulé pour l'achat d'origine. Cette garantie limitée couvre uniquement la réparation ou le remplacement des pièces jugées défectueuses dans des conditions d'utilisation et d'entretien normales pendant la période de garantie et Mi-T-M se réserve le droit de déterminer ceci à sa seule discrétion. Cette garantie ne couvre pas les pièces d'usure: filtres, ailettes, gicleurs et rotors.

Cette garantie limitée ne couvre pas toute défaillance ou difficulté d'utilisation résultant d'un usage normal, d'une usure normale, d'un accident, d'un abus, d'une mauvaise utilisation, d'une altération, d'un mauvais usage, d'une installation inadéquate ou encore d'une réparation ou d'un entretien inadéquats par vous ou par une quelconque tierce partie. Le fait de négliger d'effectuer l'entretien normal et de routine de ce chauffage, les dommages causés lors de l'expédition de l'expéditeur ou reliés à des insectes, des oiseaux ou des animaux ou encore à tout autre dommage résultant des conditions météorologiques ne sont pas couverts par cette garantie. En outre, cette garantie limitée ne couvre pas les dommages au fini, comme les égratignures, les encoches, la décoloration, la rouille ou d'autres dommages résultant des conditions météorologiques, et survenus après l'achat.

Tous les frais de transport pour le retour de produits ou de pièces endommagés doivent être défrayés par l'acheteur. Sur réception de l'article endommagé, Mi-T-M examinera l'article en question et déterminera s'il est défectueux. Mi-T-M réparera ou remplacera et retournera l'article frais de port payés. Si Mi-T-M détermine que l'article est dans un état d'utilisation normale, ou n'est pas défectueux, il sera retourné fret payable à l'arrivée. Cette garantie limitée remplace toute autre garantie explicite. Mi-T-M renonce à toute garantie de produits achetés de vendeurs autres que des détaillants ou distributeurs autorisés.

APRÈS UNE PÉRIODE D'UN (1) AN CETTE GARANTIE EXPRESSE EXPIRE, MI-T-M RENONCE À TOUTE GARANTIE IMPLICITE INCLUANT, MAIS SANS S'Y LIMITER, TOUTE GARANTIE IMPLICITE DE QUALITÉ MARCHANDE OU D'ADAPTATION À UN USAGE PARTICULIER. EN OUTRE, MI-T-M N'EST AUCUNEMENT RESPONSABLE ENVERS L'ACHETEUR OU ENVERS TOUTE TIERCE PARTIE POUR UN QUELCONQUE DOMMAGE INDIRECT, PUNITIF, CONNEXE OU FORTUIT. Mi-T-M n'assume aucune responsabilité pour un quelconque défaut causé par une tierce partie. Cette garantie limitée donne à l'acheteur des droits légaux spécifiques; un acheteur pourrait jouir d'autres droits selon de la juridiction où il réside. Certaines juridictions ne permettent pas l'exclusion ou la limitation des dommages spéciaux, indirects ou fortuits ou des limitations sur la durée d'une garantie; les limitations ci-dessus pourraient donc ne pas s'appliquer à votre cas.

Mi-T-M n'autorise aucune personne ou aucune entreprise à assumer pour elle une quelconque obligation ou responsabilité autre reliée à la vente, l'installation, l'utilisation, l'enlèvement, le retour ou le remplacement de ces équipements et aucune telle représentation ne lie en quelque manière Mi-T-M

Toujours s'assurer de spécifier le numéro de modèle et le numéro de série lors de toute demande à Mi-T-M


Pour service ou considération de garantie, contactez  
Mi-T-M® Corporation, 8650 Enterprise Drive, Peosta, IA 52068  
563-556-7484 / 800-553-9053 / Fax 563-556-1235  
du lundi au vendredi, de 8h00 à 17h00, CST (heure centrale)






## TABLE OF CONTENTS

INTRODUCTION .....	34
ADVERTENCIAS IMPORTANTES DE SEGURIDAD .....	35
ESPECIFICACIONES.....	40
INFORMACIÓN DE SEGURIDAD GENERAL .....	41
INSTALACIÓN.....	42
OPERACIÓN .....	43
MANTENIMIENTO .....	45
LOCALIZACION DE FALLAS .....	46
GARANTIA LIMITADA .....	47

 **ADVERTENCIA GENERAL DE RIESGO: EL FRACASO DE CUMPLIR CON LAS PRECAUCIONES E INSTRUCCIONES PROVEIDAS CON ESTA CALENTADORA PUEDE CAUSAR LA MUERTE, HERIDOS MUY GRAVES, EL DAÑO O PÉRDIDA DE PROPIEDAD POR LOS RIESGOS DE FUEGO, EXPLOSIÓN, QUEMADURA, ASFIXIA, ENVENENAMIENTO DEL MONÓXIDO DE CARBONO, Y/O CHOQUE ELÉCTRICO.**

**SOLO LAS PERSONAS QUE PUEDEN ENTENDER Y SEGUIR LAS INSTRUCCIONES DEBEN UTILIZAR O MANTENER SERVICIO DE ESTA CALENTADORA.**

**SI NECESITA ASISTENCIA, AYUDA O INFORMACIÓN DE LA CALENTADORA COMO UN MANUAL DE INSTRUCCIONES, ETIQUETA, ETC., SE PONGA EN CONTACTO CON EL FABRICANTE.**

 **ADVERTENCIA: PELIGRO DE INCENDIO, QUEMADURA, INHALACIÓN Y EXPLOSIÓN. MANTENGA LOS COMBUSTIBLES SÓLIDOS COMO, POR EJEMPLO, MATERIALES DE CONSTRUCCIÓN, PAPEL Y CARTÓN, A UNA DISTANCIA PRUDENCIAL DEL CALENTADOR SEGÚN LO RECOMIENDAN LAS INSTRUCCIONES. NUNCA USE LA CALENTADORA EN ESPACIOS QUE CONTENGAN O PUEDAN CONTENER COMBUSTIBLES VOLÁTILES O EN SUSPENSIÓN EN EL AIRE NI PRODUCTOS COMO, POR EJEMPLO, GASOLINA, DISOLVENTES, SOLVENTES DE PINTURA, PARTÍCULAS DE POLVO O QUÍMICOS DESCONOCIDOS.**

 **ADVERTENCIA: NO PARA USO EN LA CASA O VEHÍCULO RECREACIONAL**

### **WARNING**

**ADVERTENCIA:** Este producto tiene plomo, una sustancia química conocida al Estado de California a causar cáncer y defectos de nacimiento u otro daño reproductivo.

***Lávese las manos después de usar este producto.***

### **ADVERTENCIA**

Este producto contiene química conocida por el estado de California a causar cáncer, defectos de nacimiento, y otros peligros reproductivos.

## INTRODUCCION

¡Felicitaciones por la compra de su nueva compresor de aire eléctrico! Puede estar seguro que su compresor de aire eléctrico fue construida con el nivel más. Cada componente ha sido probado rigurosamente por técnicos para asegurar la calidad, la resistencia y el rendimiento de esta unidad.

Este manual del operador fue compilado para su beneficio. Leyendo y siguiendo los pasos simples de seguridad, instalación, operación, mantenimiento y localización de fallas descritos en este manual ayudará a prolongar aun más la operación libre de fallas que usted puede esperar de su compresor de aire eléctrico. El contenido de este manual está basado en la información actualizada disponible al momento de la publicación. Mi-T-M® se reserva el derecho de efectuar cambios en precio, color, materiales, equipo, especificaciones o modelos en cualquier momento sin previo aviso.

### ¡IMPORTANTE!

Estos párrafos están rodeados por una “CASILLA DE ALERTA DE SEGURIDAD”. Esta casilla se usa par designar y enfatizar las Advertencias de Seguridad que deben seguirse al operar esta lavadora a presión. Acompañando a las Advertencias de Seguridad están las “palabras de alerta” que designan el grado o nivel de seriedad de riesgo. Las “palabras de alerta” usadas en este manual son las siguientes:

**PELIGRO:** Indica una situación inminente riesgosa la cual, si no se evita, RESULTARA en la muerte o en lesiones graves.

**ADVERTENCIA:** Indica una situación potencialmente riesgosa la cual, si no se evita, PODRIA resultar en la muerte o en lesiones graves.

**PRECAUCION:** Indica una situación potencialmente riesgosa la cual, si no se evita PUEDE resultar en lesiones menores o moderadas.



El símbolo indicado a la izquierda de este párrafo es el “Símbolo de Alerta de Seguridad”. Este símbolo se usa para alertarlo acerca de artículos o procedimientos que podrían ser peligrosos para usted u otras personas usando este equipo.

**PROVEA SIEMPRE UNA COPIA DE ESTE MANUAL A CUALQUIER PERSONA QUE USE ESTE EQUIPO. LEA TODAS LAS INSTRUCCIONES ANTES DE OPERAR ESTA LAVADORA A PRESION, OBSERVANDO EN PARTICULAR LAS “ADVERTENCIAS DE SEGURIDAD” PARA EVITAR LA POSIBILIDAD DE LESIONES PERSONALES AL OPERADOR.**

Escriba el número de serie de su unidad en el espacio provisto abajo, una vez que la unidad haya sido desempacada.

**NUMERO DE SERIE** \_\_\_\_\_



Inspeccione por daño el contenido de la caja. Si algo parece dañado, **NO LADEVUELVAAL LUGAR DE COMPRA.** Llame a su representante de servicio al cliente de al 800-553-9053.

Por favor tenga disponible la información siguiente para todas las llamadas de servicio:

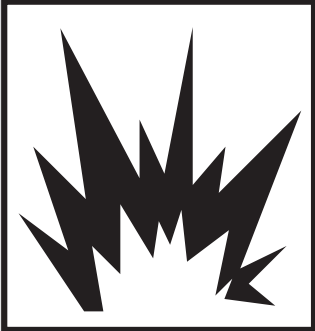

1. Número de modelo
2. Número de serie
3. Fecha y lugar de compra

Mi-T-M® Corporation  
8650 Enterprise Drive  
Peosta, IA 52068-0050

## ADVERTENCIAS IMPORTANTES DE SEGURIDAD

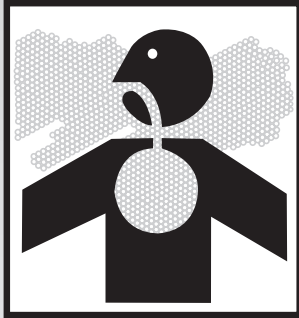
Hazard	Potential Consequence	Prevention
<p style="text-align: center;"><b>RIESGO DE DESCARGAS ELÉCTRICAS O ELECTROCUCIÓN</b></p> <div style="text-align: center;">  </div>	<p>Una incorrecta conexión a tierra del compresor de aire puede causar lesiones graves o incluso la muerte. Su compresor de aire es alimentado por corriente eléctrica que puede causar descargas eléctricas o electrocución, si no se usa correctamente.</p> <p>Las descargas eléctricas pueden ocurrir si no se usa correctamente el compresor de aire.</p> <p>Reparaciones de partes eléctricas realizadas por personal incapacitado puede causar lesiones graves o incluso la muerte.</p>	<p>La instalación de esta unidad, incluyendo todas las conexiones eléctricas, debe conformarse con todo el local, estado y códigos nacionales.</p> <p>Este producto debe ser puesto a tierra. Conecte con un interruptor de GFCI cuando esta' disponible. Si funciona incorrectamente la unidad o interrupción, el poner a tierra proporciona una trayectoria de menos resistencia para la corriente eléctrica para reducir el riesgo de la descarga eléctrica. No mueva a una línea de fuente de gas.</p> <p>La conexión incorrecta del conductor equipo-que pone a tierra puede dar lugar a un riesgo del electrocution. Compruebe con un electricista o un personal de servicio cualificado si usted es en duda si el sistema está puesto a tierra correctamente.</p> <p>Esté siempre seguro que la unidad está recibiendo voltaje apropiado Antes de instalar conexiones eléctricas, esté seguro que los interruptores están en la posición de "off".</p> <p>Mantenga todas las conexiones secas y de la tierra.</p> <p>No usar sin las protecciones de seguridad/coberturas o si éstas están dañadas.</p> <p>Cualquier operación de cableado o reparación eléctrica en debe ser realizado por personal autorizado, conforme a las normas eléctricas locales y nacionales.</p>
<p style="text-align: center;"><b>RIESGO DE QUEMADURAS</b></p> <div style="text-align: center;">  </div>	<p>La herida grave podría ocurrir de tocar partes metálicas expuestas. Estas áreas pueden quedarse caliente durante un tiempo después de que la calentadora sea apagada.</p>	<p>Asegurarse que ninguna parte del cuerpo o de otros materiales entre en contacto con las partes metálicas expuestas del compresor de aire.</p>

## ADVERTENCIAS IMPORTANTES DE SEGURIDAD






Hazard	Potential Consequence	Prevention
<p><b>RIESGO DE EXPLOSIÓN O DE INCENDIO</b></p> <div style="text-align: center;">     </div>	<p>Normales chispas eléctricas del motor y del interruptor de presión pueden causar lesiones graves e incluso la muerte.</p> <p>La herida grave puede ocurrir la entrada o salida del aire de la calentadora son bloqueadas.</p> <p>SIEMPRE mantenga la calentadora en una superficie de establo y nivel. SIEMPRE mantenga a niños y animales lejos de calentadora.</p>	<p>Siempre opere calentadora en un área bien ventilada libre de vapores inflamables, polvo combustible, los gases u otras materias combustibles.</p> <p>Nunca ponga los objetos enfrente de entrada del aire (trasero) ni salida de aire (frente) de calentadora. Nunca utilice el trabajo de conducto en la frente ni en trasero de calentadora. Mantenga toda materia combustible lejos de esta calentadora.</p> <p>Si equipado con un termostato, la calentadora puede comenzar en tiempo.</p> <p>SIEMPRE mantenga la calentadora en una superficie de establo y nivel.</p> <p>SIEMPRE mantenga a niños y animales lejos de calentadora.</p> <p>El almacenaje del combustible de bulto debería ser un mínimo de 25 pies de la calentadora.</p> <p>No descargue la calentadora hacia un cilindro de propano a menos que esté por lo menos 20 pies de la calentadora.</p>

**⚠ NUNCA DEJE DESATENDIDO EL CALENTADOR MIENTRAS ESTE ESTE ENCENDIDO O ESTE CONECTADO A UNA FUENTE DE ALIMENTACION.**

## ADVERTENCIAS IMPORTANTES DE SEGURIDAD

Hazard	Potential Consequence	Prevention
<p style="text-align: center;"><b>RIESGOS A LA RESPIRACIÓN</b></p> <div style="text-align: center;">  </div>	<p>La herida o la muerte graves podrían ocurrir del fracaso para tener ventilación apropiada según este manual.</p>	<p>Esta es una calentadora del aire forcido que use queroseno y directo-despidió. El uso principal es para la calefacción temporaria de edificios en construcción, la modificación o la reparación. Los medios de directo-despidió que todos los productos de combustión de la calentadora entran el espacio calentado. Este aparato es valorado en 98% de eficiencia de combustión, pero produce cantidades pequeñas de monóxido de carbono. El monóxido de carbono es tóxico. Los humanos pueden tolerar cantidades pequeñas de monóxido de carbono, y las precauciones deben ser tomadas para proporcionar ventilación apropiada. El fracaso para proporcionar ventilación apropiada según este manual puede tener como resultado la muerte.</p> <p>Si no se suministra la adecuada ventilación indicada en este manual, se puede ocasionar la muerte. Las primeras etapas de intoxicación por monóxido de carbono producen síntomas similares a los de la gripe. Los síntomas que puede sufrir si la ventilación no es la adecuada son: * dolor de cabeza * mareo * irritación de la nariz y los ojos * náusea * boca seca * irritación de la garganta</p> <p>La abertura debe tener al menos 0.28 m<sup>2</sup> por cada 100,000 Btu de capacidad máxima.</p> <p>Las personas con problemas de respirar deben consultar a un médico antes de utilizar la calentadora. El Envenenamiento del Monóxido de carbono:</p> <p>¡Consiga aire fresco inmediatamente!</p> <p>La calentadora necesita atención pronto. Algunas personas son afectadas mas por monóxido de carbono que otros. Estos incluyen a mujeres embarazadas, éstos con problemas del corazón o problemas pulmonares, con la anemia, o con éstos ebrio, o a grandes altitudes. Nunca utilice esta calentadora en áreas de vivienda ni áreas durmientes.</p>

## ADVERTENCIAS IMPORTANTES DE SEGURIDAD

-  PELIGRO DE INCENDIO, QUEMADURA, INHALACIÓN Y EXPLOSIÓN. MANTENGA LOS COMBUSTIBLES SÓLIDOS COMO, POR EJEMPLO, MATERIALES DE CONSTRUCCIÓN, PAPEL Y CARTÓN, A UNA DISTANCIA PRUDENCIAL DEL CALENTADOR SEGÚN LO RECOMIENDAN LAS INSTRUCCIONES. NUNCA USE EL CALENTADOR EN ESPACIOS QUE CONTENGAN O PUEDAN CONTENER COMBUSTIBLES VOLÁTILES O EN SUSPENSIÓN EN EL AIRE NI PRODUCTOS COMO, POR EJEMPLO, GASOLINA, DISOLVENTES, SOLVENTES DE PINTURA, PARTÍCULAS DE POLVO O QUÍMICOS DESCONOCIDOS.
-  SI NO SE OBSERVA EXACTAMENTE LA INFORMACIÓN CONTENIDA EN ESTE MANUAL, PUEDE PRODUCIRSE UN INCENDIO O UNA EXPLOSIÓN QUE, A SU VEZ, PUEDE OCASIONAR DAÑOS MATERIALES, LESIONES PERSONALES O PÉRDIDA DE VIDAS.
-  ADVERTENCIA DE LA PROPUESTA 65: LOS COMBUSTIBLES UTILIZADOS EN LOS ARTEFACTOS QUE FUNCIONAN CON GAS, MADERA O ACEITE Y LOS PRODUCTOS DE COMBUSTIÓN DE ESOS COMBUSTIBLES CONTIENEN SUSTANCIAS QUÍMICAS QUE EL ESTADO DE CALIFORNIA RECONOCE COMO CAUSANTES DE CÁNCER, MALFORMACIONES CONGÉNITAS Y OTROS DAÑOS REPRODUCTIVOS.
-  ADVERTENCIA: INSTALE Y UTILICE EL CALENTADOR CON CUIDADO. SIGA TODAS LAS ORDENANZAS Y CÓDIGOS LOCALES. EN LA AUSENCIA DE ORDENANZAS Y CODIGOS LOCALES, REFIERA AL MANUAL NACIONAL NFPA54/ANSI Z223.1 DEL CÓDIGO DEL GAS DE COMBUSTIBLE Y AL CÓDIGO DE LA INSTALACIÓN DEL GAS NATURAL, CAN/CGA B149.1 ESTOS INSTRUYEN EN EL ALMACENAJE Y LA DIRECCIÓN SEGUROS DE GASES INFLAMABLES.
-  NO FUNCIONE ESTE CALENTADOR HASTA QUE USTED HA LEÍDO Y ENTENDIDO A FONDO ESTAS INSTRUCCIONES DE SEGURIDAD Y DE FUNCIONAMIENTO. LA FALTA DE CONFORMARSE CON LAS PRECAUCIONES Y LAS INSTRUCCIONES PROPORCIONADO CON ESTE CALENTADOR PUEDE RESULTAR EN LA MUERTE, A LESIÓN CORPORAL SERIA, A PÉRDIDA DE LA PROPIEDAD O A DAÑO DE LOS PELIGROS DEL FUEGO, DEL ENVENENAMIENTO DE MONÓXIDO CARBONO, DE LA EXPLOSIÓN, DE LAS QUEMADURAS, O DE LA ASFIXIA. SOLAMENTE LAS PERSONAS QUE PUEDEN LEER Y ENTENDER ESTAS INSTRUCCIONES DEBEN UTILIZAR O REPARAR ESTE CALENTADOR.

 ¡GUARDE ESTAS INSTRUCCIONES! 

## **ADVERTENCIA**

**LAS PAGINAS SIGUIENTES CONTIENEN INSTRUCCIONES DE OPERACION Y MANTENIMIENTO**

**NO TRATE DE OPERAR ESTA LAVADORA A PRESION HASTA QUE HAYA LEIDO Y ENTENDIDO TODAS LAS PRECAUCIONES E INSTRUCCIONES DE SEGURIDAD LISTADAS EN ESTE MANUAL.**

**¡¡LA OPERACION INCORRECTA DE ESTA UNIDAD PUEDE CAUSAR LESIONES GRAVES!!**

**¡¡DE NINGUNA MANERA ALTERE O MODIFIQUE ESTE EQUIPO!!**

**NUNCA DEJE DESATENDIDO EL CALENTADOR MIENTRAS ESTE ESTE ENCENDIDO O ESTE CONECTADO A UNA FUENTE DE ALIMENTACION.**

## ESPECIFICACIONES

<b>Modelo</b>	<b>MH-0150-NM10</b>
<b>Capacidad de entrada</b>	150,000
<b>Combustible</b>	Gas natural solamente
<b>Consumo de gas</b>	146 Cubic Ft/Hr
<b>Entrada Eléctrica</b>	120V, 60 Hz
<b>Presión del múltiple</b>	3.3"
<b>Amperaje</b>	0.8
<b>Tamaño L x A x Al (cm)</b>	25.12" x 9" x 15.5"
<b>Peso Kg (Lb)</b>	24



## INFORMACIÓN DE SEGURIDAD GENERAL

 **ADVERTENCIA: EL USO IMPROPIO DE ESTA CALENTADORA PUEDE RESULTAR CON HERIDA O MUERTE GRAVES DE QUEMADURAS, EL FUEGO, LA EXPLOSION, GOLPE ELECTRICO Y/O ENVENENAMIENTO DE MONOXIDO DE CARBONO.**

 **ADVERTENCIA: NO ES PARA USO CON SISTEMA DE VENTILACIÓN DE ESCAPE.**

Lea detenida y completamente este Manual del usuario antes de intentar usar o darle mantenimiento a este calentador. El uso inadecuado del calentador puede ocasionar lesiones graves o la muerte debido a incendio, explosión o envenenamiento por monóxido de carbono.

Toda posible circunstancia que podría implicar un peligro no puede ser anticipada. Las advertencias que aparecen en este manual y en la unidad no cubren por tanto todo. Si se utiliza un procedimiento, método de trabajo o técnica de operación no específicamente recomendado por Pinnacle, usted deberá asegurarse que es seguro para usted y para otros. También deberá asegurarse que no se dañará el equipo ni se hará éste inseguro por el método de operación o mantenimiento que usted elija. Esta calentadora está diseñada y aprobada para el uso como una calentadora de construcción de acuerdo con ANSI Z83.7-2011/CSA 2.14-2011.

### IMPORTANT SAFETY INFORMATION

1. Las conexiones de suministro de gas deben revisarse usando una solución de 50/50 de agua y jabón. Nunca use una llama para verificar la presencia de fugas de gas.
2. Los niños deben mantenerse lejos.
3. Electrical grounding instructions. This appliance is equipped with a three prong (grounding) plug for your protection against shock hazard and should be plugged directly into a properly grounded three-prong receptacle or extension cord.
4. Utilice solamente el gas natural. No procure funcionar encendido el gas del LP.
5. NUNCA deje desatendido el calentador.
6. Este calentador tiene un termostato. Es posible que el calentador empiece a cualquier momento.
7. NUNCA manipule el calentador mientras está encendido o caliente; podría ocasionarle quemaduras graves. Si el calentador está encendido, todas sus superficies alcanzan una temperatura muy alta. Antes de manipularlo, deje enfriar por espacio mínimo de 15 minutos.
8. Para prevenir herida, siempre lleva guantes cuando manejar calentadora.
9. No modifique el calentador ni utilice
10. Calentador que haya sido modificado.
11. Apague la fuente de gas natural al calentador y desenchúfela cuando no la utilice.
12. Utilice Ud. solamente las piezas de repuestos originales. Este calentador tiene que utilizar piezas específicos al diseño. No las sustituya ni utilice piezas genéricas.

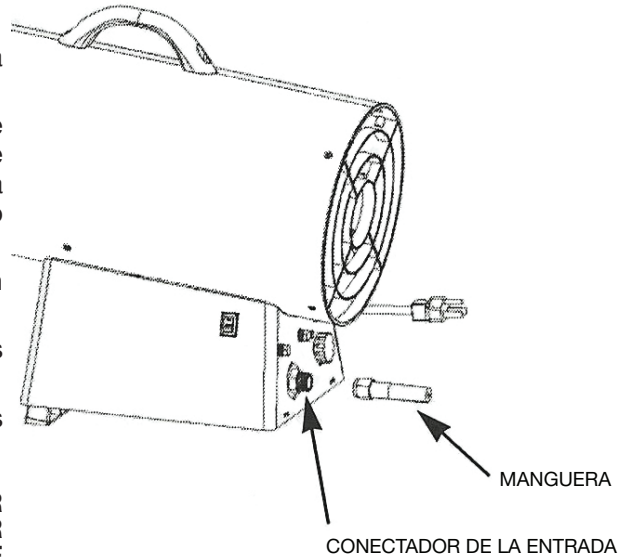
 **ADVERTENCIA: NUNCA DEJE DESATENDIDA LA CALENTADORA MIENTRAS ESTE ENCENDIDO O ESTE CONECTADA A UNA FUENTE ELÉCTRICO/ DE ALIMENTACIÓN, O CUANDO ESTE CONECTADA A UNA FUENTE DE COMBUSTIBLE.**

## INSTALACIÓN

**⚠ ADVERTENCIA: ASEGÚRESE DE LEER Y COMPRENDER TODA LA INFORMACIÓN DE SEGURIDAD CONTENIDA EN ESTE MANUAL ANTES DE ENCENDER EL CALENTADOR.**

**⚠ ADVERTENCIA: SI SOSPECHA QUE HAY FUGAS, CIERRE INMEDIATAMENTE LA VÁLVULA DEL CILINDRO DE PROPANO. ¡NO UTILICE UNA LLAMA PARA VERIFICAR LA PRESENCIA DE FUGAS! UTILICE UNA SOLUCIÓN DE PARTES IGUALES DE AGUA Y JABÓN LAVAPLATOS PARA VERIFICAR LA PRESENCIA DE FUGAS. REPARE TODAS LAS FUGAS ANTES DE VOLVER A ENCENDER EL CALENTADOR.**

1. Proporcione el sistema del fuente del gas natural (mira La Fuente del Gas Natural).
2. Conecte toda la plomería y guarniciones con la fuente de baja presión del gas natural. Esta fuente tiene que ser regulado a un máximo de el 1/2 PSI, y la tubería debe ser un mínimo del diámetro 3/4 interior, y no estar sobre 10 pies en longitud.
3. Alinee el extremo roscado femenino de la manguera con la guarnición en la base del calentador y apriételo.
4. Abra lentamente la válvula en la fuente de gas natural.
5. Compruebe para saber si hay escapes en todas las conexiones.



**⚠ ADVERTENCIA: DESPUES DE INSTALAR TODA LA TUBERÍA DE GAS, Y HACER LAS CONEXIONES APROPRIADAS, ESTÉ SEGURO COMPROBAR PARA SABER SI HAY ESCAPES. APLIQUE UNA MEZCLA DE 50/50 DEL JABÓN Y DEL AGUA DEL PLATO A TODAS LAS CONEXIONES. LA FORMACIÓN DE BURBUJAS INDICAN QUE HAY UN ESCAPE. ESTÉ SEGURO A REPARAR TODOS LOS ESCAPES AL MISMO TIEMPO.**

6. Cierre Ud. la fuente del gas natural.

**⚠ LOS SIGNOS TEMPRANOS DE ENVENENAMIENTO DE MONÓXIDO DE CARBONO SE PARECEN A SÍNTOMAS QUE SON SIMILARES AL GRIPE COMO DOLORES DE CABEZA, AL MAREO, Y/O A LA NÁUSEA. SI USTED TIENE ESTOS SÍNTOMAS, SU CALENTADORA NO PUEDE ESTAR TRABAJANDO APROPIADAMENTE.**

### SEPARACIONES

Las separaciones mínimas al enchufe son 8 pies. Mínimo de la tapa, de la parte posterior y de los lados de 2 pies, tapa 6 pies.

**⚠ ADVERTENCIA: NUNCA DEJE DESATENDIDA LA CALENTADORA MIENTRAS ESTE ENCENDIDO O ESTE CONECTADA A UNA FUENTE ELÉCTRICO/ DE ALIMENTACIÓN, O CUANDO ESTE CONECTADA A UNA FUENTE DE COMBUSTIBLE.**

# OPERACIÓN

## TEORÍA DE OPERACIÓN

**El Sistema de Combustible:** La tubería funciona a la fuente del gas natural al calentador. Después de funcionar el gas por la tubería, pase por la válvula solenoid y afuera del inyector hasta alcance la cámara de combustión.

**El Sistema del Aire:** El motor interno vira al ventilador, que en turno empuja el aire alrededor y a través de la cámara de combustión. Aquí el aire se calienta y proporciona una corriente constante del calor.

**Sistema de ignición:** El módulo de la chispa envía voltaje al ignitor. El ignitor enciende la mezcla del combustible y del aire.

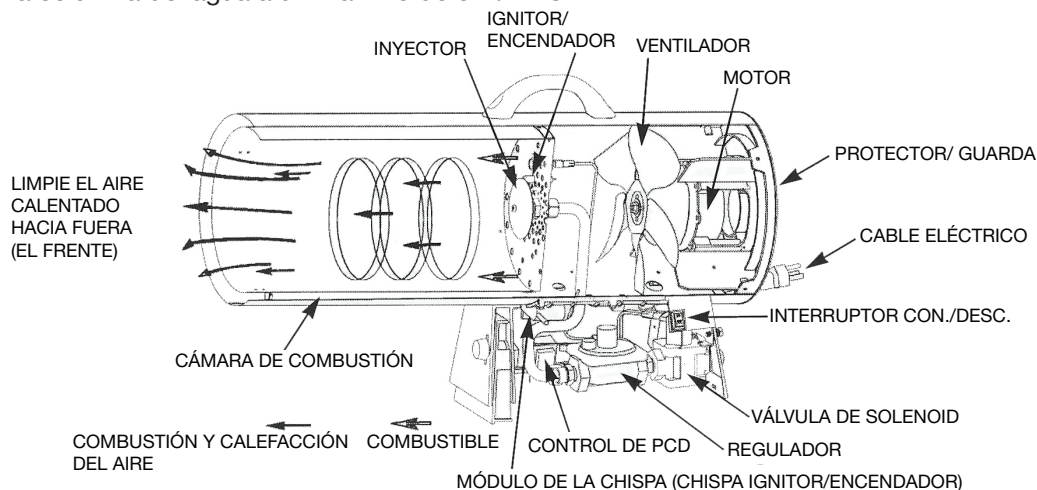
**Sistema de control de seguridad:** Este sistema cortará el calentador si se extingue la llama. El ventilador y el motor continuarán funcionando, pero no habrá ningún calor.

**Sistema de control de la temperatura:** Un termostato incorporado permite que el calentador enciende/ abre y corta por intervalos para mantener una temperatura constante.

## LA FUENTE DEL GAS NATURAL

La persona que utilice este calentador debe proporcionar la fuente de gas natural y todas las guarniciones para instalar correctamente el calentador.

La fuente de gas natural debe poder proporcionar un mínimo de 150 pies cúbicos de gas por la hora para cada calentador que está utilizado. Consulte con su gas natural proveído para el apresto apropiado de todas las líneas de gas. Usted debe regular la fuente de gas natural abajo del mínimo de 5 pulgadas de la columna del agua a un máximo de el 1/2 PSI.



**⚠ NUNCA DEJE DESATENDIDO EL CALENTADOR MIENTRAS ESTE ESTE ENCENDIDO O ESTE CONECTADO A UNA FUENTE DE ALIMENTACION.**

## VENTILACION

El riesgo de contaminación atmosférica interior. Solo utilice la calentadora en áreas con bien ventiladas. Siempre proporcione un aire fresco que abre en el espacio calentado de por lo menos tres pies cuadrados (2.800 cuadrado cm) para cada 100.000 BTU/HORA. de salida de calentadora. Siempre esté seguro a proporcionar la ventilación apropiada antes de apagar y empezar el calentador.

## TO START HEATER

1. Siga todas instrucciones de seguridad, de instalación y ventilación en este manual.
2. Posicione la calentadora en una superficie de establo y nivel, y esté seguro que ningunos giros soplan en la cala ni la salida de la calentadora.

**⚠ ADVERTENCIA: NUNCA DEJE DESATENDIDA LA CALENTADORA MIENTRAS ESTE ENCENDIDO O ESTE CONECTADA A UNA FUENTE ELÉCTRICO/ DE ALIMENTACIÓN, O CUANDO ESTE CONECTADA A UNA FUENTE DE COMBUSTIBLE.**

## OPERACIÓN

3. Tape el cable de alimentación de la calentadora en un tres asidero molió alargador. Está seguro que el alargador es por lo menos 6 pies de largo, y es de un listó de UL.

Hasta 50 pies de largo, usa un cuerda de valor de 18 AWG.

51 a 100 pies de largo, usa cuerda de valor de 16 AWG.

101 a 200 pies de largo, usa cuerda de valor de 14 AWG.

4. Siguiendo los requisitos de alargador, tapan el alargador en una salida de tierra de tres asidero con 120 voltio/60 herts.
5. Abra lentamente la válvula de suministro de combustible.
6. Gire interruptor a la posición de ON/OFF. Fije al termostato a la temperatura deseada. La colocación del termostato puede ser demasiado baja si calentadora no comienza. Seleccione una temperatura de mas alta y comience la calentadora.

*Nota: Si el calentador no enciende, el interruptor con./desc. de la vuelta a la posición de reposo. Espere el control de seguridad para reajustar (generalmente cerca de 10 segundos) y para intentar otra vez.*

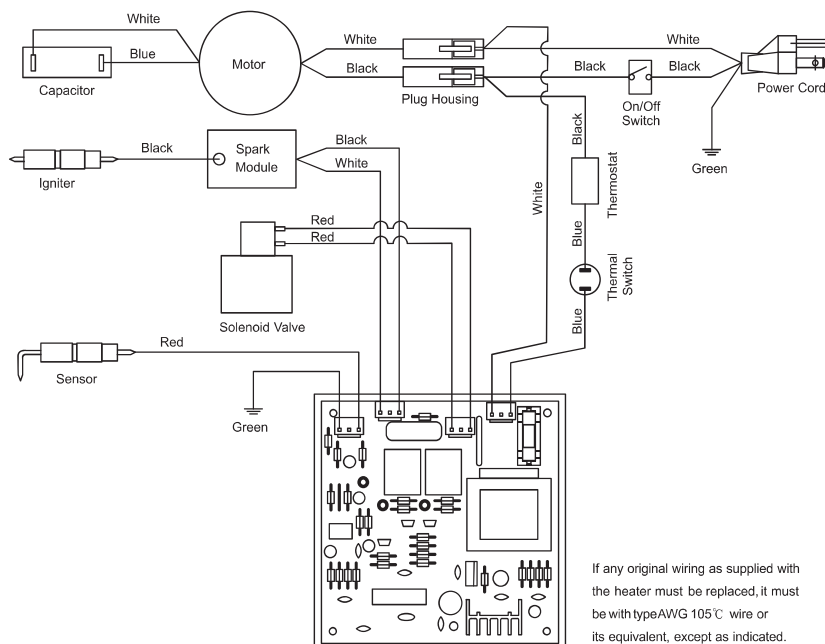
*Nota: Si este plan no funciona, Es posible que el interruptor de alta temperatura ABRIÓ mientras que el termóstato cerraba. espere 10 a 15 minutos para el interruptor al reajuste, entonces procura encender el calentador. Las interrupciones continuadas indican un problema de sistema, hacen que la unidad sea mantenida por un profesional.*

## PARA CERRAR EL CALENTADOR

1. Apague la fuente de gas cerrando la válvula firmemente.
2. Después de algunos segundos, el calentador consumirá el gas que fue dejado en la línea de fuente.
3. Ponga el interruptor con./desc. a la posición de reposo/ desconectado.
4. Desconecte el calentador de fuente de poder/ propulsa.

**⚠ ADVERTENCIA: NUNCA DEJE DESATENDIDA LA CALENTADORA MIENTRAS ESTE ENCENDIDO O ESTE CONECTADA A UNA FUENTE ELÉCTRICO/ DE ALIMENTACIÓN, O CUANDO ESTE CONECTADA A UNA FUENTE DE COMBUSTIBLE.**

## WIRING DIAGRAM



# MANTENIMIENTO

## MANTENIMIENTO Y ALMACENAMIENTO

**⚠️ ADVERTENCIA: ¡NUNCA DAR SERVICIO A LA CALENTADOR MIENTRAS ESTA CONECTADO NI MIENTRAS CALIENTE!**

1. Examine el calentador antes de usar. Verifique la presencia de fugas en todas las conexiones siguiendo el procedimiento descrito. Repare los escapes inmediatamente.
2. Mantenga siempre limpio el calentador, por fuera y por dentro. Limpie el calentador anualmente, o cuando es necesario para quitar cualquier polvo o ruina. Cuando el calentador llega a ser sucio, límpielo con un trapo húmedo.
3. Guarde el interior del calentador de objetos extranjeros y de combustibles.
4. Haga examinar el calentador por un técnico calificado una vez al año.

## PROCEDIMIENTOS DE SERVICIO

**⚠️ ADVERTENCIA: NUNCA MANTENGA EL CALENTADOR MIENTRAS QUE ES CALIENTE, FUNCIONANDO O CONECTADO CON EL SUMINISTRO DE GAS. LAS QUEMADURAS SEVERAS O EL CHOQUE ELÉCTRICO PUEDEN OCURRIR.**

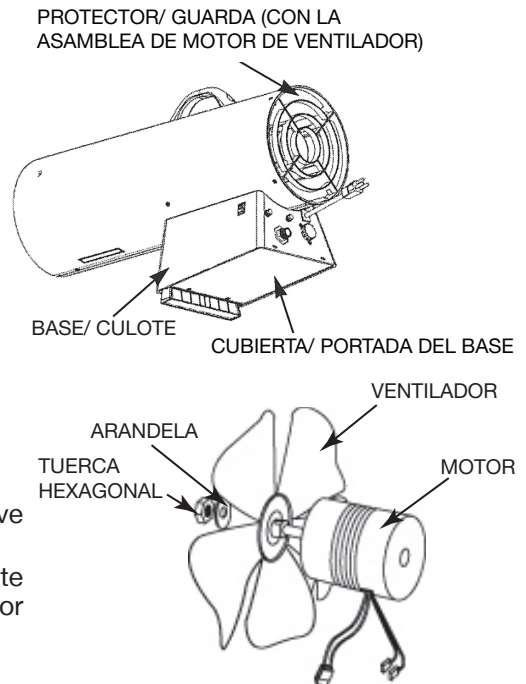
### QUITAR LA CUBIERTA/PORTADA PROTECTORA

1. Quite el base inferior en el fondo del calentador.
2. Quite el protector del ventilador.

### VENTILADOR

**Importante:** Siempre quite el ventilador del eje del motor antes de quitar el montaje de motor del calentador. Esto ayudará a prevenir daño al ventilador.

1. Quite el base inferior.
2. Quite el protector del ventilador.
3. Quite el base.
4. Desconecte los alambres del plomo unidos al motor.
5. Quite el montaje de motor.
6. Afloje el tornillo de presión del ventilador usando un 1/8 " llave de tuerca hexagonal, y quite el ventilador.
7. Usar un trapo suave humedecido con keroseno o un disolvente limpiador, limpie cuidadosamente las aspas del ventilador cerciorándose de no doblarlas.
8. Seque el ventilador con trapo limpio.
9. Monte el ventilador en el eje del motor y apriete las tuercas de tuerca hexagonal firmemente (tenga cuidado de no apretar demasiado).
10. Reconecte los alambres del plomo como demostración en diagrama eléctrico.
11. Remonte la base, el protector del ventilador y la base inferior.



### IGNITOR

El único mantenimiento necesario para el ignitor es estar seguro que el boquete entre los electrodos está guardado en 0.14 ". El ignitor es accesible a través de la cámara de combustión.

### ALMACENAJE

**⚠️ PRECAUCIÓN: DESCONECTE SIEMPRE EL CALENTADOR DE FUENTE DE GAS**

1. Reemplace los tapones plásticos sobre las guarniciones que fueron instalados cuando usted desempaquetó originalmente su calentador.
2. Almacene el calentador en una localización segura, limpia y seca.
3. Al quitar el calentador de almacenaje, compruebe siempre dentro del calentador para objetos extranjeros dejados por las arañas o los animales pequeños. Mantenga el interior del calentador limpio de objetos extranjeros y de combustibles.

## LOCALIZACION DE FALLAS

### SÍNTOMA

### CAUSA(S) POSIBLE(S)

### MEDIDA CORRECTIVA

El ventilador no gira cuando se le conecta la energía eléctrica

1. El calentador no recibe alimentación eléctrica.
2. El aspa del ventilador hace contacto con la parte interior del alojamiento del calentador
3. El aspa(s) del ventilador está doblada
4. El motor del ventilador está defectuoso

1. Verifique la corriente en el tomacorriente. Si el voltaje es correcto, inspeccione el cordón de alimentación para ver si está cortado o está roto
2. Asegúrese que el alojamiento no esté dañado. Asegúrese que el ventilador no esté obstruido
3. Enderece el aspa(s) para que quede como las otras
4. Reemplace el motor

El calentador no se enciende

1. No hay chispa en el encendedor
2. Separación de chispa incorrecta
3. Electrodo dañado

1. Inspeccione el conductor del encendedor. Reconéctelo o apriételo si está suelto. Revise el módulo de chispa. Reemplace según sea necesario. Revise todos los componentes eléctricos
2. Ajuste la separación a 4.1 mm (0.16 pulg.)
3. Reemplace la bujía

El calentador se apaga cuando está funcionando

1. La temperatura interior es demasiado alta y causa que el interruptor limitador apague la unidad
2. Válvula de control dañada
3. Hay polvo o restos de material acumulados dentro del calentador

1. Si se restringe la salida del calentador, la temperatura interior sube demasiado. Mueva el calentador lejos de toda obstrucción
2. Reemplace la válvula de control
3. Limpie el interior del calentador



## GARANTIA LIMITADA

Garantía limitada de protemp. Por un año. Mi-T-M le garantiza al Usuario original que los modelos tratados en este manual de los calentadores de aceite portátiles Protemp® están libres de defectos en la mano de obra o el material, cuando se les somete a uso Normal, por un año a partir de la fecha de compra. Cualquier parte que se halle defectuosa, ya sea en el material o en la mano de obra, y sea devuelta (con los costos de envío pagados por Adelantado) a un centro de servicio autorizado designado por Mi-T-M, será reparada o reemplazada (no existe otra posibilidad) según lo determine Mi-T-M. Para obtener información sobre los procedimientos de reclamo cubiertos en la garantía limitada, vea la sección "atención oportuna" que aparece más adelante. Esta garantía limitada confiere al comprador derechos legales específicos que varían de jurisdicción a jurisdicción. No incluye artículos de uso: filtros, las veletas, las boquillas y los rotores.

Límites de responsabilidad. En la medida en que las leyes aplicables lo permitan, la responsabilidad de Mi-T-M por los daños emergentes o incidentales está expresamente excluida. La responsabilidad de Mi-T-M expresamente está limitada y no puede exceder el precio de compra pagado por el artículo. Exclusión de responsabilidad de la garantía. Se han hecho esfuerzos diligentes para proporcionar información e ilustraciones apropiadas sobre el producto en este manual; sin embargo, esta información y las ilustraciones tienen como único propósito la identificación del producto y no EXPRESEAN NI IMPLICAN GARANTÍA DE QUE LOS PRODUCTOS SEAN VENDIBLES O ADECUADOS PARA UN PROPÓSITO EN PARTICULAR NI QUE SE AJUSTAN NECESARIAMENTE A LAS ILUSTRACIONES O DESCRIPCIONES. CON EXCEPCIÓN DE LO QUE SE ESTABLECE A CONTINUACIÓN, MI-T-M NO HACE NI AUTORIZA NINGUNA GARANTÍA O AFIRMACIÓN DE HECHO, EXPRESA O IMPLÍCITA, QUE NO SEA ESTIPULADA EN LA "GARANTÍA LIMITADA" ANTERIOR. Consejo Técnico y Recomendaciones, Exclusiones de Responsabilidad. A pesar de las prácticas, negociaciones o usos comerciales realizados previamente, las ventas no deberán incluir el suministro de consejo técnico o asistencia o diseño del sistema. Mi-T-M no asume ninguna obligación o responsabilidad por recomendaciones, opiniones o consejos no autorizados sobre la elección, instalación o uso de los productos. Adaptación del Producto. Muchas jurisdicciones tienen códigos o regulaciones que rigen la venta, la construcción, la instalación y/o el uso de productos para ciertos propósitos que pueden variar con respecto a los aplicables a las zonas vecinas. Si bien se trata de que los productos Mi-T-M cumplan con dichos códigos, no se puede garantizar su conformidad y no se puede hacer responsable por la forma en que se instale o use su producto. Antes de comprar y usar el producto, revise su aplicación y todos los códigos y regulaciones nacionales y locales aplicables y asegúrese de que el producto, la instalación y el uso los cumplan. Ciertos aspectos de limitación de responsabilidad no se aplican a productos al consumidor; es decir (a) algunas jurisdicciones no permiten la exclusión ni limitación de daños incidentales o consecuentes, de modo que las limitaciones o exclusiones anteriores quizás no apliquen en su caso; (b) asimismo, algunas jurisdicciones no permiten limitar el plazo de una garantía implícita, por lo tanto, la limitación anterior quizás no aplique en su caso; y (c) por ley, mientras la Garantía Limitada esté vigente no podrán excluirse ni limitarse en modo alguno ninguna garantía implícita de comercialización o de idoneidad para un propósito en particular aplicables a los productos al consumidor adquiridos por éste. Atención Oportuna. Se hará un esfuerzo de buena fe para corregir puntualmente, o hacer otros ajustes, con respecto a cualquier producto que resulte defectuoso dentro de los términos de esta garantía limitada. En el caso de que encuentre un producto defectuoso y que esté cubierto dentro de los límites de esta garantía haga el favor de escribir primero, o llame, al distribuidor a quien le compró el producto. El distribuidor le dará las instrucciones adicionales. Si no puede resolver el problema en forma satisfactoria, escriba a Mi-T-M a la dirección a continuación, dando el nombre del distribuidor, su dirección, la fecha y el número de la factura del distribuidor y describa la naturaleza del defecto. La propiedad del artículo y el riesgo de pérdida pasan al comprador en el momento de la entrega del artículo a la compañía de transporte. Si el producto se daña durante el transporte, debe presentar su reclamo a la compañía transportista.

**For Service or Warranty Consideration, contact  
Mi-T-M® Corporation, 8650 Enterprise Drive, Peosta, IA 52068  
563-556-7484 / 800-553-9053 / Fax 563-556-1235  
Monday - Friday 8:00 a.m. - 5:00 p.m. CST**

Manufactured by Mi-T-M  
8650 Enterprise Drive, Peosta IA 52068  
563-556-7484/ Fax 563-556-1235