

HMT-4004-OMGH
HOT WATER TRAILER
OPERATOR'S MANUAL



**CAUTION
RISK OF INJURY!**

READ MANUAL BEFORE OPERATING!

This manual is an important part of the hot water trailer and must remain with the unit when you sell or rent it!

INTRODUCTION..... 3

IMPORTANT 3

IMPORTANT SAFETY INSTRUCTIONS..... 4

HMT-4004-0MGH FEATURES 10

INSTALLATION & PREPARATION..... 11

WARNING 18

OPERATING INSTRUCTIONS 19

STORAGE & MAINTENANCE..... 23

TROUBLESHOOTING 26

MAINTENANCE CHART TRAILER..... 28

MAINTENANCE CHART PRESSURE WASHER..... 29

⚠ WARNING

⚠ **WARNING:** This product can expose you to chemicals including Lead, which is known to the State of California to cause cancer and birth defects or other reproductive harm. For more information go to www.P65Warnings.ca.gov

⚠ WARNING

⚠ **WARNING:** This product can expose you to chemicals including carbon monoxide, which is known to the State of California to cause birth defects or other reproductive harm. For more information go to www.P65Warnings.ca.gov

INTRODUCTION

Congratulations on the purchase of your new hot water trailer! You can be assured your hot water trailer was constructed and designed with quality and performance in mind. Each component has been rigorously tested to ensure the highest level of acceptance.

This operator's manual was compiled for your benefit. By reading and following the simple safety, installation, operation, maintenance and troubleshooting steps described in this manual, you will receive years of trouble free operation from your new hot water trailer. The contents of this manual are based on the latest product information available at the time of publication. The manufacturer reserves the right to make changes in price, color, materials, equipment, specifications or models at any time without notice.

! IMPORTANT !

These paragraphs are surrounded by a "SAFETY ALERT BOX". This box is used to designate and emphasize Safety Warnings that must be followed when operating this pressure washer. Accompanying the Safety Warnings are "signal words" which designate the degree or level of hazard seriousness. The "signal words" used in this manual are as follows:

DANGER: Indicates an imminently hazardous situation which, if not avoided, **WILL** result in death or serious injury.

WARNING: Indicates a potentially hazardous situation which, if not avoided, **COULD** result in death or serious injury.

CAUTION: Indicates a potentially hazardous situation which, if not avoided, **MAY** result in minor or moderate injury.



The symbols set to the left of this paragraph are "Safety Alert Symbols." These symbols are used to call attention to items or procedures that could be dangerous to you or other persons using this equipment.

ALWAYS PROVIDE A COPY OF THIS MANUAL TO ANYONE USING THIS EQUIPMENT. READ ALL INSTRUCTIONS BEFORE OPERATING THIS PRESSURE WASHER AND ESPECIALLY POINT OUT THE "SAFETY WARNINGS" TO PREVENT THE POSSIBILITY OF PERSONAL INJURY TO THE OPERATOR. ONLY TRAINED OPERATORS SHOULD USE THIS PRODUCT!

Once the unit has been removed from the box, immediately write in the serial number of your unit in the space provided below.

SERIAL NUMBER _____



Inspect for signs of obvious or concealed freight damage. If damage does exist, file a claim with the transportation company immediately. Be sure that all damaged parts are replaced and the mechanical and electrical problems are corrected prior to operation of the unit. If you require service, contact your Customer Service Representative.

Please have the following information available for all service calls:

1. Model Number
2. Serial Number
3. Date and Place of Purchase



IMPORTANT SAFETY INSTRUCTIONS

READ ALL SAFETY WARNINGS BEFORE USING PRESSURE WASHER

HAZARD	POTENTIAL CONSEQUENCE	PREVENTION
<p style="text-align: center;">RISK OF EXPLOSION OR FIRE</p> <div style="text-align: center;">   </div>	<p>Serious injury or death may occur from normal sparks in the multiple ignition sources or engine/burner exhaust.</p> <p>Serious injury or death may occur as a result of improper fueling.</p> <p>Serious injury or death may occur from the battery.</p>	<p>Always operate pressure washer in a well ventilated area free of flammable vapors, combustible dust, gases or other combustible materials.</p> <p>Do not store the pressure washer near an open flame or any equipment such as a stove, furnace, water heater, etc., which utilizes a pilot light or sparking device.</p> <p>Do not use this pressure washer to spray flammable material!</p> <p>Do not smoke while filling fuel tanks.</p> <p>Never fill the fuel tanks while the engine is running or hot. Allow the engine to cool two minutes before refueling.</p> <p>Do not refuel indoors or in a poorly ventilated area.</p> <p>Always refuel slowly to avoid the possibility of spilled fuel which may cause a risk of fire.</p> <p>Engine Fuel Tank: If using a Gasoline Engine, refuel with gasoline only. Do not use diesel or fuel oil.</p> <p>Burner Fuel Tank: When refueling the Burner Fuel Tank, use No. 1 or No. 2 fuel oil/diesel or kerosene. Do not use gasoline, crankcase drainings, or oil containing gasoline or solvents.</p> <p>Do not operate the unit if gasoline or diesel fuel is spilled. Wipe the pressure washer clean and move it away from the spill. Avoid creating any ignition until the gasoline or diesel fuel has evaporated.</p> <p>When the battery is being activated, hydrogen and oxygen gases in the battery are extremely explosive. Keep open sparks and flames away from the battery at all times, especially when charging the battery.</p> <p>Be certain to disconnect the battery ground terminal before servicing. When disconnecting the cable from the battery, start with the negative terminal, and when connecting them, start with the positive cable.</p> <p>When charging the battery, remove the battery vent plugs.</p> <p>Use only a voltmeter or hydrometer to check a battery charge.</p> <p>DO NOT jump start the battery unless both batteries are of equal voltage and amperage.</p>

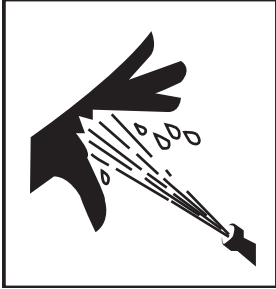

IMPORTANT SAFETY INSTRUCTIONS

READ ALL SAFETY WARNINGS BEFORE USING PRESSURE WASHER

HAZARD	POTENTIAL CONSEQUENCE	PREVENTION
<p style="text-align: center;">RISK OF FIRE</p> 	<p>Serious injury or death may occur from a ground fire caused by a muffler spark.</p> <p>Serious injury or death may occur if system safety's are not properly maintained.</p>	<p>A spark arrester must be added to the muffler of this engine when using on land covered with any flammable agricultural crop (hay and grain), and if they are used in or near brush or forested areas. The arrester must be maintained in effective working order by the operator. In the state of California, the above is required by law. (Section 4442 and 4443 of the California Public Resources Code.) Other states may have similar laws. Federal laws apply on Federal lands.</p> <p>This pressure washer has a Safety Relief Valve which should never be altered, modified, removed or made inoperative. If the device fails, replace immediately with genuine manufacturer replacement part.</p>
<p style="text-align: center;">RISK OF ASPHYXIATION</p> 	<p>Serious injury or death may occur from inhaling engine/burner exhaust or dangerous vapors. The engine exhaust from this product contains chemicals known to the State of California to cause cancer, birth defects, or other reproductive harm.</p>	<p>Never operate this pressure washer in an enclosed area. Always make certain there is adequate ventilation (fresh outside air) for breathing and combustion. This will prevent the buildup of dangerous carbon monoxide gases. Beware of poorly ventilated areas, or areas with exhaust fans which can cause poor air exchange.</p> <p>Follow all safety instructions provided with the materials you are spraying. Use of a respirator may be required when working with some materials. Do not use this pressure washer to dispense hazardous detergents.</p>


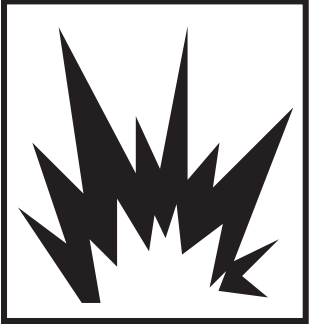

IMPORTANT SAFETY INSTRUCTIONS

READ ALL SAFETY WARNINGS BEFORE USING PRESSURE WASHER

HAZARD	POTENTIAL CONSEQUENCE	PREVENTION
<p style="text-align: center;">RISK OF INJECTION OR SEVERE CUTTING INJURY</p> <div style="text-align: center;">  </div>	<p>Serious injury or death could occur from high pressure spray penetrating the skin.</p>	<p>Keep clear of nozzle and spray! Never put your hand, fingers or body directly over the spray nozzle.</p> <p>Never point the high pressure discharge spray at yourself or anyone else. This equipment is to be used only by trained operators.</p> <p>Always keep operating area clear of all persons.</p> <p>Do not allow children to operate this unit.</p> <p>Seek emergency medical care if the spray appears to have penetrated the skin! Do not treat as a simple cut!!</p> <p>High pressure hoses and fuel lines should be inspected daily for signs of wear. If evidence of failure exists, promptly replace all suspect hoses and fuel lines to prevent the possibility of injury from the high pressure spray. If a hose or fitting is leaking, Never place your hand directly on the leak</p> <p>Never operate the gun with the trigger wired in the open position. To prevent accidental discharge, the trigger gun should be securely locked when not in use.</p> <p>Before removing the spray nozzle or servicing the unit, always shut off the unit and trigger the gun to release trapped pressure. (Even after you shut off the unit, there is high pressure water left in the pump, hose and gun until you release it by triggering the gun.)</p>
<p style="text-align: center;">RISK OF ELECTROCUTION OR ELECTRICAL SHOCK</p> <div style="text-align: center;">  </div>	<p>Serious injury or death may occur from contact with electricity.</p>	<p>Do not direct spray on or into electrical installations of any kind! This includes electrical outlets, light bulbs, fuse boxes, transformers, the unit itself, etc.</p> <p>Do not allow metal components of the pressure washer to come in contact with live electrical components.</p>


IMPORTANT SAFETY INSTRUCTIONS

READ ALL SAFETY WARNINGS BEFORE USING PRESSURE WASHER

HAZARD	POTENTIAL CONSEQUENCE	PREVENTION
<p style="text-align: center;">RISK OF BURNS</p> 	<p>Serious injury may occur from touching the engine, muffler or heat exchanger. These areas can remain hot for some time after the pressure washer is shutdown.</p>	<p>Never allow any part of your body to contact the engine, muffler or heat exchanger.</p>
<p style="text-align: center;">RISK OF BURSTING</p> 	<p>Serious injury may occur from a pressure washer malfunction or exploding accessories if incorrect system components, attachments or accessories are used.</p> <p>Serious injury or death may occur if attempting to start the pressure washer when the pump is frozen.</p>	<p>Never make adjustments to the factory set pressures.</p> <p>Never exceed manufacturers maximum allowable pressure rating of attachments.</p> <p>Do not allow any hoses to make contact with the engine, muffler, or heat exchanger to prevent the possibility of bursting. Avoid dragging the hoses over abrasive surfaces such as cement.</p> <p>Use only manufacturer recommended repair parts for your pressure washer.</p> <p>In freezing temperatures, the unit must always be warm enough to ensure there is no ice formation in the pump. Do not start the pressure washer if it has been transported in an open or non heated vehicle without first allowing the entire unit to thaw.</p>
<p style="text-align: center;">RISK FROM MOVING PARTS</p> 	<p>Serious injury may occur to the operator from moving parts on the pressure washer.</p>	<p>Before making any adjustments, be certain the engine is turned off. Be certain to disconnect the battery ground terminal before servicing and the ignition cable(s) is removed from the spark plug(s). Turning the machinery over by hand during adjustment or cleaning might start the engine and machinery with it.</p> <p>Do not operate the unit without all protective covers in place.</p>

IMPORTANT SAFETY INSTRUCTIONS

READ ALL SAFETY WARNINGS BEFORE USING PRESSURE WASHER

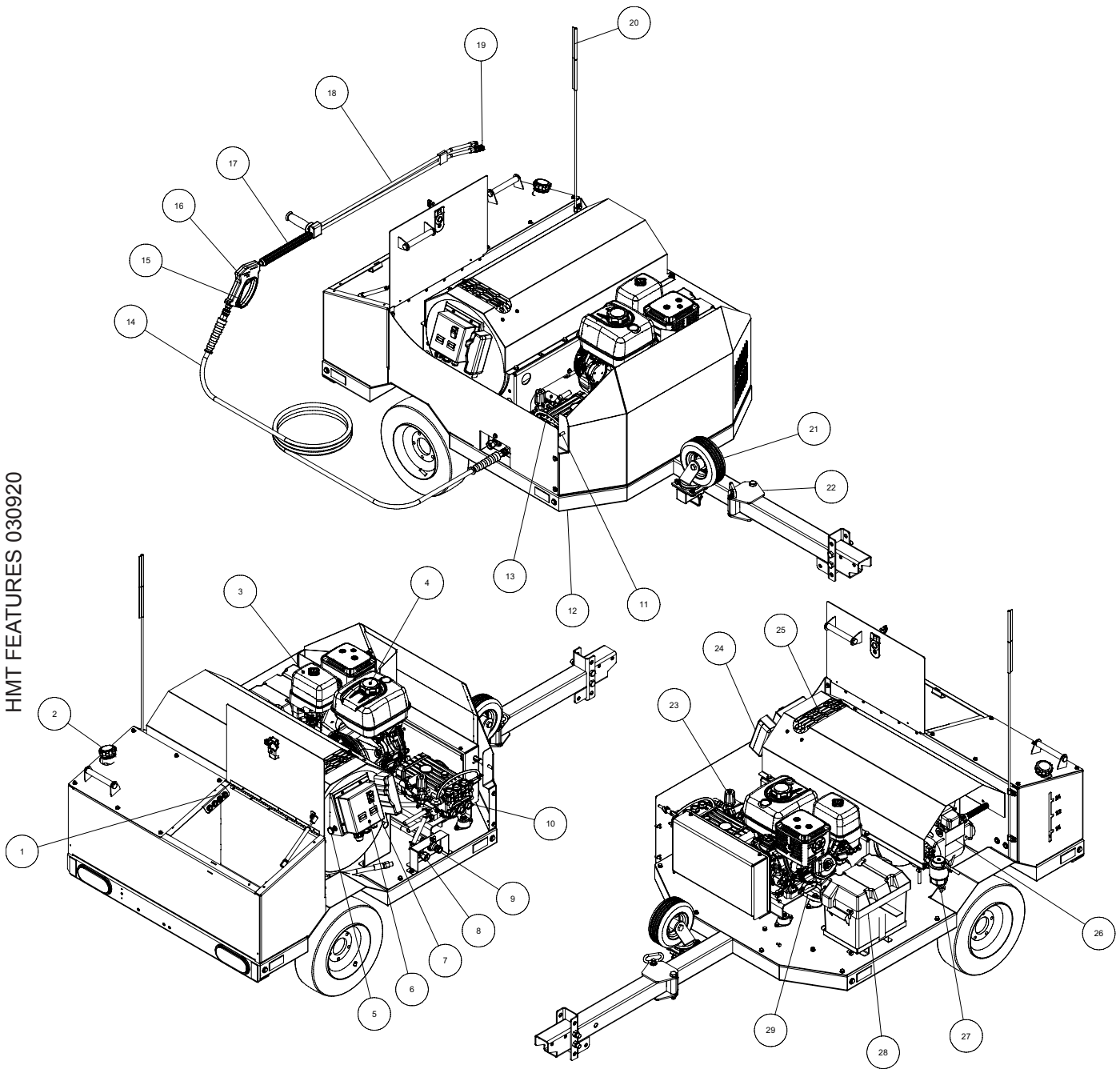
HAZARD	POTENTIAL CONSEQUENCE	PREVENTION
<p style="text-align: center;">RISK OF BODILY INJURY</p> <div style="text-align: center;">  </div>	<p>Injury may occur from the pressure washer.</p>	<p>Always hold on firmly to the gun/lance assembly when starting and operating the unit. Failure to do so can cause the lance to fall and whip dangerously.</p> <p>Know how to stop the pressure washer and bleed pressures quickly. Be thoroughly familiar with controls.</p> <p>Follow the maintenance instructions specified in the manual.</p> <p>Do not leave pressurized unit unattended. Shut off the pressure washer and release trapped pressure before leaving.</p> <p>Do not operate the unit if you see any fuel, oil or water leaks from the machine. Do not resume operation until the unit has been inspected and repaired by a qualified service person.</p> <p>Never run the unit with the governor disconnected or operate at excessive speeds.</p> <p>Place unit in a clean, dry, flat area for servicing. Before servicing the unit: turn the unit off, relieve the water pressure from the trigger gun, and allow the unit to cool down. Service in clean, dry, flat area. If applicable, block wheels to prevent unit from moving.</p> <p>Do not move the unit by pulling on the hose.</p>



!SAVE THESE INSTRUCTIONS!



HMT-4004-OMGH FEATURES



HMT FEATURES 030920

- | | | |
|-------------------------------|-----------------------------------|--------------------------------|
| 1 Quick Connect Nozzle Holder | 11 Gun/Wand Holder | 21 Caster Assembly |
| 2 Fuel Tank | 12 Frame Assembly | 22 Swing-Away Coupler |
| 3 Engine | 13 Pressure Switch | 23 Unloader |
| 4 Gas Tank | 14 High Pressure Hose | 24 Key Switch |
| 5 Choke | 15 Trigger Safety Lock | 25 Heat Exchanger Outlet |
| 6 Control Panel | 16 Trigger Gun | 26 Burner |
| 7 Rocker Switch - Burner | 17 Insulated Lance | 27 Fuel Filter/Water Separator |
| 8 Water Inlet | 18 Adjustable Pressure Dual Lance | 28 Battery Box |
| 9 Water Outlet | 19 High Pressure Nozzle | 29 Engine Oil Drain |
| 10 High Pressure Pump | 20 Safety Flag | |

INSTALLATION & PREPARATION

SAFETY:



WARNING: DO NOT OPERATE TRAILER UNTIL THIS MANUAL HAS BEEN READ AND UNDERSTOOD.

1. Thoroughly read and understand all instructions before operating this trailer.

REPORTING SAFETY DEFECTS:

If you believe that your vehicle has a defect which could cause a crash or could cause injury or death, you should immediately inform the National Highway Traffic Safety Administration (NHTSA) in addition to notifying the trailer manufacturer.

If NHTSA receives similar complaints, it may open an investigation, and if it finds that a safety defect exists in a group of vehicles, it may order a recall and remedy campaign. However, NHTSA cannot become involved in individual problems between you, and your local dealer.

To contact NHTSA, you may either call the Auto Safety Hotline toll free at 1-800-424-9393 (or 366-0123 in Washington, DC area) or write to NHTSA, U.S. Department of Transportation, Washington, DC 20590. You can also obtain information about motor vehicle safety from the Hotline.

BEFORE TOWING TRAILER:



WARNING: BEFORE USING A TOW VEHICLE WITH A TRAILER, VERIFY THAT THE VEHICLE IS DESIGNED FOR THE LOAD. USING A VEHICLE THAT IS TOO SMALL IS VERY DANGEROUS. BE CERTAIN THAT IT CAN HANDLE THE M.G.T.W. (MAXIMUM GROSS TRAILER WEIGHT) AND THE TONGUE WEIGHT FOR SAFE TOWING AND BRAKING.

SELECTING THE PROPER TOWING EQUIPMENT

WEIGHT

When selecting the proper towing equipment, the two most important factors that must be considered are the M.G.T.W. (Maximum Gross Trailer Weight) and the Tongue Weight. The M.G.T.W. is the total weight of the trailer plus the payload in the trailer. The tongue weight is the downward pressure exerted at the coupler. The easiest way to measure the gross trailer weight is to place the loaded trailer on a vehicle scale making sure that the scales are supporting the entire weight of the loaded trailer.

The easiest method to measure tongue weight (up to 300 lbs.) is to place the jack stand (trailer tongue) on a bathroom scale making sure the trailer is level. For heavier tongue weights, place a board across the bathroom scale and a solid object of the same thickness as the scales with a piece of pipe between each. The trailer tongue should be level and in its normal towing position. Multiply the scale reading by three (3) to obtain the tongue weight. Make sure the tow vehicle is able to tow the load.

- Be sure hitch capacity is equal to or greater than the load when mounted on the vehicle.
- Be sure the size and rating of the hitch ball is equal to or greater than the load.
- Make sure the safety chain(s) rating is equal to or greater than twice the maximum gross trailer weight rating of your trailer.
- It is against the law to carry passengers in the back of any trailer.
- Any alterations or changes made to the trailer void any express or implied warranties on the trailer or towing equipment.
- Check lug nuts for tightness before initial trip, at 25 miles, every 100 miles of operation thereafter.

TOW VEHICLE

Make sure the vehicle you are using to tow the trailer is capable of towing the weight. Check the vehicle Owner's Manual for towing capability of the towing vehicle or contact the car dealer for this information. Make sure the tow vehicle is able to tow the load. Vehicle brake capacity is extremely critical and the tow vehicle must be able to handle the additional weight of the trailer. Radiator and transmission cooling must also be considered.

TOW HITCH CAPACITY

Hitch Class	Maximum Tow Capacity	Maximum Tongue Weight
Sub Class I	1000 Lbs.	100 Lbs.
Class I	2000 Lbs.	200 Lbs.
Class II	3500 Lbs.	300 Lbs.
Class III and 4	5000 Lbs. Plus	500 Lbs. Plus

INSTALLATION & PREPARATION

SAFETY CHAINS

Listed in the chart below are the different class's of safety chains and the rated load each chain must be capable of withstanding.

Trailer Class	Trailer weight GVWR in lbs.	Minimum braking strength in lbs.
Class I	to 2000 lbs.	2000 lbs.
Class II	2000 to 3500 lbs.	3500 lbs.
Class III	3500 to 5000 lbs.	5000 lbs.

 **WARNING: FAILURE TO PROPERLY ATTACH SAFETY CHAINS BETWEEN THE TRAILER AND TOW VEHICLE CAN RESULT IN A RUNAWAY TRAILER.**

 **WARNING: TO AVOID ACCIDENTS, BEFORE TRAILERING:**

- Hitch only to ball size marked on coupling.
- Ball clamp must capture ball and lever or hand wheel is fully clamped
- Cross safety chains under coupling.
- Allow only enough slack for turns.

ELECTRICAL TRAILER WIRING

All trailers must have taillights, brake lights and turn signals connected to the towing vehicle's electrical system. It is also recommended that a heavy duty turn signal flasher and emergency flasher (if separate) be installed since the trailer lights place an extra load on car flasher units.

TOWING HEAVY TRAILER LOADS


Additional equipment. The following items may be helpful for towing heavy loads. Consult your vehicle's owner manual or dealership for recommended towing accessories.


- Overload Springs
- Overload or air shocks
- Transmission Oil Cooler
- Engine Oil Cooler
- Coolant Recovery System
- Heavy Duty Fan
- Side View Mirrors
- Sway Control

TIRE PRESSURE

Proper air pressure for your tires is printed on the sidewall. Check pressure while tires are cold. Do not raise or lower pressure to meet load. Pressure other than recommended pressure will lead to excessive tire wear or tire failure.

Balancing recommended. Preferred balancing method is to center off of stud holes, since 13" through 16.5 wheels are not hub piloted.

 **WARNING: FOR A NEW TRAILER, THE WHEEL LUG NUTS SHOULD BE TIGHTENED TO THE PROPER TORQUE SPECIFICATION BEFORE USE, AFTER 25 MILES OF OPERATION AND EVERY 100 MILES OF OPERATION THEREAFTER. FAILURE TO CHECK THE LUG NUTS FOR PROPER TIGHTNESS CAN RESULT IN AN ACCIDENT DUE TO A WHEEL FALLING FROM THE TRAILER.**

 **WARNING: NEVER OPERATE A TRAILER OR TOW VEHICLE THAT HAS A LOOSE, MISSING OR BROKEN LUG NUT. THE TRAILER IS DESIGNED FOR SAFE OPERATION WITH ALL LUG NUTS INSTALLED AND ALL AT THE PROPER TORQUE RATING. OPERATING THE TRAILER WITH ONE OR MORE BROKEN OR MISSING LUG NUTS GREATLY INCREASES THE LOAD ON THE REMAINING NUTS AND CAN CAUSE FAILURE OF THE REMAINING NUTS THAT CAN RESULT IN AN ACCIDENT DUE TO A WHEEL FALLING FROM THE TRAILER.**

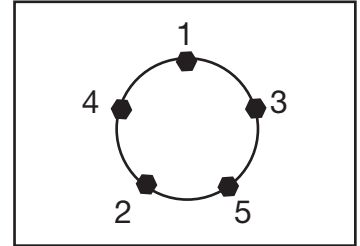
INSTALLATION & PREPARATION

WHEEL LUGS

Wheel lug nuts must be tightened with a torque wrench. Refer to the chart below for proper torque.

1. Start all bolts or nuts by hand to prevent cross threading.
2. Tighten bolts or nuts following sequence at right.
3. Tightening of the fasteners should be done in stages. Following the recommended sequence, tighten fasteners per wheel torque chart below.
4. Wheel nuts/bolts should be torqued before first road use and after each wheel removal. Check and re-torque after first 10 miles, 25 miles and again at 50 miles.. Check periodically thereafter.

Torque Sequence			
Wheel size	1st Stage	2nd Stage	3rd Stage
16"	20-25	50-60	80-90

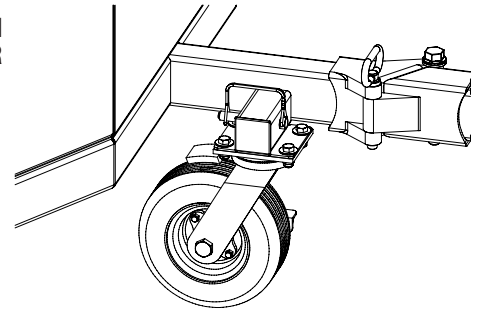


CASTER OPERATION

This trailer is equipped with a tongue mounted caster for use when not coupled to the tow vehicle.

WARNING: THE CASTER MUST BE IN THE UP POSITION WHEN ATTACHED TO THE TOW VEHICLE FOR SAFE AND PROPER TOWING.

To place the caster in the up position remove the locking safety pin and remove caster from trailer. Rotate caster bracket 90 degrees and install on trailer. Install the safety pin and ensure lock wire is secure.



BRAKE OPERATION

This trailer is equipped with a caster mounted brake mechanism for use when not coupled to the tow vehicle.

WARNING: TO AVOID INJURY, THE TRAILER BRAKE MUST BE APPLIED WHEN OPERATING THE UNIT AND WHEN NOT IN USE.

To engage the caster brake simply push down on the brake lever using your foot. To release the caster brake pull up on the brake lever until it is in the horizontal position.

ATTENTION: PLACING BRAKE LEVER ABOVE HORIZONTAL POSITION WILL NOT ALLOW THE CASTER TO SWIVEL AND CAN CAUSE PAINT DAMAGE.

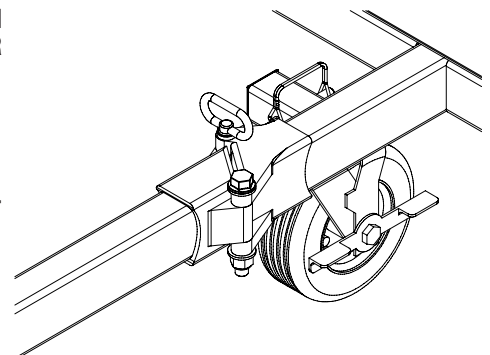
SWING-AWAY TONGUE OPERATION

This trailer is equipped with a swing-away tongue coupler kit for compact storage.

WARNING: HINGE PIN MUST BE INSTALLED AND SECURED IN SWING-AWAY WHEN ATTACHED TO THE TOW VEHICLE FOR SAFE AND PROPER TOWING.

To operate swing-away coupler remove cotter pin from hinge pin. Remove hinge pin from coupler and swing tongue to side.

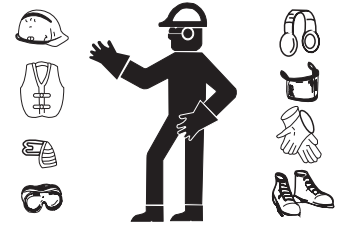
ATTENTION: INSTALL HINGE PIN IN STATIONARY SIDE OF SWING-AWAY WHEN IN USE TO PREVENT LOSS OF DAMAGE.



INSTALLATION & PREPARATION

ATTIRE:

Proper attire is essential to your safety. It is advised to utilize whatever means necessary to protect eyes, ears, and skin. Additional safety attire (such as respiratory mask) may be required when using detergent cleaning agents with this washer.



SET-UP:

1. This unit should only be placed on a level surface to ensure proper lubrication for the engine and water pump while operating. Never spray water directly on the unit.

⚠ WARNING: DANGER RISK OF EXPLOSION OR FIRE! -WHEN CHARGING BATTERIES, THEY GENERATE A HIGHLY EXPLOSIVE HYDROGEN GAS. A SPARK COULD CAUSE AN EXPLOSION OR FIRE!
-DO NOT JUMP START BATTERY UNLESS BOTH BATTERIES ARE OF EQUAL VOLTS & AMPS.
-DO NOT SMOKE OR ALLOW SPARKS OR FLAMES NEAR THE BATTERY.
-DO NOT PLACE UNIT IN AN AREA WHERE FLAMMABLE GAS VAPORS MAY BE PRESENT. A SPARK COULD CAUSE AN EXPLOSION OR FIRE.

⚠ WARNING: RISK OF UNIT BURSTING! DO NOT STORE/OPERATE UNIT IN FREEZING ENVIRONMENTS!

⚠ WARNING: RISK OF ASPHYXIATION! USE THIS PRODUCT ONLY IN WELL VENTILATED AREAS! DO NOT OPERATE IN AN ENCLOSED AREA. THE EXHAUST CONTAINS CARBON MONOXIDE, A POISONOUS, ODORLESS AND INVISIBLE GAS. BREATHING THIS GAS CAN CAUSE SERIOUS INJURY, ILLNESS & POSSIBLE DEATH.

2. Do not use unit in an area:
 - a. with insufficient ventilation.
 - b. where there is evidence of oil, gas or fuel leaks.
 - c. where flammable gas vapors may be present.This unit has multiple ignition sources that could cause an explosion or fire.
3. Do not allow the unit to be exposed to freezing temperatures. If any part of the unit becomes frozen, excessive pressure may build up in the unit which could cause it to burst resulting in possible serious injury to the operator or bystanders.
4. Pump oil level should be checked before each use. Check oil level on sight glass on backside of pump. Oil should be half way up the sight glass. If the level appears to be low, fill with 10-40W non-detergent pump oil. The oil level can also be checked by using the dipstick on the top of the pump.
5. Battery Specifications:
 - RV / Marine Dual Purpose Deep Cycle / Cranking Battery.
 - BCI Group 24DC
 - Battery Box Size: 11" L x 7 1/2" W x 8 1/4" H (Battery can be slightly taller and still be covered by lid.)
 - Battery should have lifting strap for easy installation.

INSTALLATION & PREPARATION

ENGINE/BURNER FUEL TANKS:

1. Review "Risk of Explosion or Fire" warnings, pgs. 4-5, before fueling.
2. Locate the Safety Decals on your unit and heed their warnings.
3. **Engines:** See Engine Owner's Manual for fuel requirements.
Burner Fuel: When filling tank, use No. 1 or No 2 fuel oil/diesel or kerosene.
4. Check the engine oil level before starting the engine. (See Engine Manual.)
5. Refer to the Engine Manual supplied with this unit for proper engine adjustment procedures.
6. **Review the Engine Manual accompanying this pressure washer for correct engine start-up and maintenance procedures.**

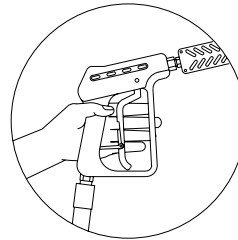
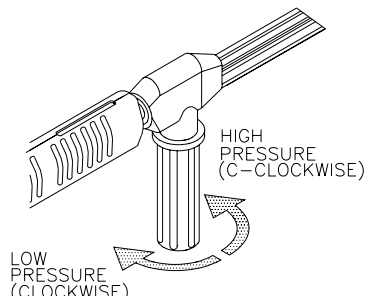
⚠ WARNING: DANGER RISK OF FIRE! DO NOT SMOKE WHILE FUELING! -DO NOT FILL THE FUEL TANKS WHILE UNIT IS RUNNING OR HOT. ALLOW UNIT TO COOL FOR TWO MINUTES BEFORE REFUELING. DO NOT FILL FUEL TANKS TO POINT OF OVERFLOWING. ALLOW APPROXIMATELY 1/4" OF TANK SPACE FOR FUEL EXPANSION.

⚠ WARNING: RISK OF EXPLOSION OR FIRE! ALWAYS STORE FUEL AWAY FROM THE WASHER WHILE THE UNIT IS RUNNING OR HOT.

DUAL LANCE ASSEMBLY WITH ADJUSTABLE PRESSURE:

This unit features a dual lance assembly with adjustable pressure which allows the user to select a high or low pressure spray. Simply rotate the adjustable grip on the dual lance to achieve the desired pressure selection.

1. Selection of high pressure can be achieved by turning the adjustable grip on the Dual Lance assembly **counterclockwise**.
2. Selection of low pressure can be achieved by turning the adjustable grip on the Dual Lance **clockwise**.



⚠ WARNING: RISK OF INJECTION CAUSING SEVERE INJURY! THE TRIGGER GUN SHOULD ALWAYS BE LOCKED IN THE OFF POSITION WHEN NOT IN USE! NEVER LOOK DIRECTLY AT THE NOZZLE UNLESS IT IS DISCONNECTED FROM THE TRIGGER GUN/DUAL LANCE ASSEMBLY!

INSTALLATION & PREPARATION

QUICK-CONNECT NOZZLES:

Various nozzles may be quick-connected into the end of the dual lance to change the spray pattern. The detergent nozzle has been pre-installed at the factory. When using quick-connects (Q.C.), be certain the connection is securely locked as shown at right. If not, the high pressure water may shoot the nozzle from the lance, causing severe injury or serious damage. To determine spray fan, refer to the actual number stamped on the nozzle. The first two digits indicate the spray fan degree: 00=0°, 15=15°, 25=25°, 40=40°, 65=65°.

1. The 0° nozzle (RED):

This is a blasting nozzle. It delivers a very concentrated stream of water. Be cautious when using the straight narrow stream. It is not recommended for use on painted or wood surfaces or items attached with adhesive backing. Uses: Removing weeds from sidewalk cracks, stubborn stains from concrete, masonry, aluminum and steel, caked mud from equipment, and cleaning lawn mower undersides.

2. The 15° nozzle (YELLOW):

This is a chiseling nozzle. The spray should be directed at a 45° angle to the surface and used like a scraper to remove paint, grease and dirt. Uses: Surface preparation (removing mildew stains and paint chips).

3. The 40° nozzle (WHITE):

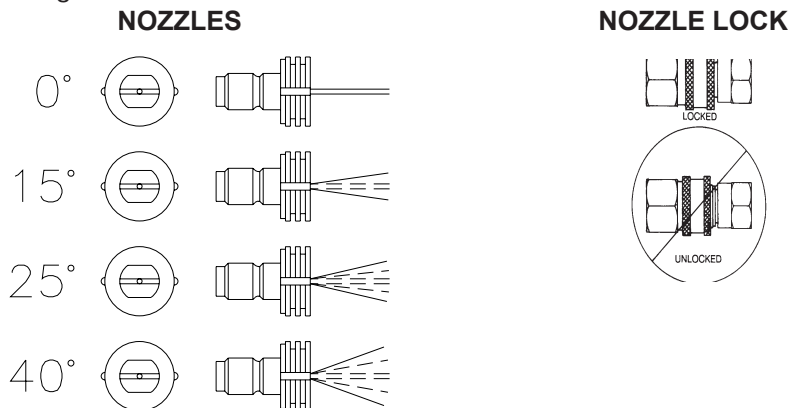
This is a wash nozzle. This wide spray pattern disperses the water pressure over a large area and is recommended for moderate washing. Uses: Washing aluminum siding, cleaning windows, washing vehicles, spraying sidewalks, driveways, and patios.

4. The 25° nozzle (GREEN):

This is a flushing nozzle. This pattern is best suited for flushing dirt, mud, and grime. Uses: Wet sweeping leaves from walks, curbs and driveways, cleaning stable floors, washing swimming pool bottoms, degreasing engines.

5. The 65° nozzle: (included in dual lance.)

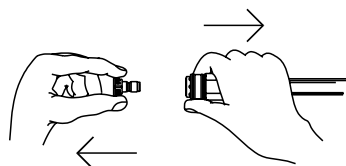
This is a detergent nozzle. The broad spray pattern distributes solution over vast areas. Uses: Detergent application, misting or rinsing.



NOZZLE CONNECTION:

1. Ensure the trigger gun is locked in the OFF position.
2. Quick-connect nozzles can be connected or disconnected from the dual lance assembly by retracting the locking ring on the quick-connect fitting. When connecting the desired nozzle, push the locking ring over the quick connect nozzle to secure connection.

NOZZLE CONNECTION



INSTALLATION & PREPARATION

WATER SUPPLY:

PRESSURIZED SUPPLY:

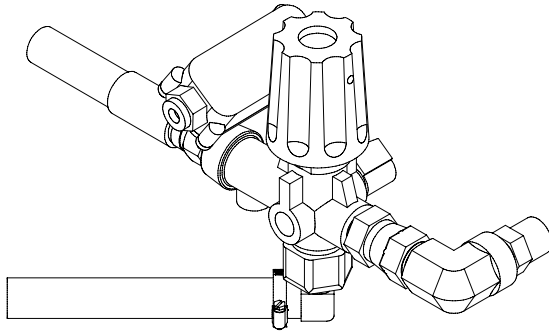
1. Select a water supply hose which is a quality grade of garden hose measuring at least ¾" ID and no longer than 50 feet.
2. Ensure the water strainer is clean and free of obstructions. If water flow becomes restricted to the pump, cavitation can occur which will cause premature failure of the pump packings.
3. Connect one end of the water supply hose to the swivel with filter inlet and connect the other end to the pressurized water supply.

NOTE: *If there is a high mineral content in your water, it is recommended that a water softener be used to prevent the possibility of excessive scale buildup inside the heat exchanger coil.*

4. Follow the incoming water requirements listed below:
 - a. Water pressure must be between a minimum of 40 PSI and a maximum of 65 PSI.
 - b. Incoming GPM must be approximately one gallon more per minute than the outgoing GPM stated on the machine nameplate. (You can check the GPM of your source by timing the filling of a 5 gallon container.)
 - c. Incoming water temperature must not exceed 125°F. Excessive pump damage may result if the water temperature exceeds this level.
5. Never allow the unit to operate without the incoming water line attached and the water supply completely turned on.

UNLOADER:

The unloader has been preset at the factory.



PRE-START INSPECTION PROCEDURES:

Before starting the unit, perform the following procedures:

1. Check the oil level in the pump.
2. Inspect the water inlet strainer. Clean or replace if necessary. See "Water Supply".
3. Check all hose connections to ensure they are securely tightened.
4. Inspect for system water leaks, oil leaks and fuel leaks. If a fuel leak is found, DO NOT START UNIT! See "Risk of Explosion or Fire" warnings. Be sure that all damaged parts are replaced and that the mechanical problems are corrected prior to operation of the unit. If you require service, contact Customer Service.
5. Inspect high pressure hoses for kinking, cuts and leaks. If a cut or leak is found, DO NOT USE HOSE! Replace hose before starting unit. See "Risk of Injection" warnings.
6. Be sure that all damaged parts are replaced and that the mechanical problems are corrected prior to operation of the unit. If you require service, contact Customer Service.

END OF PREPARATION INSTRUCTIONS

 **WARNING** 

THE FOLLOWING PAGES CONTAIN OPERATING INSTRUCTIONS.

DO NOT ATTEMPT TO TOW YOUR HOT WATER TRAILER UNTIL YOU HAVE READ AND UNDERSTOOD ALL SAFETY PRECAUTIONS AND INSTRUCTIONS LISTED IN THIS MANUAL.

INCORRECT OPERATION CAN CAUSE SERIOUS INJURY!!

**DO NOT ALTER OR MODIFY THIS EQUIPMENT
IN ANY MANNER!**

OPERATING INSTRUCTIONS

WHILE TOWING TRAILER:



WARNING: NEVER ALLOW A PERSON TO RIDE IN OR ON A TRAILER THAT IS BEING TOWED. ALL STATES PROHIBIT PASSENGERS IN TOWED VEHICLES. A PERSON CAN FALL OFF AND BE STRUCK BY ANOTHER VEHICLE OR RUN OVER BY THE TOWED TRAILER. FAILURE TO OBSERVE THIS WARNING CAN RESULT IN DEATH.

SAFETY PRECAUTIONS DURING USE

Loading Trailer. The trailer should be loaded so that the downward tongue weight is approximately 10% of the gross trailer weight. Hitch only to the hitch points recommended by the tow vehicle manufacturer.

Following and stopping distance. The stopping distance increases when towing a trailer. A rule of thumb for the minimum distance that should be maintained between you and the preceding car on dry pavement is one car and trailer length (2 car lengths) for every 10 MPH you are traveling. The distance should be increased accordingly depending on road and weather conditions. Avoid sudden stops if possible. Operate tow vehicle smoothly - no jerky turns, starts or stops. When possible, avoid operating the tow vehicle near ditches, embankments and holes and reduce speed when crossing uneven or rough terrain.

Passing. Accelerating and passing should be done slowly to allow extra distance for passing. Signal well in advance when passing and returning to the proper lane. Allow for the extra length of the trailer before changing lanes. Never change lanes abruptly as this may cause the trailer to sway and push the tow vehicle into a "jack knife" condition.

Turning. Allow for the extra length of the trailer. Drive slightly beyond normal turning point to avoid running over curbs and soft shoulders. Turning radius increases when towing. Reduce speed when turning, crossing slopes and on rough, slick or muddy surfaces.

Uphill and Downhill Grades. Reduce speed and use a lower transmission gear for steep or long up or down hill grades. Maintain safe distance from other vehicles.

Parking. When tow vehicle is idle, engage brakes and park lock securely.

- Avoid parking on uphill or downhill grades.
- Place transmission in "PARK".
- Apply parking brake.
- Use wheel chucks.
- In parking lot, avoid parking close to other vehicles. Turning radius is greater and it may be impossible to get out of a parking space after a few other vehicles have parked around your vehicle.

ALWAYS TURN OFF TOW VEHICLE ENGINE BEFORE MAKING ADJUSTMENTS OR REPAIRS TO AN ATTACHED TRAILER.

AFTER USE:

1. Inspect trailer for wear or damage.
2. Ensure that all fasteners and fittings are tight.
3. Verify the stop, tail and turn signals are working properly.
4. Check wires for good connections and possible fraying or wearing of insulation.
5. Check and properly maintain the trailer, hitch, jack, ball and coupler.
6. Inspect hitch and ball for damage. Ball or hitch can be damaged in parking, hitting curbs, dragging when crossing ditches or railroad tracks.
7. Check and properly tighten all bolts on trailer, hitch, ball and coupler (including wheels).
8. Check safety chains for wear and do not allow them to drag on ground or roadway.
9. Check tow vehicle tires for wear and proper inflation (check vehicle's owner manual for proper level of inflation of tires for towing a trailer).
10. Check trailer tires for wear and proper inflation. Replace only with a tire of the same size and capacity ratings.
11. For proper tow vehicle maintenance while towing a trailer, check vehicle's owner manual and manufacturer's specifications.

OPERATING INSTRUCTIONS

FLUSHING THE SYSTEM:

This unit has a steel coil which, after sitting, will cause the water remaining in the coil from the previous usage to turn brown or black. This water must be flushed from the system before start-up. This procedure should be performed WITHOUT the high pressure hose, gun and lance assembly installed.

1. Turn on the water supply.
2. Start engine on unit. Low pressure water will begin flowing from the water outlet. This allows the unit to flush any particles from the system. The unit is flushed when the water is clear.
3. Once the system is flushed, turn off engine and connect the high pressure hose to the water outlet of the unit.
4. Connect the trigger gun and dual lance assembly to the high pressure hose.
5. Install desired nozzle into dual lance assembly.

⚠ WARNING: CAUTION RISK OF UNIT DAMAGE. BE CERTAIN THE HOSE, GUN AND NOZZLE ASSEMBLY ARE NOT CONNECTED TO THE UNIT WHILE FLUSHING THE SYSTEM. FLUSHING ALLOWS MINERAL DEPOSITS TO BE RELEASED FROM THE SYSTEM WHICH WOULD OBSTRUCT OR DAMAGE THE GUN AND NOZZLE ASSEMBLY RESULTING IN COSTLY REPAIRS.

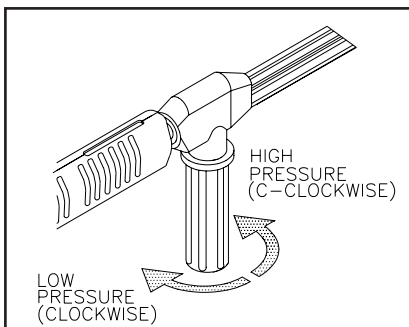
START-UP/COLD WATER OPERATION:

1. Refer to the Safety Warnings before starting the machine.
2. Locate the Safety Decals on your unit and heed their warnings.
3. Ensure the Burner Switch is in the OFF position.
4. Pointing the trigger gun in a safe direction, unlock the trigger gun and squeeze the trigger. Hold the trigger gun open while starting the engine according to the manufacturer's instructions in the engine manual accompanying the machine. Brace yourself for possible gun kickback when the engine starts.

⚠ WARNING: CAUTION RISK OF DAMAGE. DO NOT ALLOW SPRAY PATTERN TO REMAIN ON A FIXED AREA FOR AN EXTENDED PERIOD OF TIME. POSSIBLE DAMAGE MAY OCCUR TO THE AREA.

5. Once the engine has started, perform the following procedures with the gun open:
 - a. Inspect for system water leaks, oil leaks, and fuel leaks. If a fuel leak is found, TURN MACHINE OFF IMMEDIATELY! See "Risk of Explosion or Fire" warnings. Be sure that all damaged parts are replaced and that all mechanical problems have been corrected prior to operation of the unit. Contact Customer Service if necessary.
 - b. Inspect high pressure hoses for kinks, cuts, and leaks. If a cut or leak is found, TURN MACHINE OFF IMMEDIATELY! Replace hose before starting the machine. See "Risk of Injection" warnings. Be sure that all damaged parts are replaced and that all mechanical problems have been corrected prior to operation of the unit. Contact Customer Service if necessary.
6. The unit is now operating as a cold water pressure washer. Trigger the gun several times. Rotate adjustable grip on the dual lance for high and low pressure application. NEVER place hand or fingers in front of the nozzle or look directly into the nozzle!

ADJUSTABLE GRIP



⚠ DANGER RISK OF INJECTION CAUSING SEVERE INJURY! KEEP CLEAR OF NOZZLE! NEVER PLACE HAND OR FINGERS IN FRONT OF NOZZLE! DO NOT DIRECT DISCHARGE STREAM AT PEOPLE OR PETS!

7. Do not allow the machine to operate in the bypass mode (with the trigger gun closed) for more than three minutes without triggering the gun. Failure to follow this simple rule can cause premature failure of the pump packings.

OPERATING INSTRUCTIONS

HOT WATER OPERATION:

 **WARNING: RISK OF BURN! THE WATER TEMPERATURE COULD BECOME VERY HOT DURING HOT WATER OPERATION. BE CAUTIOUS WHEN ADJUSTING PRESSURE OR CONTROLLING THE TRIGGER GUN/LANCE ASSEMBLY.**

1. Follow preceding steps 1-7 for “Start-up / Cold water operation”.
2. Move the Burner switch to the **ON** position.
3. Recheck the system for fuel leaks. If a fuel leak is found, **TURN MACHINE OFF IMMEDIATELY!** See “Risk of Explosion or Fire” warnings. Be sure that all damaged parts are replaced and that all mechanical problems have been corrected prior to operation of the unit. Contact Customer Service if necessary.

Note: Upon initial start-up, water will begin turning hot in approximately 20 seconds and will reach maximum temperature within 2-1/2 minutes providing that the trigger gun remains open. The burner will not fire when the trigger is released.

SHUTDOWN:

1. Move the Burner switch to the OFF position.
2. Squeeze the trigger and discharge the water for a period of three minutes to cool the heat exchanger and high pressure hose. Insufficient cool-down periods for the high pressure hose will cause excessive wear and eventual rupture of the hose.
3. Do not close the choke to stop the engine. Backfire or engine damage may occur.
4. Move the engine key switch to the OFF position.
5. Turn off the water supply and trigger the gun momentarily to relieve trapped pressure.

Disconnect and drain the high pressure hose, gun, and lance. Wipe the unit clean. Store in a non-freezing environment.

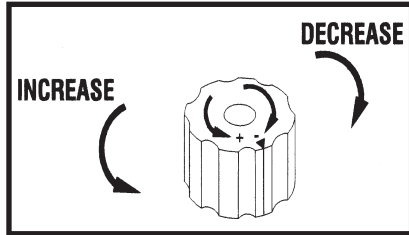
OPERATING INSTRUCTIONS

HIGH PRESSURE DETERGENT: (CLEANING WITH DETERGENTS)

NOTE: This feature is designed for use with mild detergents only. Since the cleaning solution travels through various parts of the pressure washer, do not use corrosives as they will cause extensive damage as well as pose a considerable safety hazard.

1. Refer to "Risk of Bodily Injury / Detergents". Be certain to wear protective safety attire as stated.
2. Prepare detergent solution according to label directions. (Never pump acids, alkalines, abrasive fluids or solvents through the unit. Due to the unknown and often corrosive characteristics of many detergents commonly used in the pressure washer cleaning industry, it is recommended to use only mild detergents with this unit.)

DETERGENT METERING VALVE



3. With the trigger gun locked in the "OFF" position, securely quick-connect the detergent spray nozzle (#6540° BLACK) into the end of the wand.

NOTE: This injection system is designed to apply detergents under low pressure only. It will not allow detergent solutions to be introduced into the system unless the nozzle assembly is in the low pressure detergent mode.

4. Fully immerse the strainer end of the clear vinyl detergent hose into the detergent solution.
5. To apply solution; unlock the trigger gun and squeeze the trigger. In a few moments a detergent/water mixture will exit the nozzle. Start spraying the lower portion of the surface being cleaned and move up, using long overlapping strokes. Applying from the bottom up helps avoid streaking. Allow to soak briefly. Avoid working on hot surfaces or in direct sunlight to minimize the chances of the detergent drying, which may result in damaging surfaces. Be certain to apply cleaning solution to a small section at a time.
6. To rinse; lock the trigger gun in the "OFF" position. Turn the detergent metering valve to the "OFF" position. Unlock the trigger gun and spray. It will take about 30 seconds to purge all detergent from the line. For best rinsing results, start at the top and work down.
7. Siphon a gallon of water through the detergent injection system after each use. This prevents the possibility of corrosion or detergent residue causing mechanical problems during the next use.

STORAGE & MAINTENANCE

SPECIFIC MAINTENANCE:

EVAPORATIVE EMISSION COMPONENTS:

The unit you have purchased includes the following components that are in compliance with ALL current California Air Resources Board Evaporative Emission Standards;

1. Fuel Hose
2. Fuel Hose Fittings

These components should be inspected on a daily basis for cracks, leaks, and abnormal wear. If cracking, leaks or abnormal wear has occurred, the components should be replaced immediately.

ENGINE: The engine instruction manual accompanying your unit lists the specific procedures for maintenance on the engine. Following the engine manufacturer's recommendations will extend engine life.

PUMP: Change the pump oil after the first 50 hours of operation. After initial change, the manufacturer recommends changing the oil every three months or at 250 hour intervals. If oil appears dirty or milky, changes may be required in greater frequency. Use SAE20 or 30 non-detergent pump oil and fill only to the center of the oil sight glass. DO NOT overfill.

NOZZLE: Water flow through the spray nozzle will erode the orifice, making it larger, resulting in a pressure loss. Nozzles should be replaced whenever pressure is less than 85% of the maximum. The frequency of replacement will depend upon such variables as mineral content in the water and number of hours the nozzle is used.

MAINTENANCE-EVERY 3 MONTHS:

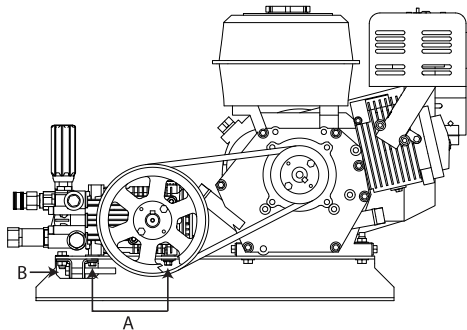
CHANGE WATER PUMP OIL: Ensure unit is off. Change the pump oil after the first 50 hours of operation. After initial change, every 3 months or 500 hour intervals are recommended. If oil appears dirty or milky, changes may be required in greater frequency. Use SAE20 or 30 non-detergent pump oil and fill only to the center of the oil sight glass. DO NOT overfill.

REPLACE HIGH PRESSURE NOZZLE: Water flow through the spray nozzle will erode the orifice, making it larger, resulting in a pressure loss. Nozzles should be replaced whenever pressure is less than 85% of the maximum. The frequency of replacement will depend upon such variables as mineral content in the water and number of hours the nozzle is used.

BELT INSPECTION: To maintain peak performance of your pressure washer, it may be necessary to adjust the belt tension on occasion. Follow the procedure outlined below.

1. Remove the belt guard and loosen the four bolts on the pump (Reference A).
2. Turn the cap screw (Reference B) clockwise until a 1/2 inch belt deflection is noticed between the pulleys.
3. Tighten the bolts. (Reference A)
4. Put a straight edge across both pulleys. If necessary, loosen one set of pulley screws and adjust in or out to properly align. Tighten the pulley screws and check the tension again.
5. Replace the beltguard and tighten the fasteners securely.

BELT TENSION ADJUSTMENT

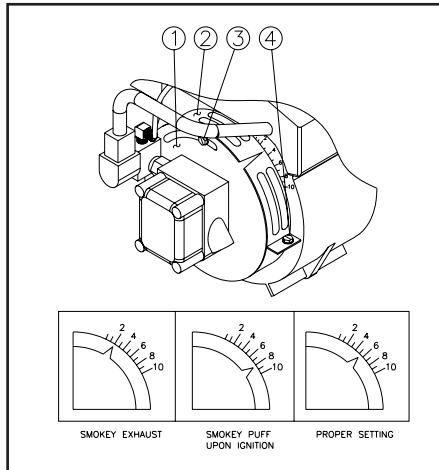


BURNER AIR ADJUSTMENT: The air shutter has been factory preset for proper operation between sea level and 2000 feet elevation at standard conditions (60°F ambient water and air temperatures). In colder temperatures or higher altitudes, it may be necessary to adjust the air supply to the combustion chamber. This adjustment will maximize burner efficiency and avoid inefficient operation or excessive sooting of the heat exchanger coil. A smoke spot test is recommended during any air shutter and band adjustment. If you do not have the equipment to perform a smoke spot test, follow the procedures listed below.

STORAGE & MAINTENANCE

1. The machine must be running and the burner ON.

BURNER AIR ADJUSTMENT



2. Loosen the Locking Screw (#3 at left) on the shutter.
3. Check for smoke from the heat exchanger exhaust. If smoke is not present, slowly close the Air Shutter (#1 at left) by moving the dial counterclockwise to a lower number. Continue moving the dial until smoke appears.
4. Record this setting.
5. Open Air Shutter (#1 at left) two increments. Example: If Air Shutter was set at 2, move it to 4.
6. Slowly trigger the gun on and off. This will cause the burner to turn on and off. Look for a smoke puff when the burner ignites.
7. Repeat steps 5 and 6 until a smoke puff is noticed. Record the Air Shutter Setting.
8. The difference between the recorded settings in steps 4 and 7 is the combustion window. Set the dial 1/2 way between these settings.

NOTE: If you are unable to detect a setting on either step 3 or 7, more or less air may be needed to achieve a proper combustion window. Loosen the Bolt (#4 at left) and open the Air Band (#2 at left) in 1/4" increments. Repeat steps 3-8 until proper combustion window is achieved.

TEST WATER & FUEL PRESSURE: These procedures should be performed by an authorized service technician.

TEST WATER TEMPERATURE: This procedure should be performed by an authorized service technician.

MAINTENANCE – EVERY 6 MONTHS

REPLACE FUEL FILTER – Follow the instructions specified on the fuel filter for correct procedure.

MAINTENANCE – EVERY 12 MONTHS

DELIME COIL – A loss in pressure may signify that the coil needs to be delimed. Do this procedure on a periodic basis.

1. Mix deliming powder/solution according to package directions.
2. Remove the nozzle from the wand. Place a nylon stocking over the wand assembly to collect debris, then place the wand assembly into the float tank.
3. Ensure the trigger gun is open and start the engine to allow water to circulate through the system. Allow process to continue for 2-4 hours (Consult deliming agent package directions for exact time).
4. Once process is complete, turn off engine. Drain and clean the float tank, remove the nylon stocking, and clean the gun and wand assembly.
5. Flush the entire system with clean, fresh water and place the nozzle in the wand assembly.
6. Dispose of deliming solution according to local, state, and federal regulations.

TEST VOLTAGE AND AMP DRAW - Use a voltmeter and amp meter to test the machine for correct voltage and amperage. If you do not have these instruments or are unsure of how to perform these tests, this procedure should be performed by an authorized service technician.

STORAGE & MAINTENANCE

INSPECT BURNER FUEL PUMP INTERNAL FILTER – This procedure should be performed by an authorized service technician.

CHECK BURNER ELECTRODES - This procedure should be performed by an authorized service technician.

REPLACE FUEL NOZZLE - This procedure should be performed by an authorized service technician.

MAINTENANCE-SEASONAL:

NOTE: Proper winterizing is based on the recommended manufacturer's instructions listed on the "Protection Chart" shown on the back label of most antifreeze containers.

WINTERIZING: For storage and transportation purposes in subfreezing ambient temperatures, it will be necessary to winterize this unit. This unit must be protected to the lowest incurred temperature for the following reasons:

- ⚠ WARNING: RISK OF UNIT BURSTING. DO NOT STORE / OPERATE UNIT IN A FREEZING ENVIRONMENT!**
1. If any part of the pumping system becomes frozen; excessive pressure may build up in the unit which could cause the unit to burst resulting in possible serious injury to the operator or bystanders.
 2. The pumping system in this unit may be permanently damaged if frozen. FREEZE DAMAGE IS NOT COVERED BY WARRANTY.

If you must store your unit in an area where the temperature may fall below 32°F, you can protect your unit by following one of the procedures listed below.

AIR BLOWOUT:

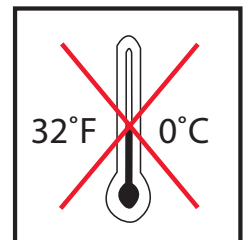
1. Remove the nozzle from the wand assembly. Squeeze the trigger until water ceases to exit the wand assembly.
2. Connect an air fitting from an air hose to the inlet swivel or strainer fitting in the float tank.
3. Run compressed air into the system to remove all water from the system.

ANTIFREEZE SOLUTION:

1. Gather the following items:
 - a. Two 5 gallon containers.
 - b. One gallon of antifreeze. (Mi-T-M® recommends an environmentally safe antifreeze.)
 - c. Water supply.
 - d. Three foot hose, 1/2-3/4 I.D. with a 3/4 inch male garden hose fitting.
2. Procedure:
 - a. To start winterizing, unit must be run and primed according to the "Start-up Procedures" listed on page 14.
 - b. After running and priming, shut off the unit and water supply.
 - c. Relieve system pressure by pointing the trigger gun in a safe direction and squeezing the trigger until water flow ceases to exit the nozzle.
 - d. Lock the trigger gun in an OFF position and remove the nozzle.
 - e. In one 5 gallon container, mix the antifreeze and water according to manufacturer's recommendations for the temperature to which you are winterizing.

NOTE: Proper winterizing is based on the recommended manufacturer's instructions listed on the "Protection Chart" shown on the back label of most antifreeze containers.

- f. Remove the water supply hose from the unit and attach the 3 foot hose securely to the inlet connection. Submerge the other end into the antifreeze solution.
- g. Point the wand into the empty container and start the unit.
- h. Trigger the gun until the antifreeze begins to exit the wand. Release the trigger for 3 seconds, then trigger the gun for 3 seconds. Continue cycling the gun several times until all the antifreeze mixture is siphoned from the container.
- i. Stop the unit.
- j. Detach the 3 foot hose from the unit and drain any excess antifreeze back into the 5 gallon container.
- k. Disconnect the hose/gun/wand assembly from the unit and drain any excess antifreeze back into the 5 gallon container.
- l. Store the hose, gun and wand with the unit in a safe, non-freezing area.
- m. Store antifreeze solution for next use or dispose of according to state EPA laws.



TROUBLESHOOTING

SYMPTOM	PROBABLE CAUSE	REMEDY
Engine will not start.	Engine problems.	Refer to the Engine Manual accompanying your unit.
	Unit components are frozen.	Allow to thaw. If any part of the unit becomes frozen, excessive pressure may build up in the unit which could cause the unit to burst resulting in possible serious injury to the operator or bystanders.
No discharge at nozzle when trigger mechanism is squeezed.	Inadequate water supply.	Ensure hose is 3/4" diameter and incoming water supply is turned on.
Low or fluctuating pressure.	Kink in water inlet hose.	Remove kink.
	Water inlet screen obstructed.	Remove screen, clean or replace.
	Pump sucking air. (Prime eliminated)	Tighten all water intake connections. Eliminate leaks in intake line.
	Eliminate leaks in intake line.	Insert high pressure nozzle.
	Obstructed or worn spray nozzle.	Move adjustable grip on dual lance counter-clockwise to high pressure.
	Damaged or obstructed valve assy.on pump.	Remove, clean or replace.
	Pump packings worn.	Remove, inspect, clean or replace. Replace packings.
	Unloader/bypass valve not operating correctly.	Repair or replace.
Pump oil appears milky or foamy.	Water in oil.	Change pump oil. Fill to proper level.
Oil leaking from unit.	Worn seals or o-rings.	Contact Service Department.
Water is leaking at safety relief valve.	Unloader malfunction.	Detect and correct unloader problem.
	Pressure switch malfunction.	Detect and correct pressure switch problem.
	Safety Relief Valve is defective.	Replace safety relief valve. NEVER run unit without safety relief valve. Doing so can cause an explosion!
Water flows from the nozzle when the trigger gun is locked in the OFF position.	Trigger gun is malfunctioning.	Repair or replace.
Blower motor will not run. (Burner will not ignite without blower running)	Burner/Blower motor malfunction.	Repair or replace.

TROUBLESHOOTING

SYMPTOM	PROBABLE CAUSE	REMEDY
Blower runs, but burner will not ignite.	Trigger gun is closed.	Open gun for pressure.
	Out of fuel.	Refuel.
	Pressure switch override.	Pressure should be over 375 PSI to allow burner to come on.
	No voltage.	Consult Service Department.
	Poor or improper fuel supply.	Check fuel to ensure it is correct. Drain tank and filter if necessary and refill with proper fuel.
	Fuel pump sucking air.	Tighten all fuel intake connections. Eliminate leaks in intake line.
Blower runs, but burner will not ignite.	Dirty or clogged fuel filter or fuel water separator.	Drain or replace as necessary.
	Low fuel pump pressure.	Check fuel pump pressure, adjust or replace as necessary.
	Fuel pump inoperative.	Check pressure, replace if necessary.
	Flexible coupler broken.	Replace
	Fuel solenoid valve failure.	Replace.
	Dirty or clogged fuel nozzle.	Replace fuel nozzle.
	Improper burner air adjustment.	Adjust as shown on pg. 23
	Faulty ignition module.	Repair or replace. Consult your Customer Service.
	Ignition electrodes damaged or worn.	Adjust or replace electrodes. Consult your Customer Service.
Blower runs, burner ignites but will not heat	Poor or improper fuel supply.	Check fuel to ensure it is correct. Drain tank and filter if necessary and refill with proper fuel.
	Dirty or clogged fuel filter or fuel water separator.	Drain or replace as necessary.
	Low fuel pump pressure.	Check fuel pump pressure, adjust or replace if needed.
	Dirty or clogged fuel nozzle.	Replace fuel nozzle.
	Improper burner air adjustment.	Adjust.
	Scale build up in heat exchanger coil.	Consult the Service Department.

TROUBLESHOOTING

SYMPTOM	PROBABLE CAUSE	REMEDY
Burner runs erratically.	Water in the fuel oil.	Replace fuel filter or drain fuel water separator, drain fuel tank and replace with clean fuel.
	Dirty fuel filter or fuel water separator.	Replace element.
	Dirty fuel nozzle.	Replace.
	Improper air adjustment setting.	Adjust
	Fuel pump malfunctioning.	Replace.
	Low on fuel.	Refuel. If white smoke persists consult the Service Department.
Burner discharges white smoke.	Excessive air supply.	Adjust
Burner discharges black smoke.	Insufficient air supply.	Adjust.

MAINTENANCE CHART TRAILER

Tire Air Pressure	Inflate to proper pressure indicated on sidewall.	Every Trip
Wheel Lugs, Bolts and Nuts	Tighten to proper torque specifications.	Every 3000 mi or 3 mos.*
Wheel	Check for damage and or out-of-round.	Every 6000 mi or 6 mos.
Coupler Ball	Check for sufficient lube.	Every Trip
	Check lock mechanism.	
	Check for unusual wear.	
Safety Chains at Hitch Ball	Check for abrasion, distortion and general integrity of links.	Every Trip
Coupler	Check for proper fastening and hitch pin in position and secure.	Every Trip
Load Distribution	Check load distribution and security.	Every Trip
Welds	Check all weld beads for cracks or separations.	Every 6000 mi. or 6 mos.
Electrical: Lights and Signals	Check to make sure all are working properly. Replace burned out bulbs.	Every trip
Axle Hubs, Bearings and Seals	Check for hub wear, sufficient grease, excessive play in bearings and leaking seals	Every 3000 mi or 3 mos.
<p><i>*Check lug nuts for tightness before initial trip, at 25 miles, and 100 miles. Recheck at least every 3 months or 3000 miles.</i></p>		

MAINTENANCE CHART PRESSURE WASHER

PROCEDURE	DAILY	3 MONTHS	6 MONTHS	9 MONTHS	12 MONTHS
Check engine oil level	X				
Change engine oil*****		X	X	X	X
Check water pump oil level	X				
Change water pump oil **		X	X	X	X
Oil leak inspection	X				
Fuel leak inspection	X				
Water leak inspection	X				
Hose inspection		X			
Water inlet filter inspection	X				
Check fuel filter		X	X	X	X
Replace fuel filter			X	X	X
Inspect belts		X	X	X	X
Replace high pressure nozzle***		X	X	X	X
Inspect fuel pump filter*					X
Replace fuel nozzle*					X
Check burner air adjustment					X
Check burner electrodes*		X	X	X	X
Test water pressure*					X
Test fuel pressure*		X	X	X	X
Test water temperature*		X	X	X	X
Descale coil*****		X	X	X	X

* Must be performed by an authorized service technician.

** The pump oil must be changed after the first 50 hours of operation and every 250 hours or 3 months, whichever comes first.

*** High pressure nozzle should be replaced whenever pressure is less than 85%.

**** Scale buildup will vary with mineral content in the water and amount of usage. Descaling can range from weekly to yearly maintenance.

***** The engine oil must be changed after the first 8 hours of operation and every 50 hours or 3 months, whichever comes first.

STATEMENT OF WARRANTY

Manufacturer warrants all parts (except those referred to below) of your new pressure washer to be free from defects in materials and workmanship during the following periods:

For Lifetime:

Pump Manifold

For Ten (10) Years from the date of original purchase:

High Pressure Pump (General Pump Only)

For Seven (7) Years from the date of original purchase:

High Pressure Pump (AR Pump Only)

For Five (5) Years from the date of original purchase:

Heat Exchanger Coil

For Two (2) Years from the date of original purchase:

Frame	Burner
Guards or Shields	Pulleys
Plumbing	

For Six (6) Months from the date of original purchase:

Burner Motor	Ignition Transformer
--------------	----------------------

For Ninety (90) days from the date of original purchase:

Control Switches	Safety Switches
Unloader Valve	Fuel Pump
Capacitor	

For Thirty (30) days from the date of original purchase:

High Pressure Hose	Trigger Gun
Strainer/Filters	

Defective parts not subject to normal wear and tear will be repaired or replaced at Manufacturer's option during the warranty period. In any event, reimbursement is limited to the purchase price paid.

EXCLUSIONS

1. Engine/Motor are covered under separate warranty by its respective manufacturer and is subject to the terms set forth therein.
2. Normal wear parts:

Pump Packings	Spray Nozzles
Pump Valves	Quick Connectors
Detergent Valves	Fuel Filters
3. This warranty does not cover parts damaged due to normal wear, misapplication, misuse, operation at other than recommended speeds, pressures or temperature. Parts damaged or worn because of the use of caustic liquids or by operation in abrasive or corrosive environments or under conditions causing pump cavitation are not warranted. Failure to follow recommended operating and maintenance procedures also voids warranty.
4. The use of other than genuine parts will void warranty. Parts returned, prepaid to the manufacturer's factory or to an Authorized Service Center will be inspected and replaced free of charge if found to be defective and subject to warranty. There are no warranties which extend beyond the description of the face hereof. Under no circumstances shall the manufacturer bear any responsibility for loss of use of the unit, loss of time or rental, inconvenience, commercial loss or consequential damages.

CALIFORNIA EVAPORATIVE EMISSIONS CONTROL WARRANTY STATEMENT YOUR WARRANTY RIGHTS AND OBLIGATIONS

The California Air Resources Board and the manufacturer are pleased to explain the emission control system's warranty on your 2018/2019 small off-road engine/equipment (SORE). In California, new equipment that use small off-road engines must be designed, built and equipped to meet the State's stringent anti-smog standards. The manufacturer must warrant the evaporative emissions control system (EECS) on your SOREs for the period listed below provided there has been no abuse, neglect or improper maintenance of your equipment leading to the failure of the evaporative emission control system.

Your EECS may include parts such as the carburetor, fuel tanks, fuel lines (for liquid fuel and fuel vapors), fuel caps, valves, canisters, filters, clamps, connectors, and other associated components. Where warrantable conditions exist, the manufacturer will repair your small off-road engine at no cost to you including diagnosis, parts and labor.

MANUFACTURER'S WARRANTY COVERAGE:

This EECS is warranted for two years. If any evaporative emissions-related part on your small off-road engine/equipment is defective, the part will be repaired or replaced by the manufacturer.

OWNER'S WARRANTY RESPONSIBILITIES:

-As the SORE owner, you are responsible for performance of the required maintenance listed in your owner's manual. The manufacturer recommends that you retain all receipts covering maintenance on your SORE, but the manufacturer cannot deny warranty coverage solely for the lack of receipts.

-As the SORE owner, you should be aware that the manufacturer may deny you warranty coverage if your SORE or a part has failed due to abuse, neglect, or improper maintenance or unapproved modifications.

-You are responsible for presenting your SORE to distribution center or service center authorized by the manufacturer, 50 Mi-T-M Drive, Peosta, IA 52068 (herein Mi-T-M) as soon as the problem exists. The warranty repairs shall be completed in a reasonable amount of time, not to exceed 30 days.

If you have a question regarding your warranty coverage, you should contact the manufacturer Customer Service Department at 1-800-553-9053 or by emailing us at corp@mitm.com.

GENERAL EMISSIONS WARRANTY COVERAGE - CALIFORNIA ONLY -

The manufacturer warrants to the ultimate purchaser and each subsequent purchaser that the SORE (1) has been designed, built and equipped so as to conform with all applicable regulations; and (2) is free from defects in materials and workmanship that cause the failure of a warranted part to conform with those regulations as may be applicable to the terms and conditions stated below.

- (a) The warranty period begins on the date the engine is delivered to an ultimate purchaser or first placed into service. The warranty period is two years.
- (b) Subject to certain conditions and exclusions as stated below, the warranty on emissions related parts is as follows:
 - (1) Any warranted part that is not scheduled for replacement as required maintenance in your owner's manual is warranted for the warranty period stated above. If the part fails during the period of warranty coverage, the part will be repaired or replaced by the manufacturer according to subsection (4) below. Any such part repaired or replaced under warranty will be warranted for the remainder of the period.
 - (2) Any warranted part that is scheduled only for regular inspection in your owner's manual is warranted for the warranty period stated above. Any such part repaired or replaced under warranty will be warranted for the remaining warranty period.
 - (3) Any warranted part that is scheduled for replacement as required maintenance in your owner's manual is warranted for the period of time before the first scheduled replacement date for that part. If the part fails before the first scheduled replacement, the part will be repaired or replaced by the manufacturer according to subsection (4) below. Any such part repaired or replaced under warranty will be warranted for the remainder of the period prior to the first scheduled replacement point for the part.
 - (4) Repair or replacement of any warranted part under the warranty provisions herein must be performed at a warranty station at no charge to the owner.
 - (5) Notwithstanding the provisions herein, warranty services or repair will be provided at all of our distribution centers that are franchised to service the subject engines.
 - (6) The owner must not be charged for diagnostic labor that leads to the determination that a warranted part is in fact defective, provided that such diagnostic work is performed at a warranty station.
 - (7) Throughout the engine warranty period stated above, the manufacturer will maintain a supply of warranted parts sufficient to meet the expected demand for such parts.
 - (8) Any replacement parts that do not increase the exhaust or evaporative emissions of the engine or evaporative emission control system must be used in the performance of any warranty maintenance or repairs and must be provided without charge to the owner. Such use will not reduce the warranty obligations of the manufacturer.
 - (9) Add-on or modified parts that are not exempted by the Air Resources Board may not be used. The use of any non-exempted add-on or modified parts by the ultimate purchaser will be grounds for disallowing a warranty claims. The manufacturer will not be liable to warrant failures of warranted parts caused by the use of a non-exempted add-on or modified part.

(10) The manufacturer shall provide any documents that describe that the manufacturer warranty procedures or policies within five working days of request by the Executive Officer.

(c) WARRANTED PARTS:


The repair or replacement of any warranted part otherwise eligible for warranty coverage may be excluded from such warranty coverage if the manufacturer demonstrates that the engine has been abused, neglected, or improperly maintained, and that such abuse, neglect, or improper maintenance was the direct cause of the need for repair or replacement of the part. That notwithstanding, any adjustment of a component that has a factory installed, and properly operating, adjustment limiting device is still eligible for warranty coverage. The following emissions warranty parts list are covered.

- (1) Fuel Tank*
- (2) Fuel Cap
- (3) Fuel Lines (for liquid fuel and fuel vapors)
- (4) Fuel Line Fittings
- (5) Clamps*
- (6) Pressure Relief Valves*
- (7) Control Valves*
- (8) Control Solenoids*
- (9) Electronic Controls*
- (10) Vacuum Control Diaphragms*
- (11) Control Cables*
- (12) Control Linkages*
- (13) Purge Valves*
- (14) Gaskets*
- (15) Liquid/Vapor Separator
- (16) Carbon Canister
- (17) Canister Mounting Brackets
- (18) Carburetor Purge Port Connector


* Note: As they relate to the evaporative emission control system.

INTRODUCCIÓN	36
¡IMPORTANTE!	36
ADVERTENCIAS DE SEGURIDAD	37
HMT-4004-0MGH CARACTERÍSTICAS	43
INSTALACIÓN Y PREPARACIÓN	44
ADVERTENCIA	51
INSTRUCCIONES DE OPERACIÓN	52
ALMACENAJE Y MANTENIMIENTO	56
LOCALIZACION DE FALLAS	59
TABLA DE MANTENIMIENTO DEL REMOLQUE.....	62
TABLA DE MANTENIMIENTO	63

ADVERTENCIA

 **ADVERTENCIA:** Este producto puede exponerlo a productos químicos, incluido el plomo, que el Estado de California conoce a causar cáncer y defectos congénitos u otros daños reproductivos. Para obtener más información, visite www.P65Warnings.ca.gov

ADVERTENCIA

 **ADVERTENCIA:** Este producto puede exponerle a químicos incluyendo carbon monoxide, que es conocido por el Estado de California como causante de defectos de nacimiento u otros daños reproductivos. Para mayor información, visite www.P65Warnings.ca.gov.

INTRODUCCIÓN

¡Felicitaciones por la compra de su nueva lavadora a presión! Puede estar seguro que su lavadora a presión fue construida con el nivel más alto de precisión y exactitud. Cada componente ha sido probado rigurosamente por técnicos para asegurar la calidad, la resistencia y el rendimiento de esta unidad. Con más de veinte años de experiencia en la construcción de lavadoras a presión, usted ha tomado una sabia decisión en seleccionar una lavadora a presión.

Este manual del operador fue compilado para su beneficio. Leyendo y siguiendo los pasos simples de seguridad, instalación, operación, mantenimiento y localización de fallas descritos en este manual ayudará a prolongar aun más la operación libre de fallas que usted puede esperar de su nueva lavadora a presión. El contenido de este manual está basado en la información actualizada disponible al momento de la publicación. Fabricante se reserva el derecho de efectuar cambios en precio, color, materiales, equipo, especificaciones o modelos en cualquier momento sin previo aviso.

¡IMPORTANTE!

Estos párrafos están rodeados por una “CASILLA DE ALERTA DE SEGURIDAD”. Esta casilla se usa para designar y enfatizar las Advertencias de Seguridad que deben seguirse al operar esta lavadora a presión. Acompañando a las Advertencias de Seguridad están las “palabras de alerta” que designan el grado o nivel de seriedad de riesgo. Las “palabras de alerta” usadas en este manual son las siguientes:

PELIGRO: Indica una situación inminente riesgosa la cual, si no se evita, RESULTARA en la muerte o en lesiones graves.

ADVERTENCIA: Indica una situación potencialmente riesgosa la cual, si no se evita, PODRIA resultar en la muerte o en lesiones graves.



PRECAUCION: Indica una situación potencialmente riesgosa la cual, si no se evita PUEDE resultar en lesiones menores o moderadas.



El símbolo indicado a la izquierda de este párrafo es el “Símbolo de Alerta de Seguridad”. Este símbolo se usa para alertarlo acerca de artículos o procedimientos que podrían ser peligrosos para usted u otras personas usando este equipo.



PROVEA SIEMPRE UNA COPIA DE ESTE MANUAL A CUALQUIER PERSONA QUE USE ESTE EQUIPO. LEA TODAS LAS INSTRUCCIONES ANTES DE OPERAR ESTA LAVADORA A PRESION, OBSERVANDO EN PARTICULAR LAS “ADVERTENCIAS DE SEGURIDAD” PARA EVITAR LA POSIBILIDAD DE LESIONES PERSONALES AL OPERADOR.

Escriba el número de serie de su unidad en el espacio provisto abajo, una vez que la unidad haya sido desempacada.

NUMERO DE SERIE _____



Inspeccione por daño el contenido de la caja. Si algo parece dañado, NO LA DEVUELVA AL LUGAR DE COMPRA. Llame a su representante de servicio al cliente.

Por favor tenga disponible la información siguiente para todas las llamadas de servicio:

1. Número de modelo
2. Número de serie
3. Fecha y lugar de compra



ADVERTENCIAS DE SEGURIDAD

Lea todas Las advertencias de seguridad antes de usar la lavadora a presión.

PELIGRO	POSIBLE CONSECUENCIA	PREVENCIÓN
<p style="text-align: center;">RIESGO DE EXPLOSIÓN O INCENDIO</p> <div style="text-align: center;">   </div>	<p>Pueden ocurrir lesiones graves o fatales ocasionadas por chispas normales en las fuentes de ignición múltiples o en el escape del motor y del quemador.</p> <p>Pueden ocurrir lesiones graves o fatales como consecuencia de un procedimiento inadecuado al reabastecer de combustible.</p> <p>Pueden ocurrir lesiones graves o fatales de la batería.</p>	<p>Siempre opere la lavadora en una área bien ventilada libre de vapores inflamables, polvo combustible y gases o materiales combustibles.</p> <p>No almacene la lavadora a presión cerca de una llama abierta o equipo como hornos, calefactores, calentadores de agua, etc., que usen una llama piloto o dispositivo de encendido por chispa.</p> <p>¡No use esta lavadora a presión para atomizar material inflamable!</p> <p>No fume mientras llene los tanques de combustible.</p> <p>Nunca llene los tanques de combustible mientras el motor aún esté en marcha o esté caliente. Permita que el motor se enfríe dos minutos antes de volver a cargar combustible.</p> <p>No llene los tanques de combustible en interiores o en una área con poca ventilación.</p> <p>Siempre vierta el combustible lentamente para evitar la posibilidad de un derrame, lo cual podría provocar un incendio.</p> <p>Tanque de combustible del motor:</p> <p>Si se usa un motor de gasolina, llene únicamente con gasolina. No use diesel ni petróleo o aceite combustible.</p> <p>Tanque de combustible del quemador:</p> <p>Al llenar el tanque de combustible del quemador, use aceite de combustible diesel o queroseno No.1 ó No.2. No use gasolina, drenajes de cigüenal, o aceite que tiene gasolina o solventes.</p> <p>No opere la unidad si se derrama gasolina o combustible de diesel. Con un paño, limpie completamente la lavadora a presión y aléjela del derrame. Evite crear cualquier ignición hasta que el combustible de gasolina o diesel se haya evaporado.</p> <p>Cuando la batería está activando la batería tiene gases de hidrógeno y oxígeno que son muy explosivos. No tenga chipas abiertas o flares cerca de batería nunca, especialmente cuando cargando la batería.</p> <p>Antes de servicando, asegúrese de que desconectar terminal de tierra de la batería. Cuando desconectando cable de la batería, empezar con terminal negativo, y cuando las conectando, empezar con el positivo cable.</p> <p>Quitar bombas de rejilla de ventilación de la batería, cuando cargando la batería.</p> <p>Use contador de voltio o hidrocantador para controlar la carga de la batería.</p> <p>No hacer arrancar la batería a menos que las dos baterías tener voltaje igual y amperio igual.</p>



ADVERTENCIAS DE SEGURIDAD

Lea todas Las advertencias de seguridad antes de usar la lavadora a presión.

PELIGRO	POSIBLE CONSECUENCIA	PREVENCIÓN
<p>RIESGO DE INCENDIO</p> 	<p>Pueden ocurrir lesiones graves o fatales como consecuencia de un incendio al ras de tierra ocasionado por una chispa del silenciador.</p> <p>Pueden ocurrir lesiones graves o fatales si no se mantienen correctamente los dispositivos de seguridad del sistema.</p>	<p>Es necesario para agregar un arrestador de chispas en el moefle de este motor cuando usar con tierra que tener algo cultivo agrícola flamable (heno o grano), y si usarlos en o cerca de broza o areas forestales. El operador tiene que mantener el arrestador en order efectuar. En el estado de California, lo anterior es obligatorio por ley. (Sección 4442 del Código de Recursos Públicos de California). Otros estados quizá tengan leyes similares. En terrenos federales se aplican las leyes federales.</p> <p>Esta lavadora a presión tiene un dispositivos de seguridad aparato que nunca deben ser alterados, modificados, extraídos o desconectados. Si falla el dispositivo, reemplácelo inmediatamente con un repuesto genuino del fabricante.</p>
<p>RIESGO DE ASFIXIA</p> 	<p>Pueden sufrirse lesiones graves o fatales como consecuencia de la inhalación de gases del escape del motor/quemador o vapores peligrosos. El gas que emana del escape de este producto contiene sustancias químicas identificadas por el Estado de California como agentes que provocan cáncer, defectos de nacimiento o daños reproductivos.</p>	<p>Esta lavadora a presión fue diseñada para uso externo únicamente. Nunca opere esta lavadora a presión en una área cerrada. Siempre asegúrese de que exista ventilación adecuada (aire externo fresco) para la respiración y la combustión. Esto impedirá la acumulación de gases peligrosos de monóxido de carbono. Tenga cuidado en las áreas de poca ventilación, o áreas con ventiladores de extracción que pueden provocar un intercambio deficiente de aire.</p> <p>Obedezca todas las instrucciones proporcionadas con los materiales que está rociando. Quizá sea necesario usar un respirador cuando se trabaje con ciertos materiales. No use esta lavadora a presión para distribuir detergentes peligrosos.</p>


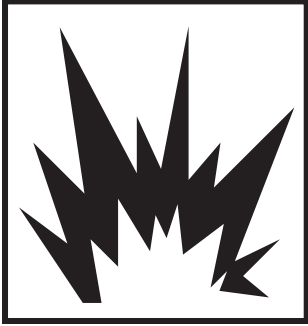

ADVERTENCIAS DE SEGURIDAD

Lea todas Las advertencias de seguridad antes de usar la lavadora a presión.

PELIGRO	POSIBLE CONSECUENCIA	PREVENCIÓN
<p style="text-align: center;">RIESGO DE INYECCIÓN O LESIÓN POR CORTADURA SEVERA</p> <div style="text-align: center;">  </div>	<p>Pueden sufrirse lesiones graves o fatales como consecuencia de la atomización a alta presión con penetración en la piel.</p>	<p>¡Manténgase completamente alejado de la boquilla y el atomizador! Nunca coloque la mano, los dedos o el cuerpo directamente sobre la boquilla de rocío.</p> <p>Nunca apunte el atomizador alta presión hacia usted mismo o hacia otra persona. Solamente operadores calificados usan este equipo.</p> <p>Siempre mantenga el área de trabajo despejada de personas.</p> <p>NO PERMITA que algún niño opere esta unidad.</p> <p>¡BUSQUE ATENCIÓN MÉDICA DE EMERGENCIA si parece que el rocío ha penetrado la piel! ¡No lo trate como una simple cortadura!</p> <p>Debe inspeccionar diariamente las mangueras de alta presión y las líneas de combustible para buscar señales de desgaste. Si hay evidencia de falla, reemplace inmediatamente todas las mangueras y líneas de combustible sospechosas para prevenir la posibilidad de lesiones por el rocío a alta presión. Si una manguera o conexión tiene alguna fuga, NO COLOQUE SU MANO DIRECTAMENTE SOBRE LA FUGA.</p> <p>NUNCA opere la pistola con el gatillo fijado en la posición abierta. Para prevenir una descarga accidental, la pistola debe tener bien trabado el seguro del gatillo cuando no se encuentre en uso.</p> <p>Antes de retirar la boquilla de rocío o dar servicio a la unidad, apague la unidad y tire del gatillo de la pistola para liberar la presión. (Aun cuando apague la unidad, todavía quedará agua a alta presión en la bomba, la manguera y la pistola hasta que la libere jalando el gatillo de la pistola.)</p>
<p style="text-align: center;">RIESGO DE ELECTROCUCIÓN O CHOQUE ELÉCTRICO</p> <div style="text-align: center;">  </div>	<p>Pueden sufrirse lesiones graves o fatales debido al contacto con la electricidad.</p>	<p>¡NO dirija el rocío hacia instalaciones eléctricas de ninguna clase! Esto incluye tomas eléctricas, lámparas, cajas de fusibles, transformadores, la unidad misma, etc.</p> <p>NO permita que los componentes de metal de la lavadora a presión entren en contacto con componentes eléctricos cargados.</p>

ADVERTENCIAS DE SEGURIDAD

Lea todas Las advertencias de seguridad antes de usar la lavadora a presión.

PELIGRO	POSIBLE CONSECUENCIA	PREVENCIÓN
<p>RIESGO DE QUEMADURAS</p> 	<p>Pueden producirse lesiones graves si se toca el motor de gasolina, el silenciador o el intercambiador de calor. Estas áreas pueden permanecer calientes por algún tiempo después de que se ha apagado la lavadora a presión.</p>	<p>Nunca permita que ninguna parte de su cuerpo haga contacto con el motor de gasolina, el silenciador o el intercambiador de calor.</p>
<p>RIESGO DE EXPLOSIÓN</p> 	<p>Pueden producirse lesiones graves debido al mal funcionamiento de la lavadora a presión o la explosión de accesorios si se usan componentes, aditamentos o accesorios que no correspondan al sistema.</p> <p>Pueden producirse lesiones graves o fatales si se intenta arrancar la lavadora a presión cuando esté congelada la bomba.</p>	<p>Nunca haga ajustes a las presiones configuradas en la fábrica.</p> <p>Nunca exceda la máxima graduación de presión de los accesorios permitida por el fabricante.</p> <p>No permita que alguna de las mangueras haga contacto con el silenciador del motor, el motor de gasolina o el intercambiador de calor para prevenir la posibilidad de explosión. No arrastre las mangueras sobre superficies abrasivas como el cemento.</p> <p>Solo use las partes de reparación para su lavadora a presión recomendadas por el fabricante.</p> <p>En temperaturas de congelación, la unidad siempre deberá permanecer lo suficientemente caliente como para asegurar que no haya formación de hielo en la bomba. No arranque la lavadora a presión si ha sido transportada en un vehículo abierto o de calefacción deficiente, sin primero permitir que la unidad se descongele.</p>
<p>RIESGO POR PARTES EN MOVIMIENTO</p> 	<p>El operador puede sufrir de lesiones graves si hace contacto con las partes en movimiento de la lavadora a presión.</p>	<p>Antes de hacer cualquier ajuste, asegúrese de que el motor esté apagado y que el cable o los cables de ignición estén separados de las bujías de ignición. Al voltear la máquina manualmente durante el ajuste o la limpieza puede arrancar el motor y junto con él, la máquina.</p> <p>No opere la unidad sin que todas las cubiertas protectoras se encuentren en su lugar.</p>

ADVERTENCIAS DE SEGURIDAD

Lea todas Las advertencias de seguridad antes de usar la lavadora a presión.

PELIGRO

POSIBLE CONSECUENCIA

PREVENCIÓN

RIESGO DE LESIONES



Pueden ocurrir lesiones graves o fatales si los detergentes entran en contacto con la piel.

Pueden ocurrir lesiones graves provocadas por partículas sueltas proyectadas a gran velocidad a través la pistola atomizadora.

Pueden ocurrir lesiones si el operador pierde el equilibrio causado por el impulso del agua que está atravesando la boquilla de rocío.

¡BUSQUE ATENCIÓN MÉDICA DE EMERGENCIA si está usando agentes de limpieza y siente que el rocío ha penetrado la piel! ¡NO LO TRATE COMO UNA SIMPLE CORTADURA! Lea la hoja de datos de seguridad del material (MSDS) proporcionada con su detergente para estar preparado y poder informar a su médico exactamente qué tipo de detergentes estaba usando.

Nunca use solventes o detergentes altamente corrosivos o limpiadores de tipo ácido con esta lavadora a presión.

Se aconseja usar equipo protector como trajes de goma, guantes y respiradores, especialmente cuando se usen detergentes limpiadores.

¡Mantenga todos los detergentes fuera del alcance de los niños!

SIEMPRE use gafas protectoras cuando opere la unidad para proteger sus ojos contra residuos y detergentes lanzados al aire.

NO DIRIJA el atomizador hacia materiales frágiles tales como vidrio, ya que podría ocasionar su ruptura.

Manténgase alerta — vigile lo que esté haciendo. No opere la unidad cuando esté fatigado o bajo la influencia de alcohol o drogas.

NUNCA apriete el gatillo a menos de que esté firmemente parado.


NO se estire demasiado ni se pare sobre un soporte inestable.

Las superficies mojadas pueden estar resbaladizas, use equipo protector y mantenga un punto de apoyo y buen equilibrio en todo momento.

NUNCA accione la pistola mientras se encuentre en una escalera o sobre un techo.

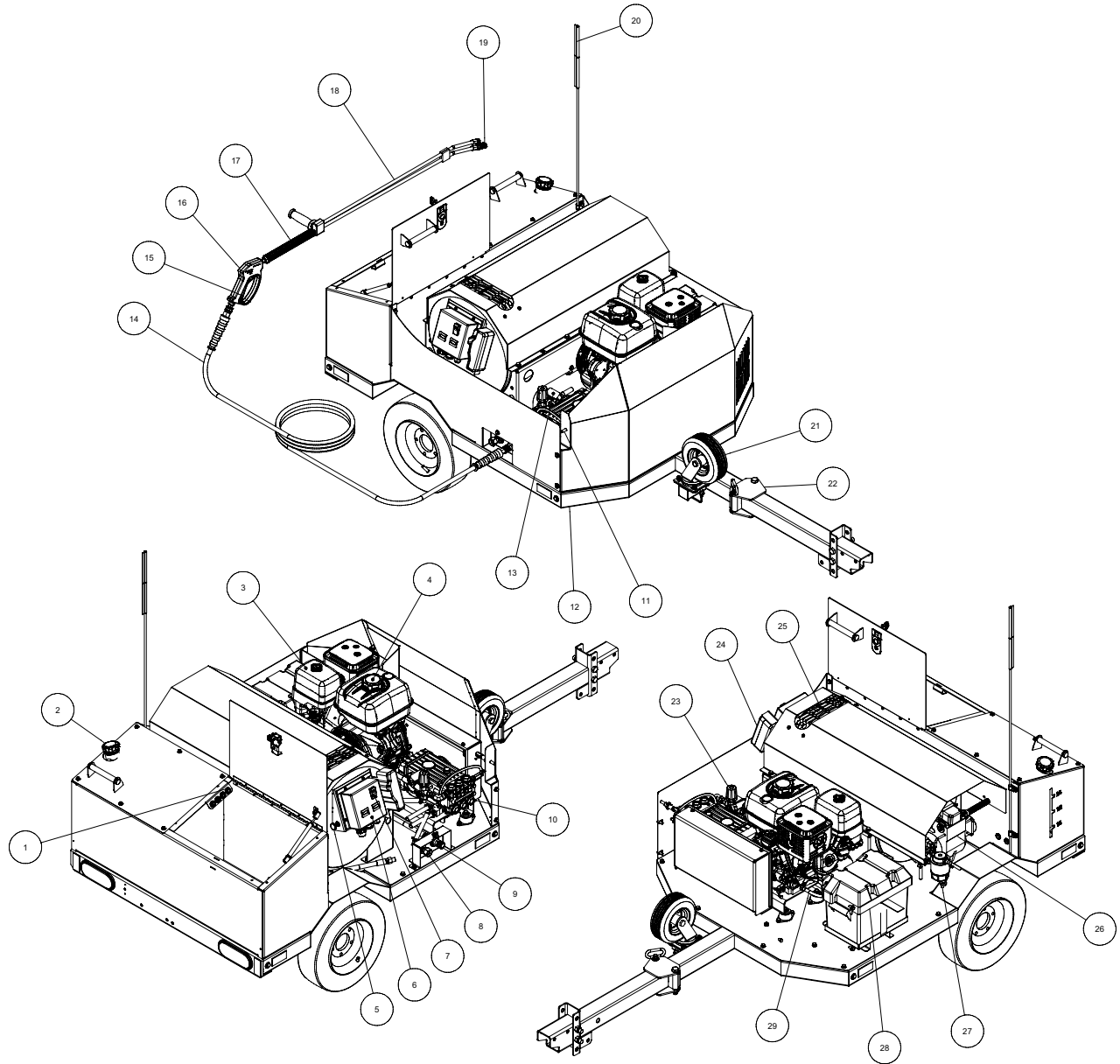
ADVERTENCIAS DE SEGURIDAD

Lea todas Las advertencias de seguridad antes de usar la lavadora a presión.

PELIGRO	POSIBLE CONSECUENCIA	PREVENCIÓN
<p data-bbox="154 199 446 231">RIESGO DE LESIONES</p> 	<p data-bbox="508 199 935 258">Pueden ocurrir lesiones provocadas por la lavadora a presión.</p>	<p data-bbox="951 199 1458 317">SIEMPRE sostenga firmemente el conjunto de pistola/varilla cuando arranque y opere la unidad. No hacerlo podría provocar que la varilla se caiga y se azote peligrosamente.</p> <p data-bbox="951 331 1463 420">Sepa como detener la lavadora a presión y aliviar las presiones rápidamente. Familiarícese por completo con estos controles.</p> <p data-bbox="951 434 1458 493">Siga todas las instrucciones de mantenimiento que especificós en la manual.</p> <p data-bbox="951 508 1463 596">NO permita que la unidad presurizada permanezca sola. Apague la lavadora de presión y libere la presión antes de irse.</p> <p data-bbox="951 611 1463 749">NO OPERE la unidad si detecta fugas de combustible, aceite o agua de la máquina. NO reanude la operación hasta que la unidad haya sido inspeccionada y reparada por un técnico capacitado para el servicio.</p> <p data-bbox="951 764 1442 852">NUNCA accione la unidad con el regulador desconectado ni opere a velocidades excesivas.</p> <p data-bbox="951 867 1458 1098">Coloque la unidad sobre una superficie limpia, seca y plana para darle servicio. Antes de dar mantenimiento a la unidad, apáguela, alivie la presión de agua apretando el gatillo de la pistola, y permita que la unidad se enfríe. Realice el mantenimiento en un área limpia, seca y plana. Donde sea necesario, bloquee las ruedas para prevenir el movimiento de la unidad.</p> <p data-bbox="951 1155 1442 1184">No tire de la manguera para mover la unidad.</p>

 **¡SALVE ESTAS INSTRUCCIONES!** 

HMT-4004-OMGH CARACTERÍSTICAS



- | | |
|--|--|
| 1. Poseedor de boquilla de conexión rápido | 16. Gatillo de pistola |
| 2. Tanque de comestible- Verde / 10 galón | 17. Lanza aislamiento |
| 3. Motor | 18. Doble- Lanza de presión ajustable |
| 4. Tanque de gas- rojo / 10 galón | 19. Boquilla de presión alta |
| 5. Estárter | 20. Bandera De Seguridad |
| 6. Panel de control | 21. Ensamblaje De Ruedas |
| 7. Interruptor | 22. Acoplador Oscilante |
| 8. Entrada de agua | 23. Valvula de descarga caliente/ Valvula de descargar |
| 9. Salida de agua | 24. Interruptor De Llave |
| 10. Bomba de presión alta | 25. Salida de intercambiadora de calor |
| 11. Gancho de la pistola | 26. Ajustado de quemador del aire |
| 12. Asamblea de armazón | 27. Filtro de comestible / separador de agua |
| 13. Interruptor de presión | 28. Caja de batería |
| 14. Manguera de presión alta | 29. Sumidero del aceite de motor |
| 15. Cerradura de seguridad de gatillo | |

INSTALACIÓN Y PREPARACIÓN

SEGURIDAD:

⚠️ ADVERTENCIA: NO OPERE ESTE REMOLQUE HASTA QUE HAYA LEÍDO Y COMPRENDIDO ESTE MANUAL.

1. Lea y entienda minuciosamente todas las instrucciones antes de utilizar este remolque.

INFORMACIÓN SOBRE DEFECTOS DE SEGURIDAD:

Si usted cree que su vehículo tiene un defecto que podría causar un accidente o causar lesiones o muerte, debe informar inmediatamente a la Administración Nacional de Seguridad del Tráfico de Carreteras (NHTSA por sus siglas en inglés) además de notificar al fabricante del remolque.

Si NHTSA recibe denuncias similares, puede iniciar una investigación y, si se determina que existe algún defecto de seguridad en un grupo de vehículos, se puede ordenar una campaña de recuperación y reparación. Sin embargo, NHTSA no puede involucrarse en problemas individuales entre usted y su distribuidor local.

Para comunicarse con NHTSA, puede llamar al número gratuito de Línea Directa De Seguridad Automática al 1-800-424-9393 (o al 366-0123 en el área de Washington, DC) o escribir a NHTSA, Departamento De Transporte De Los Estados Unidos, Washington, DC 20590. También puede obtener información sobre la seguridad de los vehículos de motor en línea directa.

ANTES DE ACARREAR EL REMOLQUE:

⚠️ ADVERTENCIA: ANTES DE UTILIZAR UN VEHICULO DE ACARREO CON UN REMOLQUE, VERIFIQUE QUE EL VEHICULO HAYA SIDO DESIGNADO PARA LA CARGA. UTILIZAR UN VEHICULO DEMASIADO PEQUEÑO ES MUY PELIGROSO. ASEGURESE DE QUE PUEDA MANEJAR EL M.G.T.W. (PESO MAXIMO DEL REMOLQUE POR SU SIGLAS EN INGLES) Y EL PESO DE LA LENGÜETA PARA ACARREOS Y FRENOS SEGUROS.

SELECCIÓN DEL EQUIPO DE REMOLQUE ADECUADO

PESO

Al seleccionar el equipo de remolque adecuado, los dos factores más importantes que deben ser considerados son el M.G.T.W. (Peso Bruto Máximo Del Remolque) y el Peso De La Lengüeta. El M.G.T.W. es el peso total del remolque más la carga útil del remolque. El peso de la lengüeta es la presión descendente ejercida en el acoplador. La forma más sencilla de medir el peso bruto del remolque es colocando el remolque cargado en una báscula o balanza para vehículos, asegurándose de que la misma soporte todo el peso del remolque cargado.

El método más sencillo para medir el peso de la lengüeta (hasta 300 libras) es colocar el soporte del gato (lengüeta del remolque) en una báscula o balanza casera asegurándose de que el remolque esté nivelado. Para lengüetas de mayor peso, coloque una tabla sobre la balanza casera y un objeto sólido del mismo grosor a la balanza con un pedazo de cañería entre uno y el otro. La lengüeta del remolque debe estar nivelada y en su posición de remolque normal. Multiplique la lectura de la balanza por tres (3) para obtener el peso de la lengüeta. Asegúrese de que el vehículo de remolque pueda remolcar la carga.

- Asegúrese de que la capacidad de enganche sea igual o superior a la carga cuando esté montada en el vehículo.
- Asegúrese de que el tamaño y la clasificación de la bola de enganche sean iguales o superiores a la carga.
- Asegúrese de que el valor nominal de las cadenas de seguridad sea igual o superior al doble del peso bruto máximo del remolque.
- Es contrario a la ley llevar pasajeros en la parte trasera de cualquier remolque.
- Cualquier modificación o cambio realizado en el remolque anula cualquier garantía expresa o implícita sobre el remolque o el equipo de remolque.
- Compruebe que las tuercas estén bien apretadas antes del viaje inicial, a 25 millas, y cada 100 millas de operación a partir de entonces.

VEHÍCULO DE REMOLQUE

Asegúrese de que el vehículo que utiliza para acarrear el remolque es capaz de acarrear el peso. Consulte el Manual De Propietario del vehículo para comprobar la capacidad de remolque del vehículo o póngase en contacto con el distribuidor de su automóvil para obtener información. Asegúrese de que el remolque del vehículo sea capaz de acarrear la carga. La capacidad de freno del vehículo es crítica y el vehículo de remolque debe ser capaz de manejar el peso adicional del remolque. El radiador y la refrigeración del sistema de transmisión también deben ser considerados.

CAPACIDAD DE ENGANCHE DEL REMOLQUE

Clase De Enganche	Capacidad Máxima De Remolque	Peso Máximo de Lengüeta
Subclase I	1000 Libras.	100 Libras.
Clase I	2000 Libras.	200 Libras.
Clase II	3500 Libras.	300 Libras.
Clases III y 4	5000 Libras. extra	500 Libras. extra

INSTALACIÓN Y PREPARACIÓN

CADENAS DE SEGURIDAD

En la siguiente tabla se enumeran las diferentes clases de cadenas de seguridad y carga nominal que debe soportar cada cadena.

Clase del Remolque	Peso del remolque en libras.	Fuerza de freno mínima en libras.
Clase I	hasta 2000 Libras	2000 Libras
Clase II	De 2000 a 3500 Libras	3500 Libras
Clase III	De 3500 a 5000 Libras	5000 Libras

⚠ ADVERTENCIA: LA NO FIJACIÓN ADECUADA DE CADENAS DE SEGURIDAD ENTRE EL REMOLQUE Y EL VEHÍCULO DE REMOLQUE PUEDE PRODUCIR UNA FUGA DEL MISMO.

⚠ ADVERTENCIA: PARA EVITAR ACCIDENTES, ANTES DE REMOLCAR:

- Enganche sólo al tamaño de la bola marcado en el acoplador.
- La abrazadera de la bola debe capturar la bola y la palanca o el volante está totalmente sujetado
- Cruce las cadenas de seguridad debajo el acoplador.
- Déjelo lo suficientemente flojo como para permitir giros.

CABLEADO ELECTRICO DEL REMOLQUE

Todos los remolques deben tener luces traseras, luces de freno y de giro conectadas al sistema eléctrico del vehículo de remolque. También se recomienda instalar una señal intermitente de giro de alta resistencia y una señal intermitente de emergencia (si están separadas) ya que las luces del remolque colocan una carga adicional en las unidades intermitentes del vehículo.

ACARREO DE CARGAS PESADAS DE REMOLQUE

Equipamiento adicional. Los siguientes artículos pueden ser útiles para remolcar cargas pesadas. Consulte el Manual De Propietario de su vehículo o concesionario para recomendaciones de accesorios de remolque.

- Resortes para sobrecarga
- Amortiguadores de aire o sobrecarga
- Aceite Para Refrigeración de Transmisión
- Refrigerador De Aceite De Motor
- Sistema De Refrigerante de Recuperación
- Ventilador Para Servicios Pesados
- Espejos Laterales
- Control De Balanceo

PRESION DE LOS NEUMATICOS

La presión de aire apropiada para sus neumáticos se encuentra impresa en las paredes exteriores de los mismos. Compruebe la presión de los neumáticos mientras están fríos. No suba ni baje dicha presión para cumplir con el peso de carga. Presión diferente a la recomendada provocará un desgaste excesivo o falla en los neumáticos.

Balanceo recomendado. El método de balanceo preferido es centrar los orificios de los pernos, ya que las ruedas de 13" a 16.5" no están centradas.

⚠ ADVERTENCIA: EN UN REMOLQUE NUEVO, LAS TUERCAS DE LAS RUEDAS DEBEN SER APRETADAS A LA ESPECIFICACIÓN DE TORSIÓN ADECUADA ANTES DEL USO, A 25 MILLAS DE OPERACIÓN Y CADA 100 MILLAS DE OPERACIÓN A PARTIR DE ENTONCES. SI NO SE COMPRUEBA EL CORRECTO APRIETE DE LAS TUERCAS, ESTO PUEDE RESULTAR EN UN ACCIDENTE DEBIDO A LA CAÍDA DE UNA RUEDA DEL REMOLQUE.

⚠ ADVERTENCIA: NUNCA OPERE UN REMOLQUE O VEHÍCULO DE REMOLQUE QUE TENGA UNA TUERCA SUELTA, FALTANTE O ROTA. EL REMOLQUE ESTÁ DISEÑADO PARA UNA SEGURA OPERACIÓN TENIENDO TODAS LAS TUERCAS APROPIADAMENTE INSTALADAS Y CON LA TORSIÓN APROPIADA. LA OPERACIÓN DEL REMOLQUE CON UNO O MÁS TUERCAS ROTAS O FALTANTES AUMENTA EN GRAN MEDIDA LA CARGA SOBRE LAS TUERCAS RESTANTES Y PUEDE CAUSAR LA FALLA DE LAS MISMAS, LO CUAL PUEDE RESULTAR EN UN ACCIDENTE DEBIDO A LA CAÍDA DE UNA RUEDA DEL REMOLQUE.

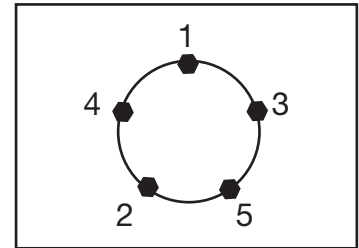
INSTALACIÓN Y PREPARACIÓN

TUERCAS DE LAS RUEDAS

Las tuercas de las ruedas deben ser apretadas con una llave dinamométrica. Consulte la tabla que aparece a continuación para conocer el par de torsión adecuado.

1. Comience apretando todas las tuercas a mano para prevenir que se enrosquen de mala manera.
2. Apriete las tuercas hacia la derecha.
3. El apriete de las tuercas debe hacerse por etapas. Siguiendo la secuencia recomendada, apriete las tuercas según la tabla de torsión de rueda que se muestra a continuación.
4. Las tuercas y tornillos de las ruedas deben ser apretadas antes de ser usadas por primera vez en la carretera y después de que las ruedas sean quitadas. Revise y vuelva a apretar después de las primeras 10 millas, 25 millas y otra vez en 50 millas.. Chequéelo periódicamente, a partir de entonces.

Secuencia de Torsión			
Tamaño de rueda	1ra Etapa	2da Etapa	3ra Etapa
16"	20-25	50-60	80-90

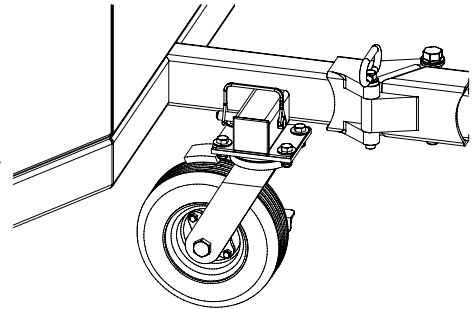


OPERACIÓN DE RUEDECILLAS

Este remolque está equipado con una ruedecilla montada en la lengüeta para su uso cuando no está acoplado al vehículo de remolque.

⚠ ADVERTENCIA: LA RUEDECILLA DEBE ESTAR EN POSICIÓN VERTICAL CUANDO ESTE CONECTADA AL VEHÍCULO DE REMOLQUE PARA QUE EL REMOLQUE SEA SEGURO Y ADECUADO.

Para colocar la ruedecilla en posición vertical, retire el pasador de seguridad y saque la ruedecilla del remolque. Gire el soporte de la ruedecilla 90 grados e instálela en el remolque. Instale el pasador de seguridad y cerciórese de que el cable de bloqueo esté asegurado.



OPERACION DE FRENOS

Este remolque está equipado con un mecanismo de freno montado sobre ruedecillas que se utiliza cuando no está acoplado al vehículo de remolque.

⚠ ADVERTENCIA: PARA EVITAR LESIONES, SE DEBE APLICAR EL FRENO DEL REMOLQUE CUANDO LA UNIDAD SE ENCUENTRE EN OPERACIÓN Y CUANDO NO ESTE EN USO.

Para activar el freno de ruedecilla, simplemente pulse la palanca de freno con el pie. Para desbloquear el freno, tire de la palanca de freno hacia arriba hasta que esté en posición horizontal.

⚠ ATENCION: EL COLOCAR LA PALANCA DE FRENO POR ENCIMA DE LA POSICIÓN HORIZONTAL NO PERMITIRÁ QUE LA RUEDECILLA GIRE Y PUEDE CAUSAR DAÑOS EN LA PINTURA.

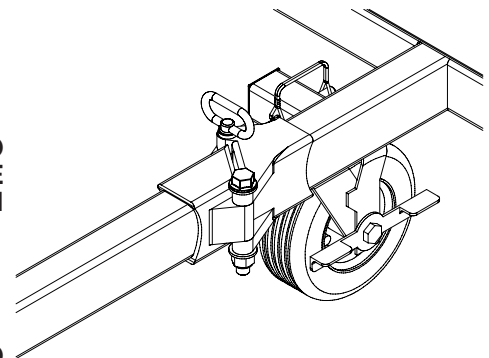
OPERACIÓN DE LA LENGÜETA OSCILANTE

Este remolque está equipado con un kit de acoplamiento de lengüeta oscilante para un almacenamiento compacto.

⚠ ADVERTENCIA: EL PERNO DE LA BISAGRA DEBE SER INSTALADO Y ASEGURADO DE MANERA OSCILANTE CUANDO SE LO ENGANCHA AL VEHÍCULO DE REMOLQUE PARA UN REMOLQUE SEGURO Y ADECUADO.

Para operar el acoplador oscilante, quite la clavija de la bisagra. Remueva la bisagra del acoplador y gire la lengüeta hacia un lado.

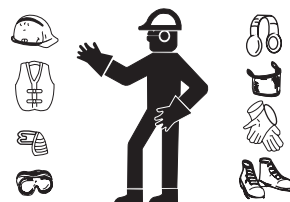
⚠ ATENCION: INSTALAR EL PERNO DE LA BISAGRA EN EL LADO FIJO DE LA OSCILACIÓN CUANDO ESTA SE USE PARA EVITAR PÉRDIDAS Y DAÑOS.



INSTALACIÓN Y PREPARACIÓN

VESTIMENTA:

Es importante usar ropa apropiada para su seguridad. Se aconseja usar cualquier medio necesario para proteger los ojos, las orejas y la piel. Posiblemente requiera equipo adicional de seguridad (como un respirador) cuando use detergentes limpiadores con esta lavadora.



PREPARACIÓN INICIAL:

1. Este aparato debe quedar siempre colocado sobre una superficie nivelada para asegurar la lubricación apropiada del motor y de la bomba de agua durante la operación. NUNCA rocíe agua directamente a la unidad.

⚠ ADVERTENCIA: ¡PELIGRO RIESGO DE EXPLOSIÓN O INCENDIO! -CUANDO SE CARGAN BATERÍAS, ÉSTAS GENERAN UN GAS DE HIDRÓGENO ALTAMENTE EXPLOSIVO. ¡UNA CHISPA PODRÍA CAUSAR UNA EXPLOSIÓN O UN INCENDIO!-NO ARRANQUE LA BATERÍA CON FUENTE DE ENERGÍA AUXILIAR A MENOS DE QUE AMBAS BATERÍAS SEAN DE VOLTAJE O AMPERAJE EQUIVALENTES.- NO FUME NI PERMITA QUE HAYA CHISPAS O LLAMAS CERCA DE LA BATERÍA.-NO COLOQUE LA UNIDAD EN UNA ÁREA DONDE PUEDAN EXISTIR VAPORES INFLAMABLES. UNA CHISPA PODRÍA PROVOCAR UNA EXPLOSIÓN O UN INCENDIO.

⚠ ADVERTENCIA: ¡RIESGO DE LA EXPLOSIÓN DE LA UNIDAD! ¡NO ALMACENE/OPERE LA UNIDAD EN AMBIENTES DE CONGELACIÓN!

⚠ ADVERTENCIA: ¡RIESGO DE ASFIXIA! ¡USE ESTE PRODUCTO ÚNICAMENTE EN ÁREAS BIEN VENTILADAS! NO OPERE EN UNA ÁREA ENCERRADA. EL ESCAPE EXPULSA MONÓXIDO DE CARBONO, UN GAS VENENOSO INODORO E INVISIBLE. RESPIRAR ESTE GAS PUEDE PROVOCAR LESIONES GRAVES, ENFERMEDAD O POSIBLE MUERTE.

2. No use esta unidad en un área:
 - a. sin suficiente ventilación
 - b. donde haya evidencia de fugas de aceite, gas o combustible.
 - c. donde pueda haber presencia de vapores inflamables.Esta unidad tiene varias fuentes de ignición que podrían provocar una explosión o incendio.
3. No permita que la unidad quede expuesta temperaturas de congelación. Si alguna parte de la unidad se congela, es posible que se acumule una presión excesiva en la unidad, lo cual podría provocar su estallido y consecuentemente posibles lesiones al operador o las personas alrededor.
4. El nivel de aceite de la bomba debe ser chequeado antes de cada uso. Compruebe el nivel de aceite en la mirilla de nivel de la parte trasera de la bomba. El nivel de aceite debe estar por la mitad de la mirilla. Si el nivel parece estar bajo, llénelo con aceite sin detergente de bomba de 10-40W. El nivel de aceite también puede comprobarse usando una varilla en la parte superior de la bomba.
5. Especificaciones De la Batería:
 - RV / Marine cylce profundo del propósito dual y batería que cigüeñal.
 - BCI grupo 24DC.
 - Tamaño de la caja de la batería: 27.9cm x 19.05cm x 20.9cm (la batería puede ser ligeramente más alta y todavía cubrir por la tapa.
 - La batería debe tener correa de elevación para la instalación fácil.

INSTALACIÓN Y PREPARACIÓN

TANQUES DE COMBUSTIBLE DEL MOTOR/QUEMADOR:

1. Lea las advertencias de “Riesgo de explosión o incendio”, página 64, antes de llenar con combustible.
2. Localice las calcomanías de seguridad en su unidad y preste atención a sus advertencias.
3. **Motores de gasolina:** Vea el manual del motor para necesidades de gasolina.
Combustible del quemador: Cuando llene el tanque (negro), use aceite de combustible No.1 o No.2/ diesel o queroseno.
4. Revise el nivel de aceite del motor antes de arrancarlo. (Vea el manual del motor).
5. Vea el manual del motor que se ha proporcionado con esta unidad, para familiarizarse con los procedimientos apropiados de ajuste.
6. **Repase el manual del motor que acompaña a esta lavadora a presión para familiarizarse con los procedimientos correctos de arranque y mantenimiento.**

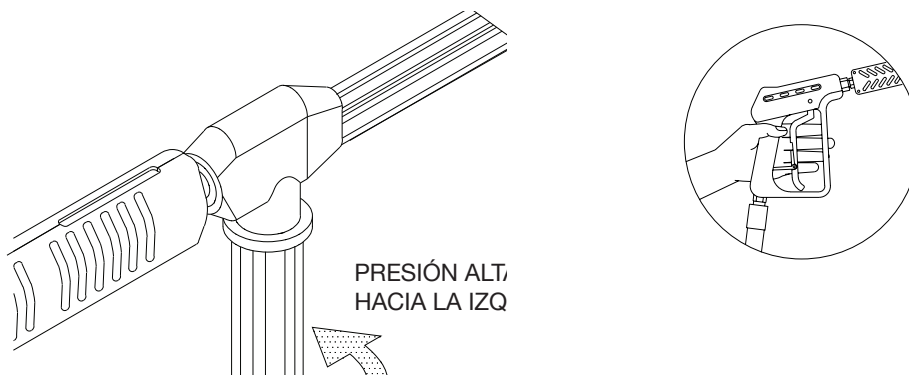
⚠ ADVERTENCIA: PELIGRO ¡RIESGO DE INCENDIO! ¡NO FUME MIENTRAS ESTÉ CARGANDO COMBUSTIBLE! NO LLENE LOS TANQUES DE COMBUSTIBLE MIENTRAS LA MÁQUINA ESTÉ EN FUNCIONAMIENTO O ESTÉ CALIENTE. PERMITA QUE LA MÁQUINA SE ENFRÍE POR DOS MINUTOS ANTES DE VOLVER A CARGAR COMBUSTIBLE. NO LLENE DEMASIADO LOS TANQUES DE COMBUSTIBLE PORQUE SE PUEDEN DERRAMAR. DEBE QUEDAR UN ESPACIO LIBRE DE 1/4” (6,5 MM) EN EL TANQUE PARA PERMITIR LA EXPANSIÓN DEL COMBUSTIBLE.

⚠ ADVERTENCIA: ¡RIESGO DE EXPLOSIÓN O INCENDIO! SIEMPRE ALMACENE EL COMBUSTIBLE LEJOS DE LA LAVADORA MIENTRAS LA UNIDAD ESTÉ EN FUNCIONAMIENTO O SE ENCUENTRE CALIENTE

CONJUNTO DE VARILLA DOBLE CON PRESIÓN AJUSTABLE:

Esta unidad tiene un conjunto de varilla doble con presión ajustable que permite al usuario seleccionar el rocío en abanico a baja o alta presión. Simplemente gire el mango ajustable de la varilla doble para seleccionar la presión deseada.

1. Se puede seleccionar la presión alta girando el mango ajustable en el conjunto de varilla doble en **sentido antihorario** como se muestra en la figura siguiente.
2. Se puede seleccionar la aplicación de detergente a baja presión girando el mango ajustable de la varilla doble en **sentido horario** como se muestra en la figura de abajo.



⚠ ADVERTENCIA: ¡RIESGO DE INYECCIÓN QUE PUEDE CAUSAR UNA LESIÓN GRAVE! LA PISTOLA DE GATILLO SIEMPRE DEBE ESTAR TRABADA EN SU POSICIÓN CERRADA CUANDO NO SE USE! ¡NUNCA VEA DIRECTAMENTE HACIA LA BOQUILLA A MENOS QUE ESTÉ DESCONECTADA DEL CONJUNTO DE PISTOLA Y VARILLA DOBLE!

INSTALACIÓN Y PREPARACIÓN

BOQUILLAS DE CONECTORES ROSCADOS:

Boquillas varias se puede estar conectores roscados en el fin de doble lanza para cambiar el diseño de atomizadora. La boquilla de detergente ha preinstalado en la fabrica. Cuando usando conexiones roscados (Q.C) asegúrese de que la conexión tiene cerradura seguras como el foto a la derecha. Si no está segura la presión alta se puede salir disparado la boquilla de la lanza. Este se puede ocurrir lesiones graves o danos serios. Referir al número que imprimió en la boquilla para determinar ventilador de atomizadora. Los dos dígitos primeros indicar el grado de ventilador de atomizador:

1. La boquilla de 0° (Rojo):

Esta es una boquilla de explosión. Repartir un corriente muy concentrado de agua. Ten cuidado cuando usando el corriente recto. No es recomendado para usar en superficies de madera o con pinta o cosas con repaldos con adhesivo. USAS: Eliminación de hierbas de grietas de aceras, manchas fuertes de concreto, manpostería, aluminio y acero, barro del equipo, y para limpiar partes inferiores de máquinas de cortar el césped.

2. La boquilla de 15° (Amarillo):

Esta es una boquilla de cincelar. La atomizadora se pone en un angle de 45° del superficie y usar como una rajadora para elimintar pinta, grasa, y mugre. USAS: Preparación de superficie (eliminación de manchas de mildew y astillas de pinta).

3. La boquilla de 40° (Blanco):

Esta boquilla es una boquilla de limpiando. Este diseño extenso de atomizadora dispatir la presión de agua alrededor un área grande y se recomendado para limpiando moderado. USAS: Limpiando de apartadero de aluminio, limpiando ventanillas, limpiando autos, atomizadando aceras, entradas de casas, y patios.

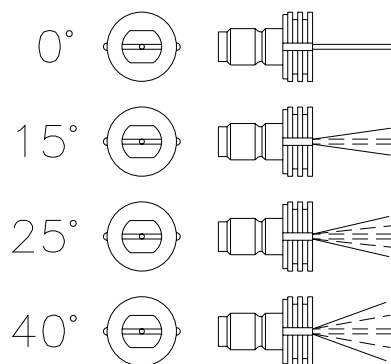
4. La boquilla de 25° (Verde):

Esta es una boquilla limpiando. Este diseño es mejor para limpiando de suciedad, barro, y mugre. Usas: Barrido de hojas mojadas de aceras, bordillos, entradas para coches, limpiando de pisos en caballerizas, lavando pisos de piscinas, dengrasando de motores.

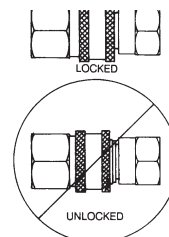
5. La boquilla de 65° (Se incluido con doble lanza):

Esta boquilla es de detergente. El diseño extenso de atomizador dar solución alrededor áreas grandes. USAS: Aplicación, empanando, o enjuagando de detergente.

BOQUILLAS



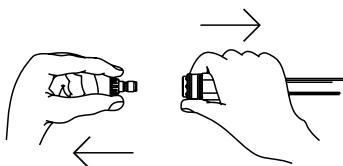
CERRADUAR DE BOQUILLA



CONEXIÓN DE BOQUILLA:

1. Asegúrese de que gatillo de pistola está cerradura en posición de OFF.
2. Boquillas de conectores roscados se puede conectar o desconectar de assemblea de doble lanza por retractarse los anillos de cerradura en instalaciones de conector roscado. Cuando conectando la boquilla deseable, empuje el anillo de cerradura por encima de conector roscado de boquilla para dar seguridad de conexión.

CONEXIÓN DE BOQUILLA



INSTALACIÓN Y PREPARACIÓN

SUMINISTRO DE AGUA:

SUMINISTRO PRESURIZADO:

1. Seleccione una manguera de suministro de agua de jardín de buena calidad que tenga por los menos 3/4" (19 mm) de diámetro interno y no sea mayor de 50 pies (15,25 m).
2. Asegúrese de que la malla de agua es limpiado y libre de obstrucciones. Si el flujo del agua se queda restringido a la bomba, vacilacion puede ocurrir. Este podría causar falla prematura de la bomba.
3. Si conectar uno del fin de mangurera de suministro de agua a entrada y conectar el otro fin a suministro presurizado de agua.

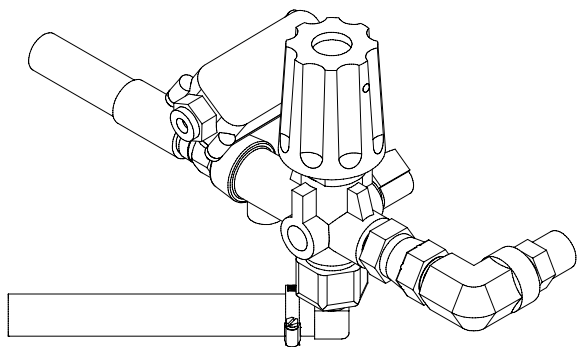
NOTA: Si existe un alto grado de contenido mineral en su agua, se recomienda usar un ablandador de agua para prevenir la posibilidad de una acumulación excesiva de incrustaciones dentro del serpentín del intercambiador de calor.

4. Use la necesidades de aga entrada como tener abajo:
 - a. Presión del agua necesitar estar entre de un mínimo de 40 PSI y máxima de 65 PSI.
 - b. La entrada de GPM tiene que estar un galón más de cada minuto de la salida de GPM que indicado en plato de nombre de la maquina. (Puede controlar el GPM de su fuente como encendido de relleno de un envase de cinco galones.)
 - c. La temperatura del agua entrada no exceder de 125°F. Dano grande de bomba se resultado si la temperatura del agua excedor este nivel.
5. Nunca permita que la unidad opere sin que la línea de agua de entrada esté conectada y sin que el suministro de agua esté completamente abierto.

DESCARGA:

La descarag ha preprogramado en la fábrica.

PROCEDIMIENTOS DE INSPECCIÓN ANTES DEL ENCENDIDO:



Antes de encender la unidad, realice los siguientes procedimientos:

1. Revise el nivel de aceite de la bomba.
2. Revise la malla filtrante de la entrada de agua. Limpie o reemplace de ser necesario. Vea “Suministro de agua”.
3. Revise todas las conexiones de la manguera para asegurarse de que estén bien ajustadas. Vea “Suministro de agua”.
4. Inspeccione para asegurarse que no existan fugas de agua, aceite o combustible del sistema. Si encuentra una fuga de combustible, ¡NO ENCIENDA LA UNIDAD! Vea la sección de advertencias de “Riesgo de explosión o incendio”. Asegúrese que se hayan reemplazado todas las partes dañadas y se hayan corregido los problemas mecánicos, antes operar de nuevo la unidad. Si requiere servicio, llame a la oficina de Servicio a clientes.
5. Inspeccione las mangueras de alta presión para asegurarse que no tengan dobleces, rupturas o fugas. Si se encuentra una ruptura o fuga, ¡NO USE LA MANGUERA! Reemplace la manguera antes de encender la unidad. Vea “Riesgo de inyección”. Asegúrese que se hayan reemplazado todas las partes dañadas y se hayan corregido los problemas mecánicos, antes operar de nuevo la unidad. Si requiere servicio, llame a la oficina de Servicio a clientes.

AQUÍ TERMINAN LAS INSTRUCCIONES DE PREPARACIÓN



ADVERTENCIA



LAS SIGUIENTES PÁGINAS CONTIENEN INSTRUCCIONES SOBRE LA OPERACIÓN Y EL MANTENIMIENTO.


NO INTENTE OPERAR ESTA LAVADORA A PRESIÓN O TU REMOLQUE HASTA QUE HAYA LEÍDO Y COMPRENDIDO TODAS LAS PRECAUCIONES E INSTRUCCIONES DE SEGURIDAD SEÑALADAS EN ESTE MANUAL.

¡LA OPERACIÓN INCORRECTA DE ESTA UNIDAD PUEDE CAUSAR LESIONES GRAVES!

¡NO ALTERE NI MODIFIQUE ESTE EQUIPO DE NINGUNAMANERA!

INSTRUCCIONES DE OPERACIÓN

CUANDO ACCAREA EL REMOLQUE:

 **ADVERTENCIA: NUNCA PERMITA QUE UNA PERSONA VIAJE EN UN REMOLQUE QUE ESTÁ SIENDO REMOLCADO. TODOS LOS ESTADOS PROHIBEN PASAJEROS EN VEHÍCULOS SIENDO REMOLCADOS. ULGUNA PERSONA PUEDE CAER Y SER GOLPEADA POR OTRO VEHÍCULO O ATRPELLADA POR EL MISMO REMOLQUE. EL INCUMPLIMIENTO DE ESTA ADVERTENCIA PUEDE OCASIONAR LA MUERTE.**

PRECAUCIONES DE SEGURIDAD DURANTE EL USO

Carga del remolque. El remolque debe ser cargado de manera que el peso descendente de la lengüeta sea aproximadamente el 10% del peso bruto del remolque. Engánchelo sólo a los puntos de enganche recomendados por el fabricante del vehículo del remolque.

Distancia de seguimiento y de parada. La distancia de parada aumenta cuando se transporta un remolque. Una regla general para la distancia mínima que debe mantenerse entre usted y el automóvil precedente sobre pavimento seco es la longitud de un automóvil y un remolque (2 automóviles) por cada 10 MPH de viaje. La distancia debe aumentarse de acuerdo con las condiciones de la carretera y el clima. Evite las paradas bruscas si es posible. Maneje el vehículo remolcador con cuidado, sin giros, arranques o paradas bruscas. Cuando sea posible, evite manejar el vehículo remolcador cerca de zanjas, terraplenes y agujeros y reduzca la velocidad cuando atravesare terrenos irregulares o desnivelados.

Pasar. La aceleración y el pasar deben hacerse lentamente para permitir una distancia extra al pasar. Señale con mucha anticipación cuando vaya a pasar y vuelva al carril apropiado. Tenga en cuenta la longitud extra del remolque antes de cambiar de carril. Nunca cambie de carril de manera abrupta ya que esto puede causar que el remolque se balancee y empuje el vehículo remolcador a una posición "navaja".

Giros. Tenga en cuenta la longitud extra del remolque. Conduzca un poco más allá del punto de giro normal para evitar chocar con los cordones de la acera. El radio de giro aumenta con el uso del remolque. Reduzca la velocidad al girar, al cruzar pendientes y en superficies irregulares, resbaladizas o embarradas.

Grados de Ascenso y Descenso. Reduzca la velocidad y use un engranaje de transmisión más bajo para pendientes empinadas o largas en subida o en bajada. Mantenga una distancia segura con los demás vehículos.

Aparcamiento. Cuando el vehículo de remolque esté inactivo, aplique los frenos y estacione con seguridad.

- Evite estacionar cuesta arriba o cuesta abajo.
- Ponga la transmisión en "PARK" (parqueo).
- Ponga el freno de mano.
- Usar cuñas para las ruedas.
- En el estacionamiento, evite estacionar cerca de otros vehículos. El radio de giro es mayor y puede ser imposible salir de una plaza de aparcamiento después de que otros vehículos hayan aparcado alrededor de su vehículo.

ASIEMPRE APAGUE EL MOTOR DEL VEHÍCULO DE REMOLQUE ANTES DE HACER AJUSTES O REPARACIONES A UN REMOLQUE MONTADO.

DESPUES DE SU USO:

1. Inspeccione el remolque para determinar si está desgastado o dañado.
2. Asegúrese de que todos los tornillos y conexiones estén bien apretados.
3. Verifique que las señales de freno, traseras y de giro funcionen correctamente.
4. Compruebe que los cables estén bien conectados y que no estén deshilachados o desgastados.
5. Revise y mantenga apropiadamente el remolque, enganche, gato, bola y acoplador.
6. Inspeccione enganche y bola para ver si hay daños. La bola o el enganche pueden dañarse al estacionar, al golpear contra los cordones de la acera, al ser arrastrados al cruzar zanjas y/o vías de ferrocarril.
7. Revise y apriete correctamente todos los pernos del remolque, enganche, bola y acoplador (incluyendo las ruedas).
8. Compruebe que las cadenas de seguridad no estén desgastadas y no permita que estas se arrastren por el suelo o carretera.
9. Revise las llantas del vehículo remolcador para ver si están desgastadas y tienen la presión adecuada (revise el manual del propietario del vehículo para verificar el nivel de presión adecuado de las llantas para remolcar un remolque).
10. Revise las llantas del remolque para ver si están desgastadas y tienen la presión adecuada. Reemplace solamente con una llanta del mismo tamaño y capacidad.
11. Para mantenimiento apropiado del vehículo remolcador, mientras lo remolca, revise el manual del propietario del vehículo y las especificaciones del fabricante.

INSTRUCCIONES DE OPERACIÓN

FUNCIONANDO EL SISTEMA:

Esta unidad tiene un rollo de acero que después de colocarlo, causará que el resto del agua en el rollo de usos anteriores cambie a marrón o negro. Este agua tiene que funcionar del sistema antes de encender. Este procedimiento debe desempeñarse sin la instalación de manguera de presión alta, pistola y asamblea de lanza.

1. Encender el suministro del agua.
2. Encender el motor de unidad. Agua de presión baja empezará a fluir de la salida de agua. Esto permitirá a la unidad para funcionar partículas del sistema. La unidad está funcionando cuando el agua está clara.
3. Cuando el sistema está funcionando, desconectar el motor y conectar la manguera de presión alta a la salida de agua de la unidad.
4. Conecte el gatillo de pistola y la asamblea de doble lanza a la manguera de presión alta.
5. Instale boquilla deseable entre la asamblea de doble lanza.

⚠ ADVERTENCIA: PRECAUCIÓN RIESGO DE DAÑO A LA UNIDAD ASEGÚRESE QUE NO ESTÉN CONECTADAS LA MANGUERA, LA PISTOLA O LA BOQUILLA CUANDO SE ESTÉ CEBADO DE LA BOMBA. AL CEBADURA SE LIBERAN DEPÓSITOS MINERALES DEL SISTEMA, LOS CUALES PODRÍAN OBSTRUIR O DAÑAR LA PISTOLA Y LA BOQUILLA, REQUIRIENDO REPARACIONES

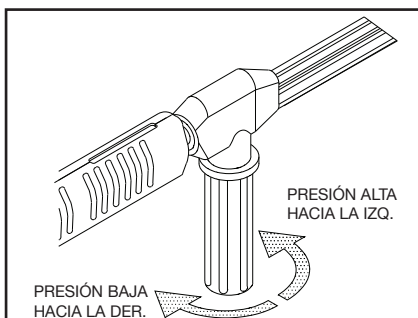
ARRANQUE/OPERACIÓN CON AGUA FRÍA:

1. Vea “Advertencias de seguridad” antes de encender la unidad.
2. Localice las calcomanías de seguridad en su unidad y ponga atención a esas advertencias.
3. Asegúrese de que el interruptor del quemador esté en posición de apagado.
4. Apunte la pistola de gatillo en dirección segura, quite el seguro y apriete el gatillo. Sostenga el gatillo abierto mientras arranca el motor, según las instrucciones del fabricante en el manual del motor que acompaña esta unidad. Apóyese firmemente en caso de que la pistola lo empuje cuando se encienda la bomba. Prepararse para la posibilidad de mordida de pistola cuando el motor empieza.

⚠ ADVERTENCIA: PRECAUCIÓN RIESGO DE DAÑO NO PERMITA QUE EL PATRÓN DE ROCÍO PERMANEZCA EN UNA ÁREA FIJA DURANTE UN PERIODO DE TIEMPO PROLONGADO. PUEDE CAUSAR DAÑOS

5. Una vez que ha arrancado el motor, asegúrese de que el obturador del motor esté ajustado a la velocidad normal de operación (RPM) y realice los siguientes procedimientos con la pistola activada:
 - a. Inspeccione el sistema en busca de fugas de agua, aceite y combustible. Si encuentra una fuga de combustible, ¡APAGUE LA UNIDAD INMEDIATAMENTE! Vea las advertencias de “Riesgo de explosión o fuego”, página 67. Asegúrese de que se hayan reemplazado todas las partes dañadas y se hayan corregido los problemas mecánicos, antes de operar de nuevo la unidad. Si requiere servicio, llame a la oficina de Servicio a clientes.
 - b. Inspeccione las mangueras de alta presión para asegurarse de que no tengan dobleces, rupturas o fugas. Si encuentra una ruptura o fuga, ¡NO TOQUE LA PARTE DE LA RUPTURA! ¡APAGUE LA UNIDAD INMEDIATAMENTE! Reemplace la manguera antes de encender la unidad. Vea las advertencias de “Riesgo de inyección” en la página 66. Asegúrese de que se hayan reemplazado todas las partes dañadas y se hayan corregido los problemas mecánicos, antes de operar de nuevo la unidad. Si requiere servicio, llame a la oficina de Servicio a clientes.
6. En esta etapa, la unidad está operando como lavadora a presión con agua fría. Ponga la pistola algunas veces y trata de ajustar la presión de alta. Girar la empuñadura ajustable en la lanza doble para aplicación de presión alta y bajo. ¡NUNCA coloque las manos o los dedos delante de la boquilla ni mire directamente hacia la boquilla.

EMPUÑADERA AJUSTABLE



INSTRUCCIONES DE OPERACIÓN

⚠ ADVERTENCIA: PELIGRO ¡RIESGO DE INYECCIÓN QUE PROVOCA LESIONES GRAVES! ¡MANTÉNGASE COMPLETAMENTE APARTADO DE LA BOQUILLA! ¡NUNCA COLOQUE LA MANO O LOS DEDOS DELANTE DE LA BOQUILLA! ¡NO DIRIJA EL CHORRO DE DESCARGA HACIA PERSONAS O MASCOTAS!

7. No permitir la operación de maquina en modo de bypass (con el gatillo de pistola cerrar) para más de tres minutos sin apretando el gatillo de pistola. Falla de hacer este mandato facil puede causar la falla de embalaje de bomba.

OPERACIÓN CON AGUA CALIENTE:

⚠ ADVERTENCIA: ¡RIESGO DE QUEMADURA! LA TEMPERATURA DEL AGUA PODRÍA SER MUY ELEVADA DURANTE LA OPERACIÓN CON AGUA CALIENTE. TENGA CUIDADO CUANDO AJUSTE LA PRESIÓN O CONTROLE EL CONJUNTO DE PISTOLA/GATILLO/VARILLA.

1. Siga los pasos señalados en la sección de "Arranque/operación con agua fría."
2. Mover interruptor de quemador a posición de "ON".
3. Revisar el sistema para agujeros de gasolina una otra vez. Si encontrar un agujero de gasolina ¡parar la maquina inmediatamente! Vea las advertencias como "Riesgo de explosión o fuego". Asegurese de que reemplazar de todas partes dañadas y todos problemas mecanicos están correctos antes de la operación de esta unidad.

Nota: Con la empieza primera, agua será calor en 20 segundos aproximadamente y alcanzará temperatura maxima dentro de 2-1/2 minutos si el gatillos de pistola estaba abierto. El quemador no disparará cuando el gatillo es despedido.

APAGADO:

1. Mueva el interruptor del quemador a la posición de OFF.
2. Apriete el gatillo y descargue agua por unos tres minutos para enfriar el intercambiador de calor y la manguera de alta presión (el enfriamiento insuficiente de la manguera de alta presión causará desgaste excesivo y rotura eventual de la manguera).
3. No cierra el choke para parar el motor. Petardear o daño puede ocurrir.
4. Mueve la llave del motor a posición de OFF.
5. Desconecte el suministro del agua y oprima el gatillo de la pistola momentáneamente para liberar la presión atrapada.

Desconecte y vacie la manguera de presión alta, la pistola y lanza. Limpie la unidad. Almacenaje en medio ambiente de no enfriar.

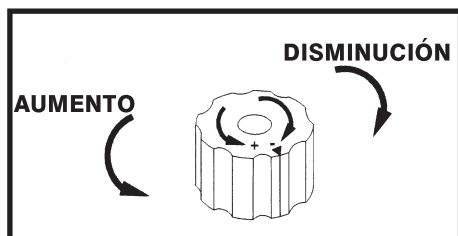
INSTRUCCIONES DE OPERACIÓN

LIMPIEZA CON DETERGENTES- PRESIÓN ALTA:

NOTA: Esta función está diseñada para ser usada únicamente con detergentes suaves. Dado que la solución de limpieza viaja a través de la bomba y el serpentín del intercambiador de calor, no use corrosivos ya que provocarán daño extenso y representan un peligro considerable.

1. Vea las advertencias de "Riesgo de lesiones". Asegúrese de usar vestimenta protectora como se indicó.
2. Prepare la solución de detergente de acuerdo a las instrucciones en la etiqueta. (Nunca bombear ácidos, alcalinos, fluidos abrasivos o solventes por la unidad. Es recomiendo que use solamente detergentes ligeros con desconocidos y muchas veces corrosivos de muchos detergentes poulares en la industria de limpiado de lavadores de presión.)

VÁLVULA DE CONTADOR DE DETERGENTE



3. Usando el conector rápido, conecte bien la boquilla de rociado de detergente (#6540° NEGRA) al extremo de la vara, con la pistola a gatillo asegurado en la posición "OFF".

NOTA: Este sistema de inyección está diseñado para aplicar detergentes a baja presión solamente. No permitirá que se introduzcan soluciones de detergente en el sistema a menos que la boquilla del detergente esté instalada en la vara.

4. Sumerja completamente el extremo de la malla filtrante de la manguera de vinilo transparente en la solución de detergente.
5. Para aplicar la solución, quite el seguro de la pistola active el gatillo. En unos cuantos momentos, una mezcla de detergente y agua saldrá por la boquilla. Comience a rociar la porción inferior de la superficie que va a lavar y siga en dirección ascendente, en pasadas largas, superpuestas. Aplicando de la parte inferior hacia arriba se evitan manchas de escurrimientos. Permita que se remoje brevemente. Trate de no trabajar en superficies calientes o expuestas a la luz directa del sol, para reducir las probabilidades de que el detergente se seque, lo cual podría causar daños a la superficie. Asegúrese de aplicar la solución de limpieza a una pequeña sección a la vez.
6. Para enjuagar: fije la pistola de gatillo en la posición de APAGADO. Cambiar la válvula de contador de detergente a posición de OFF. Quite el seguro de la pistola y rocíe. Tomará aproximadamente 30 segundos para purgar todo el detergente de la línea. Para lograr los mejores resultados de enjuague, comience en la parte superior y avance en forma descendente.
7. Haga pasar por acción de sifón un galón de agua a través del sistema de inyección de detergente del sistema después de cada uso. Esto evita la posibilidad de corrosión o acumulación de residuos de detergente, lo cual provocaría problemas mecánicos durante el siguiente uso.

ALMACENAJE Y MANTENIMIENTO

MANTENIMIENTO ESPECIFICO:

COMPONENTES DE EMISIÓN EVAPORADO:

La unidad que compró incluir los componentes siguientes que son de acuerdo con los Estandares de Emisión Evaporado de todo California Air Resources Board de Estandares de Emisión:

1. Manguera de combustible
2. Instalaciones de Manguera de combustible

Estos componenetes deben tener inspección en un base diario para grietas, agujeros y uso abnormal. Si ocurrió las grietas, agujeros o uso abnormal, reemplace los componentes inmediatamente.

MOTOR: En el instructivo del motor que viene con su unidad se detallan los procedimientos específicos para dar mantenimiento al motor. Si sigue las recomendaciones del fabricante prolongará la duración de su motor.

BOMBA: Cambie el aceite de la bomba después de 50 horas de operación. Después del cambio inicial, el fabricante recomienda cambiar el aceite cada 3 meses o a intervalos de 250 horas. Si el aceite tiene aspecto sucio o lechoso, quizá sea necesario hacer cambios más frecuentemente. Use aceite especial para bombas SAE20 o 30 non detergente y solo llene hasta el centro de la mirilla de nivel. **NO LLENE DEMASIADO.**

BOQUILLA: El flujo de agua a través de la boquilla de rocío causará erosión del orificio, ensanchándolo y provocando una pérdida de presión. Deben reemplazarse las boquillas siempre que la presión llegue al 85% del máximo. La frecuencia del reemplazo depende de variables tales como el contenido mineral en el agua y la cantidad de horas que se use la boquilla.

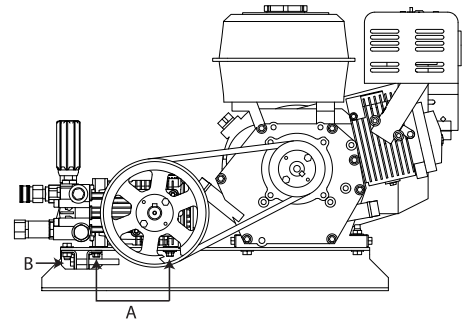
MANTENIMIENTO-CADA 3 MESES:

CAMBIAR ACEITE DE BOMBA DEL AGUA: Asegúrese de unidad está en posición de OFF. Cambiar aceite de bomba despues de la cincuenta horas primeras de operación. Despues de cambio primero, cada y todo 3 meses o intervalos de 500 horas es recomendado. Si aceite está sucio o lechoso, cambios puede necesitar en más frecuencia. Use SAE20 o 30 aceite sin-detergente de bomba y llenar a medio de vidrio de ver de aceite. No llenar algo hast el borde.

REEMPLAZAR BOQUILLA DE PRESIYN ALTA: Flujo de agua por boquilla de atomizar erosionará el orifico, este hará más grande y resultará en pérdida de presión. Debe reemplazar las boquillas cuandoquiera presión es menos de 85% de la maxima. La frecuencia de reemplazar es dependente de algunas variables como contenido de mineral en el agua y el numero de usar de la boquilla.

INSPECCIÓN DE CORREA Para mantener la máxima eficiencia de su lavadora de alta presión, puede ser necesario ajustar la tensión de las correas ocasionalmente. Siga el procedimiento que se describe a continuación.

1. Quite el protector de correas y afloje las cuatro pernos que de la bomba **AJUSTE DE TENSION DE CORREAS** (Referencia A).
2. Gire el tornillo (Referencia B) en el sentido de las manecillas del reloj hasta observar que la correa se flexiona una 1/2 pulgada (1,3 cm) entre las poleas.
3. Apriete las pernos (Referencia A).
4. Ponga una regla tocando el costado de ambas poleas. Si es necesario, afloje los tornillos de una polea y muévela hacia adentro o hacia afuera para que quede correctamente alineada. Apriete los tornillos de la polia y verifique otra vez la tensión.
5. Vuelva a poner la protección y apriete los sujetadores firmemente.



AJUSTADO DE AIRE DE QUEMADOR: La contra- ventana ha preprogramado en la fabrica para operación apropiado entre nivel del mar y elevación de 2000 pies en condiciones normales (temperaturas del aire y agua de 60° F). En temperaturas más frio o altitudes más arribas, puede necesitar para ajustar el suministro del aire a la cámara de combustión. Este ajustado maximizará la eficiencia de quemador y evitar operación sin eficiencia o cnatidad exceso de hollín de rollo de intercambio de calor. Durante algo ajustado de contraventana del aire y bada es recomendado para hacer un examen de humo. Si no tiene el equipo para hacer un examen de humo, siga los procedimientos abajo.

1. La maquina necesita estar funcionando quemador en posición de "ON".
2. Suelte atornillo de cerradura (#3 en la izquierda en la contraventana.
3. Revisar para humo del exhosto de interambio de calor. Si no hay humo, cerrar la contraventana del aire muy

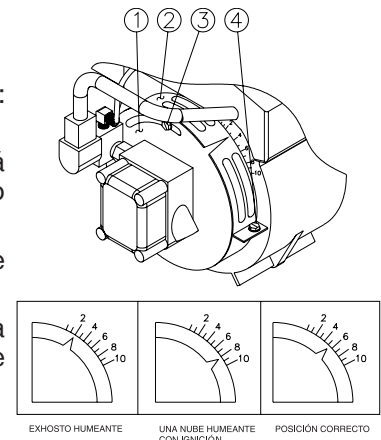
ALMACENAJE Y MANTENIMIENTO

espacio (#1 en la izquierda) como moviendo el disco en sentido contrario a las agujas del reloj a número más bajo. Siga mover el disco hasta hay humo.

4. Anotar esta posición.
5. Abra la contraventana del aire (#1 en izquierda) de dos incrementos. Por ejemplo: Si contraventana del aire fue en 2, la mueva a 4.
6. Mover muy despacio el gatillo de pistola a posición "ON" y "OFF". Este hará quemador estar en posición ON y OFF. Vea para una nube de humo cuando hay ignición de quemador.
7. Repetir números 5 y 6 hasta hay una nube de humo. Anotar posición de contraventana del aire.
8. La diferencia entre las posiciones de anotar en números 4 y 7 es la ventana de combustión. Ponga el disco en posición de medio manera entre de estas posiciones.

NOTA: Puede necesitar más o menos aire para tener una ventañita de combustión correctos: no puede detectar un posición en pedaleo número 3 o 7. Suelte el tornillo (#4 a la izquierda) abra la Banda de Aire (#2 a la izquierda) en incrementos de 1/4". Repite posiciones 3-8 hasta combustión correcto ha logrado.

AJUSTADO DE AIRE DE QUEMADOR



EXAMINE AGUA Y PRESIÓN DE COMBUSTIBLE: Estos procedimientos debe hacer de un técnico de servicio que tiene autoridad.

EXAMINE AGUA Y TEMPERATURA: Estos procedimientos debe hacer de un técnico de servicio que tiene autoridad.

MANTENIMIENTO – CADA 6 MESES

REEMPLACE FILTRO DE COMBUSTIBLE – Siga las instrucciones se dan en filtro de combustible para procedimiento correcto.

MANTENIMIENTO – CADA 12 MESES

LIMPIAR EL ROLLO DE CAL – Una pérdida de presión puede significar que el rollo necesita limpiar de cal. Haga este procedimiento en base periódico.

1. Mezcla polvo/solución de limpiado de cal en según a direcciones en paquete.
2. Quite la boquilla del bastón. Ponga una media de nylon encima de la asamblea del bastón para coleccionar desechos, y entonces ponga la asamblea del bastón en tanque de flotar.
3. Asegúrese de que el gatillo de pistola está abierto y empezar el motor para permitir la circulación del agua por el sistema. Permitir este proceso seguir por 2-4 horas (consulte direcciones de paquete de agente de limpiar el cal para tiempo exacto).
4. Cuando todo se completó, ponga el motor en posición de "OFF". Desague y limpie el tanque de flotar, quite media de nylon, y limpie la pistola y asamblea del bastón.
5. Limpie todo del sistema con agua limpiado y fresco y ponga la boquilla en asamblea del bastón.
6. Quite solución de limpiado de cal en según a regulaciones de local, estado y federal.

EXAMINE EL VOLTAJE Y DECORRIDO DE AMPERIO: Use un metro del voltaje y amperio para examinar la maquina para voltaje y amperaje correcto. Este procedimiento debe hacer de un técnico servicio con autoridad si no tiene estos instrumentos o no ser asegúrese como hacer estos examenes.

INSPECCIONE FILTRO INTERIOR DE BOMBA DE QUEMADOR DE COMESTIBLE: Este procedimiento debe hacer de un técnico de servicio con autoridad.

REVISE ELECTRODOS DE QUEMADOR: Este procedimiento debe hacer de un técnico de servicio con autoridad.

REEMPLACE BOQUILLA DE COMESTIBLE: Este procedimiento debe hacer de un técnico de servicio con autoridad.
MANTENIMIENTO - ESTACIONAL:

NOTA: La preparación apropiada para el invierno está basada en las instrucciones recomendadas del fabricante incluidas en la "Tabla de Protección" mostrada en el rótulo posterior de la mayoría de los recipientes de anti-congelantes.

PREPARACIÓN PARA EL INVIERNO: Será necesario preparar esta unidad para el invierno, para fines de Almacene-

ALMACENAJE Y MANTENIMIENTO

namiento y transporte en temperaturas ambiente inferiores al punto de congelación. Esta unidad debe protegerse contra la temperatura más baja incurrida por las siguientes razones:

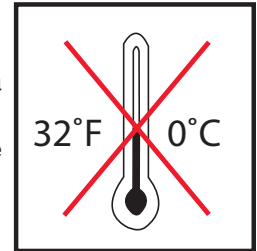
⚠️ ADVERTENCIA: ¡RIESGO QUE LA UNIDAD REVIENTE! ¡NO ALMACENE/OPERE LA UNIDAD EN UN AMBIENTE HELADO!

1. Si se congela cualquier parte del sistema de bombeo puede acumularse una presión excesiva en la unidad, lo que podría causar que la misma reviente resultando en lesiones posibles graves al operador o a los observadores.
2. El sistema de bombeo de esta unidad puede resultar dañado permanentemente si se congela. **LOS DAÑOS POR CONGELACION NO ESTAN CUBIERTOS POR LA GARANTIA.**

Usted puede proteger su unidad siguiendo el procedimiento indicado abajo, si debe almacenarla en un lugar donde la temperatura puede descender por debajo de los 32°F.

VOLARLE DEL AIRE:

1. Quite la boquilla de asamblea del bastón. Aprete el gatillo hasta nada agua sale la asamblea del bastón.
2. Conecte instalación del aire de una manguera del aire a instalación de mallas en tanque de flotar o eslabón giratorio de la entrada.
3. Funcione aire comprimado entre el sistema para evitar todo agua del sistema.



SOLUCIÓN DEL ANTICONGELANTE:

1. Reúne los artículos siguientes:
 - a. Dos recipientes de 5 galones.
 - b. Un galón de anticongelante. (Mi-T-M® recomienda un anticongelante seguro para el medio ambiente.)
 - c. Suministro de agua.
 - d. Una manguera de tres pies de largo con un D.I. de 1/2-3/4 y con un adaptador macho de manguera de jardín de 3/4 de pulgada.
2. Procedimiento:
 - a. Para comenzar a preparar su unidad para el invierno, la misma debe hacerse funcionar y cebarse de acuerdo con los "Procedimientos de Arranque" indicados.
 - b. Apague la unidad y corte el suministro de agua, después de hacerla funcionar y cebarla.
 - c. Elimine la presión del sistema apuntando la pistola a gatillo hacia una dirección segura y accionando el gatillo hasta que el flujo de agua cese de salir por la boquilla.
 - d. Asegure la pistola a gatillo en la posición OFF y retire la boquilla.
 - e. En un recipiente de cinco galones, mezcla el anticon-gelante y agua según las recomendaciones del fabricante para la temperatura loque esta preparando para el invierno.

NOTA: La preparación apropiada para el invierno está basada en las instrucciones recomendadas del fabricante incluidas en la "Tabla de Protección" mostrada en el rótulo posterior de la mayoría de los recipientes de anti-congelantes.

- f. Retire la manguera de suministro de agua de la unidad y fije seguramente la manguera de 3 pies a la conexión de entrada. Sumerja el otro extremo de la manguera del anticongelantes.
- g. Apunte la vara hacia el recipiente vacío y arranque la unidad.
- h. Accione el gatillo de la pistola hasta que el anticongelante comience a salir por la vara. Suelte el gatillo por 3 segundos, a continuación accione el gatillo de la pistola por 3 segundos. Continúe ciclando la pistola varias veces hasta que toda la mezcla anticongelante es extraída del recipiente por la acción de sifón.
- i. Apaque la unidad.
- j. Separe la manguera de 3 pies de la unidad y drene todo el exceso restante de anticongelante dentro del recipiente de 5 galones.
- k. Desconecte el conjunto de manguera/pistola/vara de la unidad y drene todo el exceso restante de anticongelante dentro del recipiente de 5 galones.
- l. Almacene la manguera, la pistola y vara junto con la unidad, en un lugar seguro.
- m. Almecene la solución anticongelante para un uso ulterior o descártela de acuerdo con las leyes de protección del medio ambiente correspondientes.

LOCALIZACION DE FALLAS

SINTOMA	CAUSA PROBABLE	SOLUCION
El motor no arranca.	Problemas con el motor.	Vea el manual del motor que viene con su unidad.
	Los componentes de la unidad están congelados.	Permita que se descongele. Si alguna parte de la unidad se congela, es posible que se acumule la presión, lo cual podría ocasionar que la unidad reviente y consecuentemente provoque lesiones graves al operador o las personas que se encuentren alrededor.
No hay descarga de la boquilla cuando se acciona el mecanismo del gatillo.	Suministro inadecuado de agua.	Asegúrese que la manguera tenga 3/4" de diámetro y que el suministro de agua entrante esté abierto.
Presión baja o fluctuante	Doblez en la manguera de entrada de agua.	Elimine el doblez
	Está obstruido el tamiz de la entrada de agua.	Saque el tamiz, limpie o reemplace.
	La bomba absorbe aire (Eliminado el cebado)	Ajuste todas las conexiones de entrada de agua. Elimine dobleces en la tubería de entrada.
	No está en modo de presión alta.	Introduce boquilla de presión alta.
	La boquilla de rociado está obstruida o gastada.	Mueva la empuñadura ajustable en lanza doble en sentido contrario a las agujas del reloj a presión alta.
	El conjunto de la válvula en la bomba está dañado o obstruido.	Saque, limpie o reemplace.
	Los empaques de la bomba están gastados.	Saque, inspeccione, limpie o reemplace. Reemplace los empaques.
La válvula de derivación no opera correctamente.	Repare o reemplace.	
El aceite de la bomba parece lechoso o espumoso.	Agua en el aceite	Cambie la bomba de aceite. Llène al nivel apropiado.
Pérdida de aceite de la unidad	Juntas o juntas tóricas desgastadas.	Llame al Departamento de Servicio.
Agua está saliendo en válvula de seguridad.	Mal funcionamiento de descargado.	Detecte y corregir problema con descargado.
	Mal funcionamiento del interruptor de presión.	Detecte y corregir problema del interruptor de presión.
	Válvula de seguridad es defectivo.	Reemplace válvula de seguridad. NUNCA funciona unidad sin válvula de seguridad. Este puede causar un explosión!

LOCALIZACION DE FALLAS

SINTOMA	CAUSA PROBABLE	SOLUCION
Cuando la pistola de gatillo está asegurado en la posición "OFF", el agua fluye desde la boquilla.	La pistola funciona mal.	Repáre o reemplace.
Motor de calefactor no funcionará. (quemador no inflamará sin funcionando de calefactor)	Mal funcionamiento de quemador/cal-efactor del motor.	Repáre o reemplace.
Calefactor funciona, pero quemador no inflamará.	Gatillo está cerrado.	Abre el gatillo para presión.
	No hay combustible.	Más combustible.
	Varilla de presión está fatigando.	Presión debe estar más a 375 PSI a permitir quemadura encender.
	No hay voltaje	Llame al Departamento de Servicio.
	Insuficiente o Inadecuado suministro de combustible.	Revise combustible para asegurarse correcto. Si es necesario desague el tanque y filtro y rellenar con combustible apropiado.
	Bomba combustible esta absorbandos el aire.	Apriete todas las conexiones de entrada de combustible. Elimine las fugas en la línea de entrada.
Calefactor funciona pero quemador no inflamará.	Filtro de combustible o separador de agua de combustible es sucio o obstruir.	Desague o reemplace como necesario
	Insuficiente presión de bomba de combustible	Revise presión de bomba de combustible, ajuste or reemplace como necesario..
	No funcionamiento de bomba de combustible	Revise presión, reemplace si necesario.
	Pareado flexible rompió.	Reemplace
	Falla de válvula de solenoide del combustible.	Reemplace
	Boquilla de combustible es sucio o obstruir.	Reemplace boquilla de combustible.
	Ajustado de quemador del aire incorrecto.	Ajuste como ver en página 78.
	Módulo de ignición defectuosa.	Repáre o reemplace. Consulte su departamento de servicio.
	Ignition electrodes damaged or worn.	Adjust or replace electrodes. Consult your Customer Service.

LOCALIZACION DE FALLAS

SINTOMA	CAUSA PROBABLE	SOLUCION
Calefactor funciona, quemador inflama pero no calentará.	Insuficiente o inadecuado suministro de combustible.	Revise combustible para asegurarse correcto. Si es necesario desague el tanque y filtro y rellene con combustible apropiado.
	Separador de agua de combustible y filtro de combustible es sucio o obstruir.	Desague o reemplace como necesario.
	Insuficiente presión de bomba de combustible	Revise presión de bomba de combustible, ajuste o reemplace si necesario.
	Boquilla de combustible es sucio o obstruir	Reemplace la boquilla de combustible
	Ajustado de quemador del aire incorrecto.	Ajuste.
	Acumulación de sarro en rollo de intercambio de calor.	Consulte departamento de servicio.
Quemador funciona irregularmente.	Agua está en aceite de combustible.	Reemplace filtro de combustible o desague separador de agua de combustible, desague tanque de combustible y reemplace con combustible limpiado.
	Filtro de combustible o separador de agua de combustible es sucio.	Reemplace el elemento.
	Boquilla de combustible es sucio.	Reemplace
	Posición de ajustado del aire es incorrecto.	Ajuste
	Mal funcionamiento de bomba de combustible.	Reemplace
	Insuficiente combustible.	Rellene. Si fumo blanco siga, consulte departamento de servicio.
Quemador despide fumo blanco.	Demasiado suministro del aire.	Ajuste
Quemador despide fumo negro.	Insuficiente suministro del aire.	Ajuste

TABLA DE MANTENIMIENTO DEL REMOLQUE

Presión de los neumáticos	Inflar a la presión adecuada indicada en la pared lateral.	En Cada Viaje
Arandelas, pernos y tuercas de las ruedas	Apriete a las especificaciones de torsión adecuadas.	Cada 3000 millas o 3 meses.*
Rueda	Compruebe que no hayan daños o defectos de circularidad.	Cada 6000 millas o 6 meses.
Acoplador de bola	Compruebe que tenga suficiente aceite.	En Cada Viaje
	Verifique el mecanismo de bloqueo.	
	Compruebe que no haya desgaste inusual.	
Cadenas de seguridad en la Bola de Enganche	Verifique la abrasión, distorsión e integridad general de los enlaces.	En Cada Viaje
Acoplador	Verifique que el perno de enganche este apropiadamente apretado, bien posicionado y seguro.	En Cada Viaje
Distribución de Carga	Verifique la distribución de la carga y seguridad.	En Cada Viaje
Soldaduras	Verifique que todas las soldaduras no tengan grietas o separaciones.	Cada 6000 millas o 6 meses.
Electricidad: Luces y Señales	Verifique que estén funcionando apropiadamente. Sustituya las bombillas quemadas.	En Cada Viaje
Buje, Rodamiento y Sello de Eje	Verifique que los bujes no estén gastados, estén lo suficientemente engrasados, que el rodamiento tenga buen movimiento y que los sellos no tengan grietas.	Cada 3000 millas o 3 meses.
<p><i>*Revise que las tuercas estén bien apretadas antes del viaje inicial, nuevamente a las 25 millas y otra vez en 100 millas. Vuelva a revisarlas al menos cada 3 meses o 3000 millas.</i></p>		

TABLA DE MANTENIMIENTO

PROCEDIMIENTO	DIARIAMENTE	3 MESES	6 MESES	9 MESES	12 MESES
Examine del nivel de aceite del motor	X				
Comabie del aceite del motor*****		X	X	X	X
Examine nivel del petroleo bomba	X				
Combie petroleo de bomba**		X	X	X	X
Examine filtración de petroleo	X				
Examine filtración de combustible	X				
Examine filtración del agua	X				
Examine la manguera		X			
Examine la pantalla de entrada de agua	X				
Examine filtro combustible		X	X	X	X
Reemplace filtro combustible			X	X	X
Examine de correas		X	X	X	X
Reemplace las boquilla de presión alta***		X	X	X	X
Reemplace filtro de bomba combustible*					X
Reponga tobera combustible*					X
Examine aire quemadura regulable					X
Examine quemadura electrodos*		X	X	X	X
Pruebe la presión del agua*					X
Pruebe la presión de combustible*		X	X	X	X
Pruebe temperatura del agua*		X	X	X	X
Quite escama del rolo****		X	X	X	X

* Debe realizar esto un técnico de servicio autorizado.

** Ud. tiene que cambiar combustible de bomba después de las primeras cincuenta (50) horas. De la operación y cada (250) horas o 3 meses, cualquiera.

*** Las boquillas de alta presión deben reemplazarse siempre que la presión sea inferior al 85%.

**** Hay una diferencia con la acumulación de escama con minerales en el agua y la cantidad de usos. Tienen que quitar escama cada mes o cada año.

***** El aceite del motor debe cambiarse después de las primeras 8 horas de operación y cada 50 horas o 3 meses, lo que ocurra primero.

DECLARACIÓN DE GARANTÍA DE LA SERIE HDC

Fabricante garantiza todas las piezas (excepto las piezas a las cuales se hace referencia más abajo) de su nueva lavadora a presión SERIE HDC contra defectos en sus materiales o su manufactura durante los períodos siguientes:

Para vida:

Colector de bomba

Por diez (10) años a partir de la fecha original de compra:

La bomba de alta presión (Bomba General sólo)

Por siete (7) años a partir de la fecha de compra:

La bomba de presión alta (Bomba AR sólo)

Por cinc (5) años a partir de la fecha de compra:

Pollo de intercambiador de calor

Por dos (2) años a partir de la fecha de compra:

Estructura Quemador

Protecciones Polea

Tubería

Por seis (6) meses a partir de la fecha de compra:

Motor de quemador Transformador de ignición

Por noventa (90) días a partir de la fecha de compra:

Interruptores de control Interruptores de seguridad

Válvula de descargar Bomba de combustible

Capacitor

Por treinta (30) días a partir de la fecha de compra:

Mangueras de alta presión Gatillo de pistola

Mallas / Filtros

Durante el período de garantía, se repararán o reemplazarán a discreción de fabricante las piezas defectuosas que no estén sujetas a un desgaste normal. El reembolso en cualquier caso se limitará al precio de compra.

EXCLUSIONES

1. El motor está cubierto bajo una garantía por separado que su respectivo fabricante ofrece y queda sujeto a los términos establecidos en dicha garantía.

2. Piezas sujetas a desgaste normal:

Empaques de la bomba

Boquillas atomizadoras

Válvulas de la bomba

Conectores roscados

Válvulas de detergente

Filtros de combustible

Argolla

Correas

3. Esta garantía no cubre piezas dañadas a causa de desgaste normal, aplicación incorrecta, uso incorrecto, o operación a velocidades, presiones o temperaturas diferentes a las recomendadas. Tampoco se garantizan las piezas dañadas o desgastadas debido al uso de líquidos cáusticos o a la operación en ambientes abrasivos o corrosivos, o bajo condiciones que causen cavitación de la bomba. También se anula la garantía si no se siguen los procedimientos recomendados de operación y mantenimiento.

4. El uso de piezas que no sean genuinas anulará la garantía. Las piezas enviadas con porte prepago a la fábrica de fabricante o a un centro de servicio autorizado serán inspeccionadas y reemplazadas sin cargo alguno si se encuentran defectuosas y están cubiertas por la garantía. No hay otras garantías que se extiendan más allá de la descripción presentada aquí. Fabricante no será responsable bajo ninguna circunstancia por pérdida de uso del aparato, pérdida de tiempo o renta, inconveniencia, pérdida comercial o daños consecuentes.

DECLARACIÓN Y TÉRMINOS DE GARANTÍA DEL SISTEMA DE CONTROL DE EMISIONES DE ESCAPE Y EVAPORACIÓN FEDERAL Y DEL ESTADO DE CALIFORNIA

DERECHOS Y OBLIGACIONES DE SU GARANTÍA

La Junta de Recursos de Aire de California, y la Corporación el fabricante se complacen en explicar la garantía del sistema de control de emisiones ("emisiones") de su motor/equipamiento pequeño para uso fuera de carreteras 2018/2019. En California, los nuevos equipamientos que utilizan motores pequeños para uso fuera de carreteras deben ser diseñados, construidos, y equipados para cumplir con las estrictas normas estándares anti smog del estado. El fabricante debe garantizar el sistema de control de emisiones (EECS) en su motor/equipamiento pequeño para uso fuera de carreteras durante el periodo listado a continuación, siempre que no haya habido ningún abuso, negligencia o mantenimiento inadecuado de su motor/equipamiento pequeño para uso fuera de carreteras que conlleve al mal funcionamiento del sistema de control de emisiones.

Su sistema de control de emisiones puede incluir partes/piezas como el carburador, tanques de combustible, líneas de combustible (para combustibles líquidos y de vapor), tapas de tanque de combustible, válvulas, depósitos, filtros, abrazaderas y otros componentes asociados.

Cuando exista una condición amparable en la garantía, El fabricante reparara su motor/equipamiento pequeño sin costo alguno para usted, incluyendo diagnósticos, partes y manos de obra.

COBERTURA DE GARANTIA DEL FABRICANTE:

El sistema de control de emisiones de evaporación y escape en su motor/equipamiento pequeño para uso fuera de carreras está garantizado por dos años. Si alguna parte/pieza en su motor/equipamiento pequeño para uso fuera de carreteras es defectuoso, esta parte/pieza será reparada y reemplazada por El fabricante.

RESPONSABILIDADES DE GARANTÍA DEL PROPIETARIO:

Como propietario del motor/equipamiento pequeño para uso fuera de carreteras, usted es responsable del rendimiento y mantenimiento necesario listado en su manual del propietario. El fabricante recomienda que conserve todos los recibos que cubran el mantenimiento de su motor/equipamiento pequeño para uso fuera de carreteras, pero El fabricante no puede negar cobertura de la garantía únicamente por la carencia de recibos.

Como propietario del motor/equipamiento pequeño para uso fuera de carreteras, usted debe ser consciente de que El fabricante puede negar cobertura de garantía si su motor/equipamiento pequeño para uso fuera de carreteras o alguna parte ha fallado debido a abuso, negligencia, mantenimiento indebido o modificaciones no autorizadas.

Usted es responsable de presentar su motor/equipamiento pequeño para uso fuera de carreteras en un centro de distribución o servicio de El fabricante autorizado por la Corporación Mi-T-M, 50 Mi-T-M Drive, Peosta, IA, 52068 (dado Mi-T-M) tan pronto como surja un problema. Las reparaciones de garantía deben ser completadas en un período razonable de tiempo, que no debe exceder los 30 días.

Si tiene preguntas acerca de los derechos y responsabilidades de esta garantía, tenga a bien comunicarse con El fabricante, Departamento de Servicios, al 1-800-553-9053 o en la dirección electrónica corp@mitm.com.

GARANTIA DE COBERTURA GENERAL DE EMISIONES - SOLO PARA CALIFORNIA -

El fabricante le garantiza al comprador original y cada comprador subsecuente que su motor/equipamiento pequeño para uso fuera de carreteras (1) ha sido diseñado, construido y equipado como para conformar con todas las regulaciones aplicables; y (2) que se encuentra libre de defectos de materiales y construcción que causen fallas a alguna de las partes garantizadas que conforman con dichas regulaciones, así como pueden ser aplicables a los términos y condiciones fijados abajo.

- (a) El periodo de garantía comienza en la fecha en la que el motor/equipamiento pequeño para uso fuera de carreteras es entregado a su comprador original o puesto primeramente en servicio. El periodo de garantía es de dos años.
- (b) Sujeto a ciertas condiciones y exclusiones como se indica a continuación, la garantía de las partes relacionadas con las emisiones es la siguiente:
 - (1) Cualquier parte/pieza garantizada que no esté programada para recambio como mantenimiento requerido en las instrucciones escritas deben ser garantizadas por el periodo de garantía indicado anteriormente. Si la parte es defectuosa o falla durante el periodo de cobertura de la garantía, la parte será reparada o reemplazada por El fabricante de acuerdo con la Subsección (4) que se describe debajo. Cualquier parte reparada o reemplazada bajo esta garantía debe ser garantizada por el periodo restante de dicha garantía.
 - (2) Cualquier parte garantizada que se encuentre programada solo por revisiones periódicas en las instrucciones escritas deben estar garantizadas en el periodo de garantía descrito arriba. Cualquier parte reparada o reemplazada en acordancia con la garantía debe ser garantizada por el periodo remanente de dicha garantía.
 - (3) Cualquier parte garantizada que se encuentre programada para reemplazo así sea requerida en las instrucciones escritas de mantenimiento debe ser garantizada por el periodo de tiempo anterior al primer punto de reemplazamiento programado para esa parte/pieza. Si la parte/pieza falla con anterioridad al primer reemplazamiento programado, la parte debe ser reparada o reemplazada por El fabricante de acuerdo a la Subsección (4) que se describe debajo. Cualquier parte reemplazada o reparada en acordancia con la garantía debe ser garantizada por el periodo remanente a la primer fecha de reemplazamiento programada para dicha parte.
 - (4) El reparo o reemplazamiento de cualquier parte garantizada cubierta por las obligaciones de esta garantía debe ser realizada por un distribuidor autorizado o estación de servicio de garantía y de manera gratuita para el propietario.
 - (5) A pesar de las disposiciones de la Subsección (4) descritas arriba, los servicios de garantía o reparaciones deben ser provistos en un centro de distribución que posee la franquicia para revisar el motor/equipamiento.
 - (6) Al propietario no se le debe cobrar mano de obra del diagnóstico que conlleve a determinar que parte garantizada es de hecho defectiva, proveyendo que el trabajo de diagnóstico sea ejecutado en una estación de garantías.
 - (7) A lo largo del periodo de garantía del sistema de control de emisiones, El fabricante debe mantener un suministro suficiente de partes garantizadas para satisfacer la demanda esperada de dichas partes.

- (8) Cualquiera de las partes/piezas de repuesto que no aumenten las emisiones de evaporación o escape del motor o el sistema de control de emisiones, deben usarse en la ejecución de cualquier garantía de mantenimiento o reparación y deben proporcionarse sin cargo para el propietario. Dicho uso no reducirá las obligaciones de garantía de El fabricante.
- (9) No se deben utilizar partes/piezas adicionales o modificadas que no estén exentas por la Junta de Recursos de Aire. El uso de cualquier parte/pieza adicional o modificada no exenta será motivo para rechazar un reclamo de garantía. El fabricante no será responsable de garantizar fallas de piezas garantizadas causadas por el uso de una pieza adicional o modificada no exenta.
- (10) El fabricante, deberá proporcionar todos los documentos descritos en procedimientos o políticas de la garantía dentro de los cinco días hábiles posteriores a la solicitud hecha por un Oficial Ejecutivo.

(c) PARTES GARANTIZADAS:

La reparación o el reemplazo de cualquier pieza garantizada que de otra manera sea elegible para la cobertura de la garantía puede ser excluida de dicha cobertura de la garantía si El fabricante demuestra que esta ha sido abusada, descuidada o mantenida incorrectamente, y que dicho abuso, negligencia o mantenimiento inadecuado fue la causa directa de la necesidad de reparación o reemplazo de dicha pieza. No obstante, cualquier ajuste de algún componente que tenga un dispositivo de limitación de ajuste instalado de fábrica y que funcione correctamente sigue siendo elegible para la cobertura de la garantía. La garantía cubre la siguiente lista de piezas de emisiones.

- (1) Tanque de Combustible
- (2) Tapa de Tanque de Combustible
- (3) Líneas de Combustible (para combustible líquido y vapores de combustible)
- (4) Accesorios de Líneas de Combustible
- (5) Abrazaderas*
- (6) Válvulas Limitadoras de Presión*
- (7) Válvulas de Control*
- (8) Control de Solenoides*
- (9) Controles Electrónicos*
- (10) Diafragmas de Control de Vacío*
- (11) Cables de Control*
- (12) Enlaces de Control*
- (13) Válvula de Purga*
- (14) Juntas*
- (15) Separador de Líquido/Vapor
- (16) Depósito De Carbón
- (17) Depósito de Soporte de Montaje
- (18) Conector de Puerto de Purga del Carburador

*Nota: Al estar estos relacionados con el sistema de control de emisiones por evaporación.

