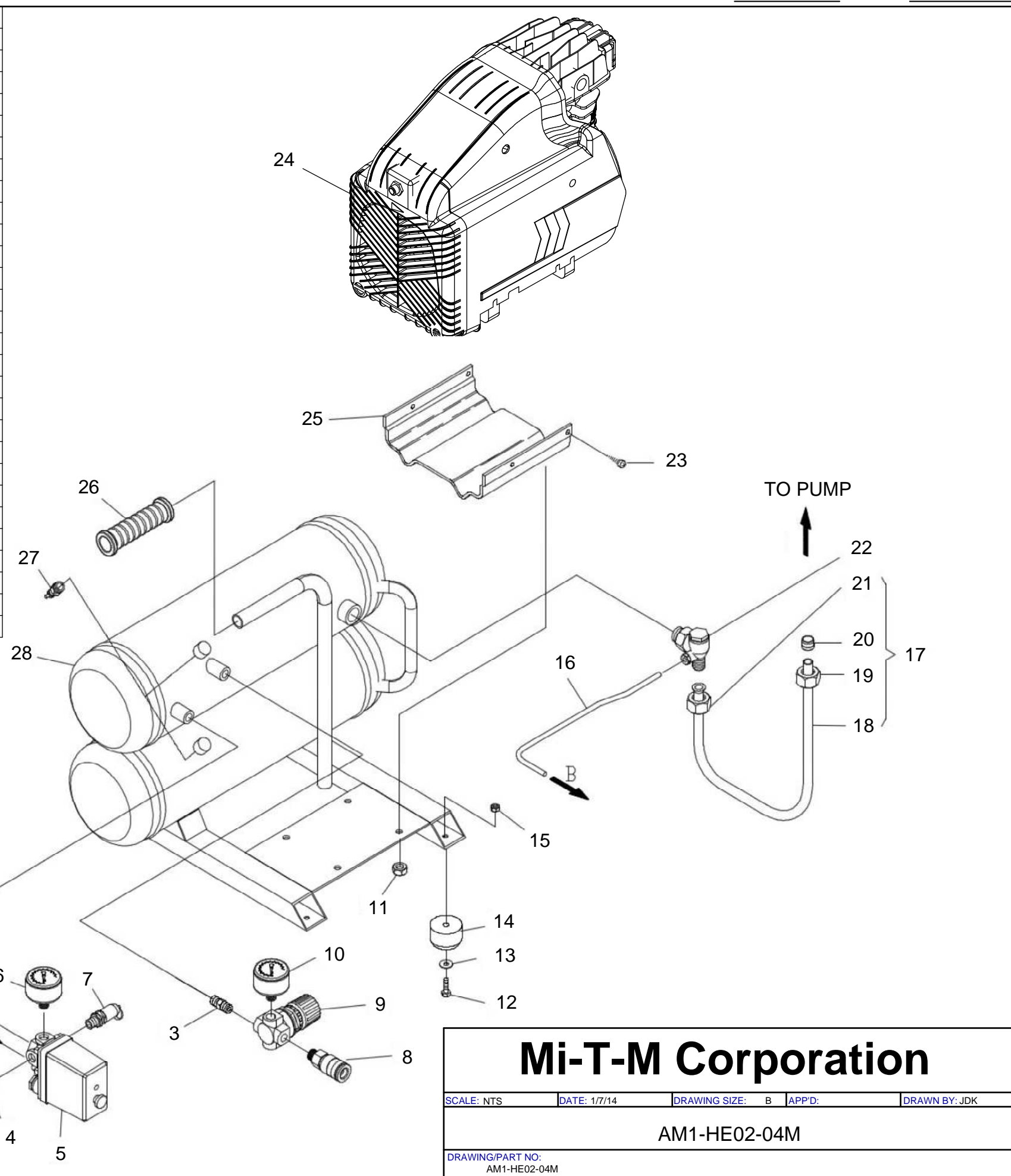


ITEM	DESCRIPTION	PART #	VENDOR	P/L	QTY
1	TERMINAL 14GA #10 FORK BLUE	32-0003	STOCK		3
2	ELECTRIC CABLE	32-0444	STOCK		1
3	NIPPLE 1/4NPT X 1/4NPT X 1.3P	24-0345	970000330		2
4	PLUG 1/4"	23-0513	7090070000		1
5	PRESSURE SWITCH	22-0483	7250640000		1
6	GUAGE - 230 PSI 55mm O.D.	22-0486	7110300000		1
7	SAFETY VALVE 1/4MNPT	22-0482	7192270000		1
8	AIR QC SOCKET 1/4 IIS X 1/4 MNPT	17-0043	STOCK		1
9	REGULATOR	22-0484	9700002777		1
10	GUAGE - 240 PSI 40mm O.D.	22-0485	7110240000		1
11	SERR.FLANGE NUT - M8-1.25P	30-3023	STOCK		4
12	HHCS-ZI GR 8.8 M6-1P X 30mm	27-8003	STOCK		4
13	M6 WASHER SS	28-0067	STOCK		4
14	ISOLATOR 1.5" O.D. X 1"	14-0137	7360010000		4
15	HEX NY LOCKNUT-SS M6-1.00P	30-5018	STOCK		4
16	RETURN HOSE	15-0338	7230010000		1
17	COPPER LINE KIT	70-0643	9700002807		1
18	COPPER LINE (SEE KIT 70-0643)	N/A	9700002780	SEE KIT	1
19	COMPRESSION NUT (SEE KIT 70-0643)	N/A	9700000325	SEE KIT	1
20	COMPRESSION RING (SEE KIT 70-0643)	N/A	7041070000	SEE KIT	1
21	COMPRESSION NUT (SEE KIT 70-0643)	N/A	9700000327	SEE KIT	1
22	CHECK VALVE	22-0481	7190080000		1
23	SCREW-M4.8 X 1.6 X 20mm	27-9551	STOCK		4
24	PUMP	3-0395	9109850080		1
25	PUMP BASE BLACK	46-1561	9700002774		1
26	HANDLE GRIP 20mm	7-0247	9100930130		1
27	DRAIN VALVE 1/4"	22-0479	9700000750		2
28	TANK 4 GAL BLACK	12-0250	9700002779		1



Mi-T-M Corporation

SCALE: NTS	DATE: 1/7/14	DRAWING SIZE: B	APPD:	DRAWN BY: JDK
AM1-HE02-04M				
DRAWING/PART NO: AM1-HE02-04M				

M:\Drawings\Part Numbers\03\3-0395.iam