

PARTS LIST FOR
1502 SERIES
PORTABLE/WALL MOUNT/HAND CARRY/ALUMINUM
ELECTRIC DRIVEN/DIRECT DRIVE
COLD WATER PRESSURE WASHER

Motor Horsepower:	2.0 H.P.
Pump Oil Grade:	Pump Oil #AW-4085-0016
Pump Oil Capacity:	11 oz.
Nozzle Size:	3.0

This Parts Listing has been compiled for your benefit. You can be assured your new Cold Water Pressure Washer was constructed and designed with quality and performance in mind using over 25 years experience in the pressure washer business. Each component has been rigorously tested to insure the highest level of acceptance.

The contents of this Parts Listing are based on the latest product information available at the time of publication. The manufacturer reserves the right to make changes in price, color, materials, equipment, specifications or models at any time without notice.

WARNING

THIS IS A PROFESSIONAL HIGH PRESSURE, COLD WATER PRESSURE WASHER. CAUTION SHOULD BE OBSERVED WHEN USING OR REPAIRING THIS UNIT! READ AND FOLLOW THE SAFETY WARNINGS LISTED BELOW BEFORE ATTEMPTING ANY REPAIRS ON THIS PRESSURE WASHER!

SAFETY WARNINGS

1. NEVER alter or modify the equipment. Be sure any accessory items and system components being used will withstand the pressure developed. Use only genuine manufactured parts for repair of your pressure washer. Failure to do so can cause hazardous operating conditions and will VOID warranty.
2. NEVER make adjustments on machinery while the unit is connected to the engine without first removing the ignition cable from the spark plug. Turning over the machinery by hand during adjustment or cleaning might start the engine and machinery with it, causing serious injury to the operator.
3. Know how to stop and bleed pressures quickly. Be thoroughly familiar with controls.
4. Before servicing the unit, turn unit off, relieve the water pressure and allow the unit to cool down. Do not make repairs while the unit is running. Service in a clean, dry, flat area. Block the wheels to prevent the unit from moving. Be especially careful to properly dispose of any flammable materials.
5. After testing the machine, DO NOT leave the pressurized unit unattended. Shut off the unit and release trapped pressure before leaving.

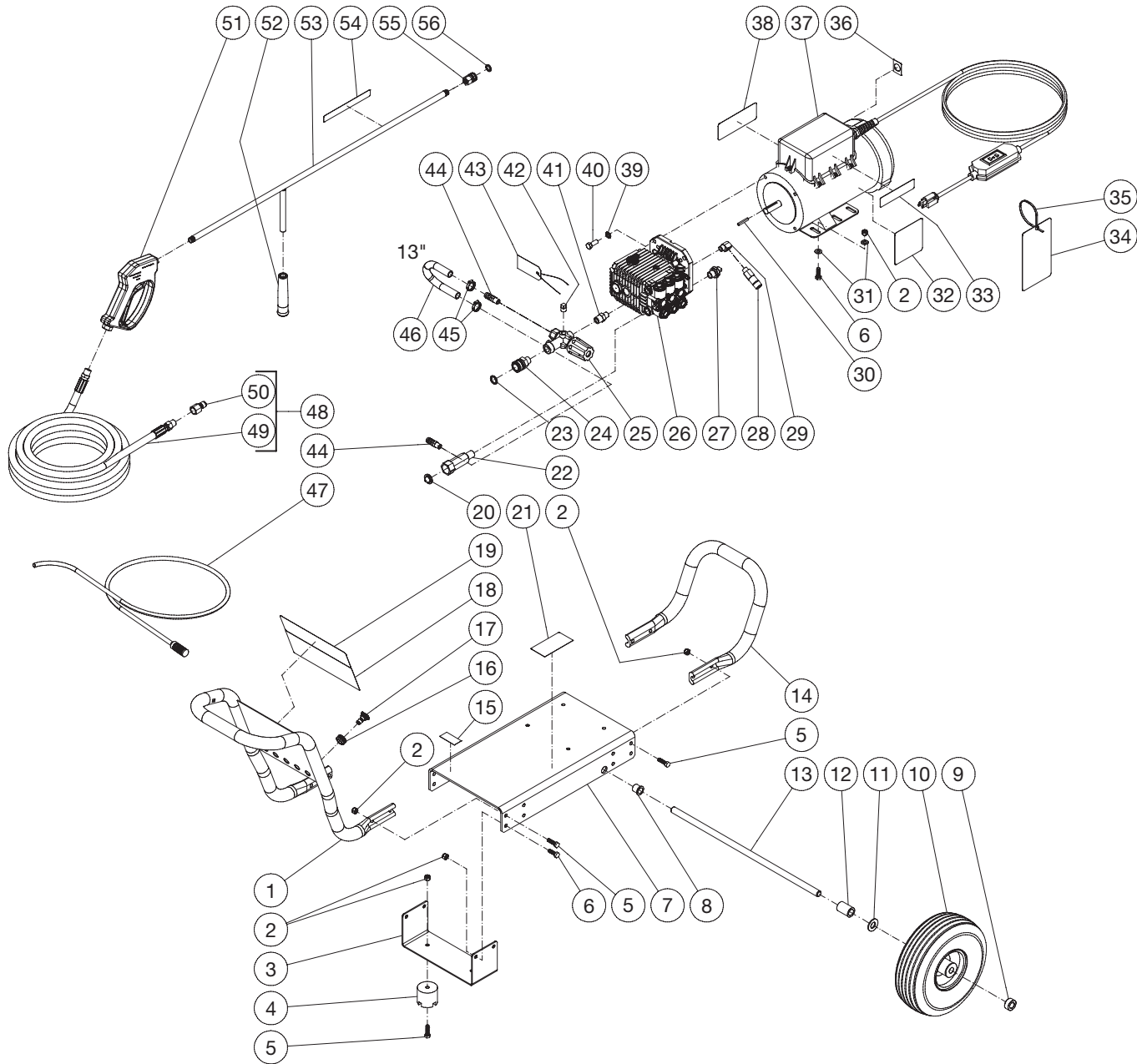
Table of Contents

SPECIFICATIONS.....	3
FRAME ASSEMBLY PORTABLE.....	4
FRAME ASSEMBLY WALL MOUNT	6
FRAME ASSEMBLY HAND CARRY	8
PUMP ASSEMBLY (3-0408)	10
UNLOADER ASSEMBLY (8-0361)	12
MOTOR ASSEMBLY (851-0417)	14
WIRING SCHEMATIC	16
WIRING DIAGRAM	17

SPECIFICATIONS

MODEL	Portable	Wall Mount	Hand Carry
Operating Pressure (PSI/Bar):	1500/103.4		
High Pressure Nozzle:	3.0		
Water Volume (GPM/lpm):	2.0/7.6		
Motor:	Totally enclosed fan cooled, circuit breaker thermal overload protection, 35ft. power supply cord with Ground Fault Circuit Interrupter (GFCI)		
Horsepower	2.0		
Voltage	120		
Phase	Single		
Amps	18.8		
Pump:	Direct Driven, Oil Bath, Triplex Piston		
Oil Type	Pump Oil #AW-4085-0016		
Oil Capacity (oz./liters)	11.0/0.33		
Plungers	Ceramic		
Manifold	Forged Brass		
Valves	Stainless Steel		
Unloader	Adjustable		
Thermal Relief Valve	Relieves heated water during unloader bypass stage		
Detergent Injector	Adjustable low pressure down stream from pump		
Unit Net Weight (lbs/Kg)	87 / 39.46	73 / 33.11	80 / 36.3
Unit Shipping Weight (lbs/Kg)	104.42 / 47.36	108.07 / 49.02	115 / 52.2
Unit Net Dimension (in/cm)	42.9L X 20.5W X 24.72H/108.97L X 52.07W X 62.79H	24.53L X 10.81W X 12.24H/62.31L X 27.46W X 31.09H	25L X 11W X 14H/63.5L X 27.9W X 35.6H
Unit Shipping Dimension (in/cm)	29.375L X 20.625W X 27.5H/74.61L X 52.39W X 69.85H		

FRAME ASSEMBLY PORTABLE

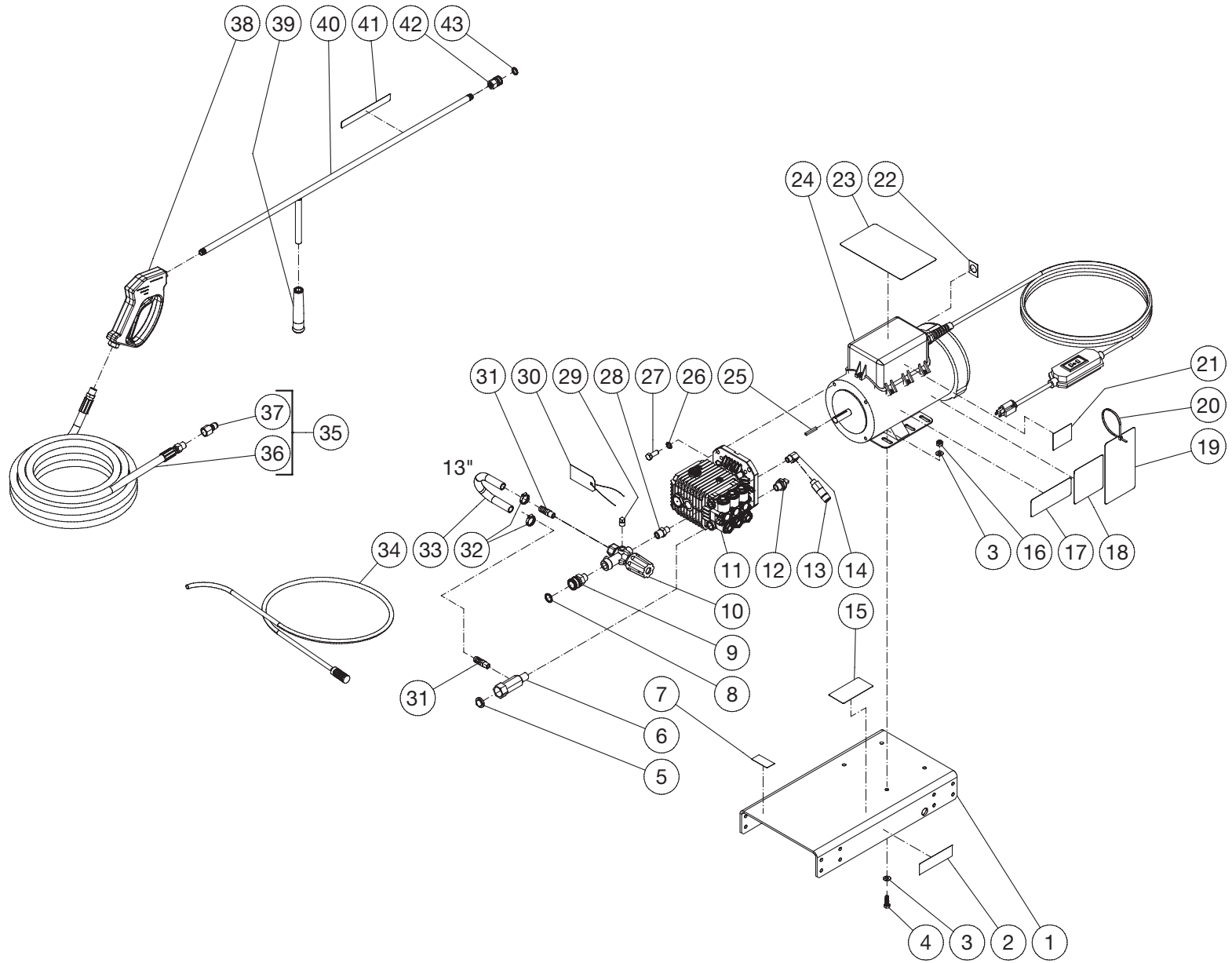


FRAME ASSEMBLY

ITEM	TITLE	PART #	QTY	ITEM	TITLE	PART #	QTY
1	HANDLE	7-0182	1	28	POP-OFF VALVE	22-0046	1
2	LOCKNUT	30-0157	18	29	ELBOW	23-0014	1
3	UNDERBRACKET	56-0086	1	30	KEY	43-0072	1
4	ISOLATOR	14-0008	2	31	WASHER	28-0003	8
5	BOLT	27-0068	10	32	DECAL - CAUTION/IMPORTANT (E/S)	N/A	1
6	BOLT	27-0067	8	33	DECAL	34-2894	1
7	BASEPLATE	5-0362	1	34	TAG - WARNING RISK OF ELECTROCUTION	34-1035	1
8	BUSHING	62-0175	2	35	CABLE TIE	33-0022	1
9	COLLAR	33-0351	2	36	DECAL-ON/OFF (SEE 71-1064)	N/A	1
10	WHEEL	14-0130	2	37	MOTOR ASSEMBLY	851-0417	1
11	WASHER	28-0008	2	38	DECAL - WARNING RISK OF INJECTION/EXPLOSION (SEE 71-1064)	N/A	1
12	SPACER	62-0176	2	39	LOCKWASHER	29-0155	4
13	AXLE	20-1463	1	40	BOLT	27-0117	4
14	HANDLE	7-0183	1	41	NIPPLE	24-0085	1
15	DECAL - MADE IN USA	34-3553	1	42	PLUG	23-0238	1
16	GROMMET	33-0001	5	43	TAG - IMPORTANT OIL PLUG	34-1067	1
17	NOZZLE	18-0387	1	44	HOSE BARB	23-0120	2
-	NOZZLE	18-0388	1	45	HOSE CLAMP	42-0011	2
-	NOZZLE	18-0390	1	46	HOSE *(TWO FEET REQUIRED)	15-0007	1
-	NOZZLE	18-0391	1	47	DETERGENT HOSE	19-0233	1
18	DECAL-WARN RISK OF ELECTRO E/S	N/A	1	48	HOSE ASS'Y	851-0359	1
19	DECAL - PLACARD SEE DX OPTION	N/A	1	49	HOSE	15-0138	1
20	FILTER	19-0001	1	50	QUICK CONNECT	17-0006	1
21	DECAL- SILVER STICKER	N/A	1	51	GUN	16-0483	1
22	INLET FITTING	23-0515	1	52	GRIP	7-0002	1
23	O-RING	25-0123	1	53	WAND (INCLUDES GRIP & QUICK CONNECT)	16-0418	1
24	QUICK CONNECT SOCKET	17-0007	1	54	DECAL - RISK OF INJECTION (SEE 71-1064)	N/A	1
25	UNLOADER	8-0361	1	55	QUICK CONNECT	17-0001	1
26	PUMP	3-0408	1	56	O-RING	25-0122	1
27	HEAT DUMP VALVE	22-0114	1	-	DECAL SET	71-1064	1

* MUST ORDER IN ONE FOOT LENGTHS

FRAME ASSEMBLY WALL MOUNT

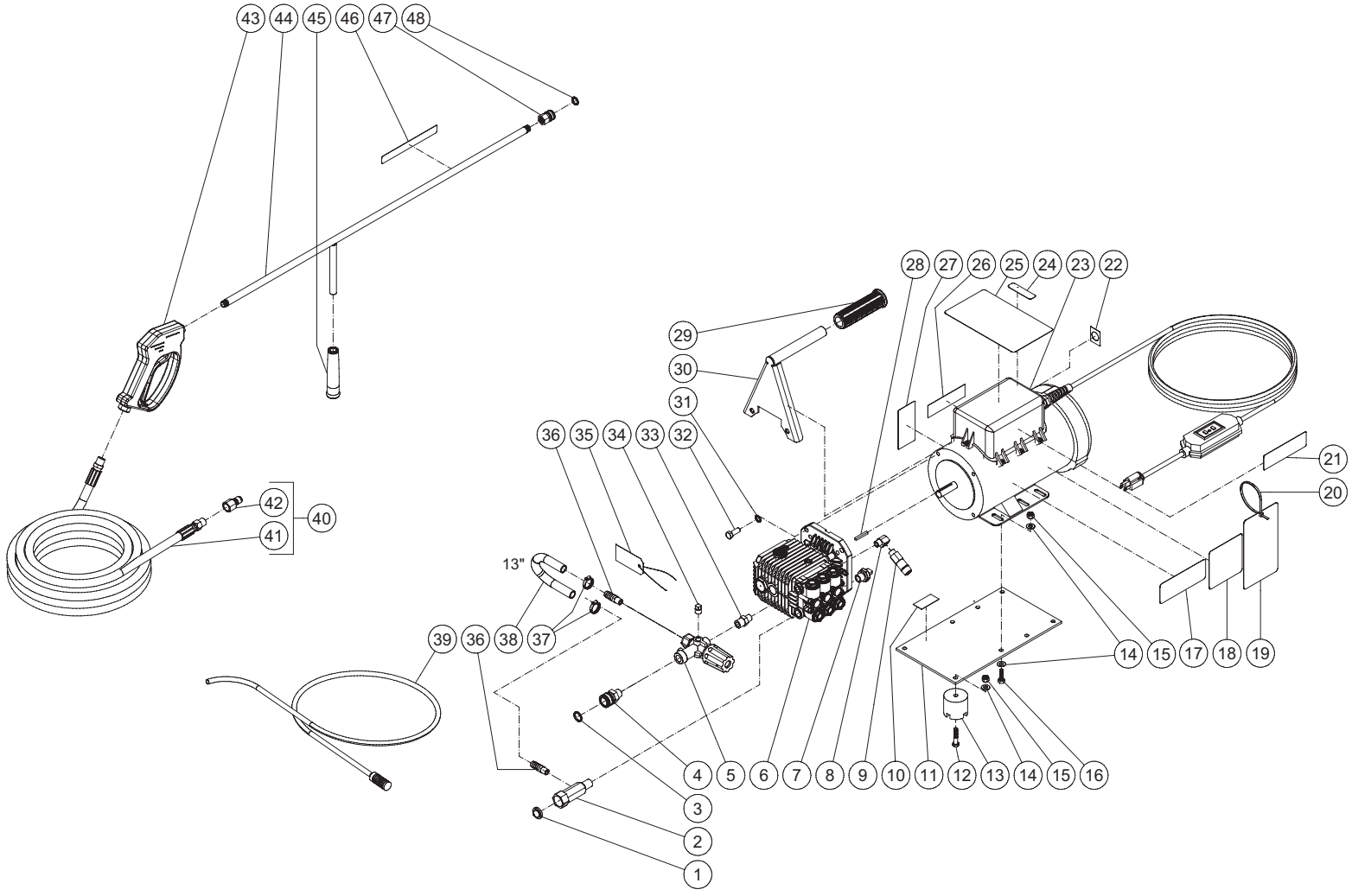


FRAME ASSEMBLY

ITEM	TITLE	PART #	QTY	ITEM	TITLE	PART #	QTY
1	BASEPLATE	5-0362	1	23	DECAL - WARNING RISK OF ELECTROCUTION (SEE 71-1012)	N/A	1
2	DECAL	N/A	1	24	MOTOR ASSEMBLY	851-0417	1
3	WASHER	28-0003	8	25	KEY	43-0072	1
4	BOLT	27-0067	4	26	LOCKWASHER	29-0155	4
5	FILTER	19-0001	1	27	BOLT	27-0117	4
6	INLET FITTING	23-0515	1	28	NIPPLE	24-0085	1
7	DECAL - MADE IN USA	34-3553	1	29	PLUG	23-0238	1
8	O-RING	25-0123	1	30	TAG - IMPORTANT OIL PLUG	34-1067	1
9	QUICK CONNECT SOCKET	17-0007	1	31	HOSE BARB	23-0120	2
10	UNLOADER	8-0361	1	32	HOSE CLAMP	42-0011	2
11	PUMP	3-0408	1	33	HOSE *(TWO FEET REQUIRED)	15-0007	1
12	HEAT DUMP VALVE	22-0114	1	34	DETERGENT HOSE	19-0233	1
13	POP-OFF VALVE	22-0046	1	35	HOSE ASS'Y	851-0359	1
14	ELBOW	23-0014	1	36	HOSE	15-0138	1
15	DECAL- SILVER STICKER	N/A	1	37	QUICK CONNECT	17-0006	1
16	LOCKNUT	30-0157	4	38	GUN	16-0483	1
17	DECAL - WARNING RISK OF INJECTION/EXPLOSION (SEE 71-1012)	N/A	1	39	GRIP	7-0002	1
18	DECAL - CAUTION/IMPORTANT (SEE 71-1012)	N/A	1	40	WAND (INCLUDES GRIP & QUICK CONNECT)	16-0418	1
19	TAG - WARNING RISK OF ELECTROCUTION	34-1035	1	41	DECAL - RISK OF INJECTION (SEE 71-1012)	N/A	1
20	CABLE TIE	33-0022	1	42	QUICK CONNECT	17-0001	1
21	DECAL - LOGO SEE DX OPTION	N/A	1	43	O-RING	25-0122	1
22	DECAL-ON/OFF (SEE 71-1012)	N/A	1	-	DECAL SET	71-1012	1

*MUST ORDER IN ONE FOOT LENGTHS

FRAME ASSEMBLY HAND CARRY



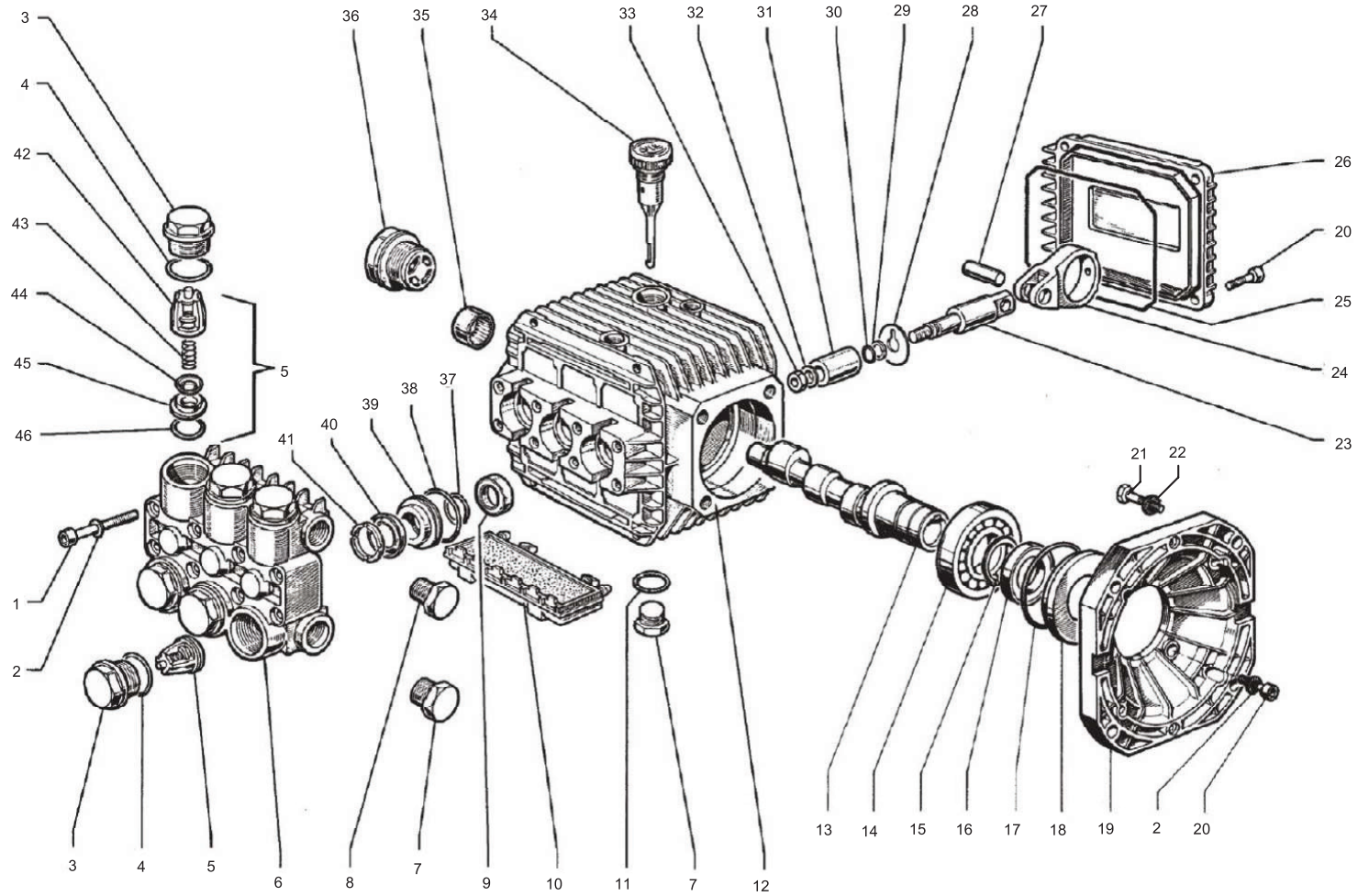
FRAME ASSEMBLY

ITEM	DESCRIPTION	PART #	QTY	ITEM	DESCRIPTION	PART #	QTY
1	FILTER	19-0001	1	26	DECAL	N/A	1
2	INLET FITTING	23-0515	1	27	DECAL- SILVER STICKER	N/A	1
3	O-RING	25-0123	1	28	KEY	43-0072	1
4	QUICK CONNECT SOCKET	17-0007	1	29	HANDLE GRIP	7-0059	1
5	UNLOADER	8-0361	1	30	HANDLE	7-0078A53	1
6	PUMP	3-0408	1	31	LOCKWASHER	29-0155	4
7	HEAT DUMP VALVE	22-0114	1	32	BOLT	27-0117	4
8	ELBOW	23-0014	1	33	NIPPLE	24-0085	1
9	POP-OFF VALVE	22-0046	1	34	PLUG	23-0238	1
10	DECAL - MADE IN USA	34-3553	1	35	TAG - IMPORTANT OIL PLUG	34-1067	1
11	BASEPLATE	5-0373	1	36	HOSE BARB	23-0120	2
12	BOLT	27-0069	4	37	HOSE CLAMP	42-0011	2
13	ISOLATOR	14-0008	4	38	HOSE *(TWO FEET REQUIRED)	15-0007	1
14	WASHER	28-0003	12	39	DETERGENT HOSE	19-0233	1
15	LOCKNUT	30-0157	8	40	HOSE ASS'Y	851-0359	1
16	BOLT	27-0067	4	41	HOSE	15-0138	1
17	DECAL - WARNING RISK OF INJECTION/EXPLOSION (SEE 71-1012)	N/A	1	42	QUICK CONNECT	17-0006	1
18	DECAL - CAUTION/IMPORTANT (SEE 71-1012)	N/A	1	43	GUN	16-0483	1
19	TAG - WARNING RISK OF ELECTROCUTION	34-1035	1	44	WAND (INCLUDES GRIP & QUICK CONNECT)	16-0418	1
20	CABLE TIE	33-0022	1	45	GRIP	7-0002	1
21	DECAL - SEE DX OPTION	N/A	1	46	DECAL - RISK OF INJECTION (SEE 71-1012)	N/A	1
22	DECAL-ON/OFF (SEE 71-1012)	N/A	1	47	QUICK CONNECT	17-0001	1
23	MOTOR ASSEMBLY	851-0417	1	48	O-RING	25-0122	1
24	DECAL - WARNING POTABLE WATER (E/S)	N/A	1	-	DECAL SET	71-1012	1
25	DECAL - WARNING RISK OF ELECTROCUTION (SEE 71-1012)	N/A	1				

*MUST ORDER IN ONE FOOT LENGTHS

PUMP ASSEMBLY (3-0408)

TORQUE SPEC.		
POSITION	FT-LBS	NM
1	8.8	12
3	33.1	45
7	29.4	40
8	14.7	20
20	7.3	10
21	22.1	30
33	11.0	15
36	13.2	18



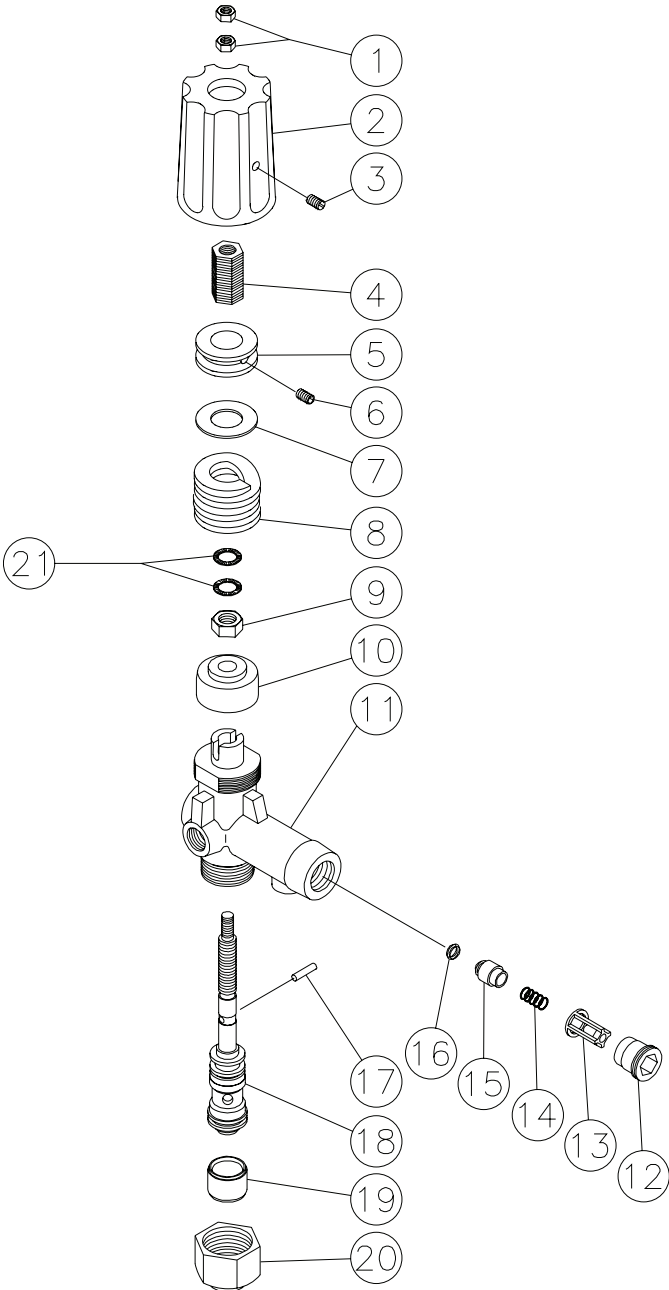
PUMP ASSEMBLY

ITEM	DESCRIPTION	PART #	QTY	ITEM	DESCRIPTION	PART #	QTY
1	BOLT	27-8406	12	23	O-RING	25-0332	1
2	WASHER	28-0203	16	24	CRANKCASE COVER	46-0151	1
3	VALVE PLUG (SEE KIT 70-0673)	39-0035	6	25	CONNECTING ROD PIN	43-0044	3
4	O-RING (SEE KIT 70-0673)	SEE KIT	6	26	WASHER	46-0167	3
5	VALVE ASSEMBLY (SEE KIT 70-0672)	SEE KIT	6	27	ANTI-EXTRUSION RING	25-0143	3
6	MANIFOLD	N/A	1	28	O-RING	25-0645	3
7	PLUG	39-0017	1	29	PLUNGER	46-0148	3
8	PLUG	39-0018	2	30	WASHER	46-0166	3
9	GASKET (SEE KIT 70-0015)	26-0373	3	31	NUT	46-0168	3
10	DRIP FAN	46-0229	1	32	DIPSTICK	46-0143	1
11	O-RING	25-0052	1	33	BEARING NEEDLE	48-0019	1
12	CRANKCASE	46-0221	1	34	OIL SIGHT GLASS	46-0114	1
13	CRANKSHAFT	N/A	1	35	O-RING (SEE KIT 70-0674 OR 70-0023 OR 70-0024)	25-0128	3
14	BEARING	48-0024	1	36	O-RING (SEE KIT 70-0674 OR 70-0023 OR 70-0024)	25-0141	3
15	SNAP RING	46-0245	1	37	PACKING RETAINER (SEE KIT 70-0674 OR 70-0023)	46-0158	3
16	OIL SEAL	26-0126	1	38	PACKING (SEE KIT 70-0023 OR 70-0024)	26-0124	3
17	O-RING	25-0060	1	39	HEAD RING (SEE KIT 70-0023 OR 70-0024)	SEE KIT	3
18	SPACER	46-0087	1	40	VALVE CAGE	N/A	6
19	PUMP FLANGE	38-0032	1	41	SPRING	N/A	6
20	SCREW	27-8409	8	42	VALVE PLATE	N/A	6
21	PISTON GUIDE	46-0149	3	43	VALVE SEAT	N/A	6
22	CONNECTING ROD	46-0152	4	44	O-RING	25-0053	6

REPLACEMENT KITS

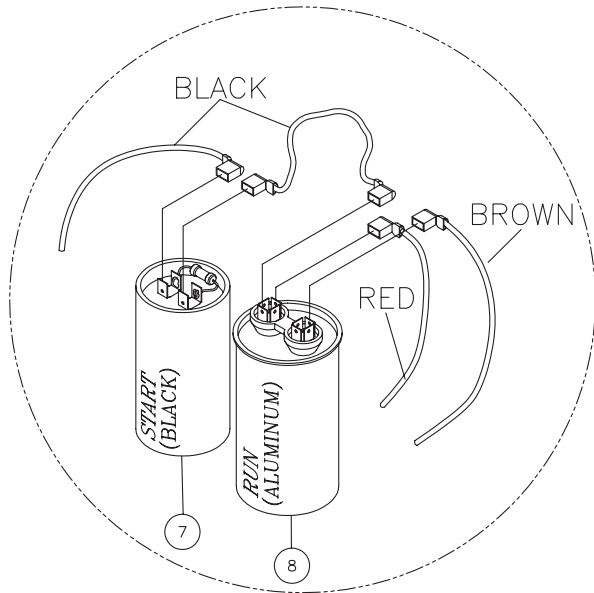
KIT #	DESCRIPTION	ITEMS	# OF ASSEMBLIES	# OF CYLINDERS
70-0672	KIT - VALVE	5	6	3
70-0015	KIT - OIL SEAL	9	3	3
70-0673	KIT - VALVE PLUG	3,4	6	3
70-0674	KIT PACKING RETAINER	35, 36, 37	3	3
70-0023	KIT - PACKING - W/BRASS	35,36,37,38,39	1	1
70-0024	KIT - PACKING	35,36,38,39	3	3

UNLOADER ASSEMBLY (8-0361)

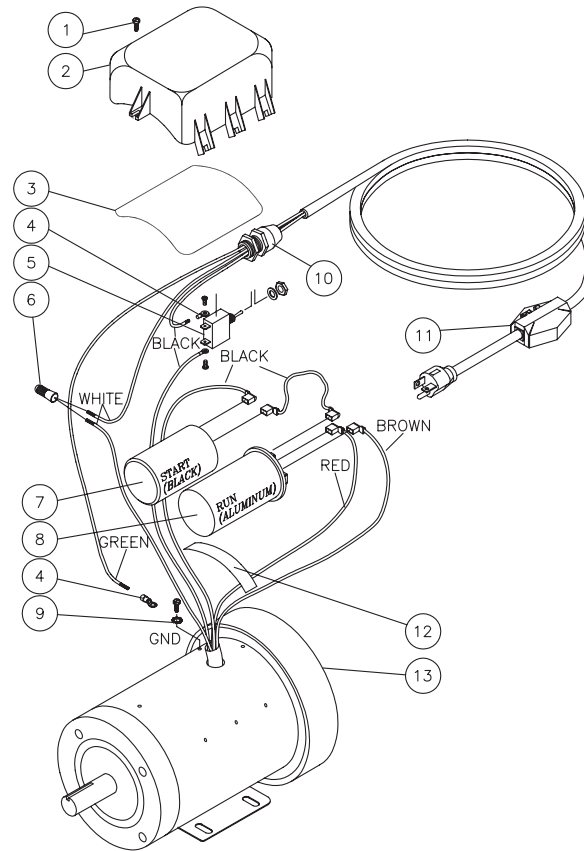


UNLOADER (850-0252)			
REF. #	DESCRIPTION	PART #	QTY.
1	Hex Nut	8-0362	2
2	Cover	7-0098	1
3	Set Screw	27-4280	1
4	Adjusting Insert- Brass	8-0363	1
5	Adjustment Nut	8-0364	1
6	Set Screw	8-0365	1
7	Glide Ring	8-0366	1
8	Spring	49-0104	1
9	Hex Nut	8-0367	1
10	Bushing	8-0368	1
11	Unloader Body	8-0369	1
12	Retainer	8-0269	1
13	Valve Housing	8-0104	1
14	Spring	49-0023	1
15	Valve	8-0105	1
16	O-ring	25-0036	1
17	Cylinder Pin	8-0372	1
18	Piston Repair Kit	70-0243	1
19	Spacer	8-0371	1
20	Stop Nut	8-0157	1
21	Washer	29-0154	2
	Check Valve Repair Kit (Includes 13-16)	70-0244	
	Unloader Complete	850-0252	

MOTOR ASSEMBLY (851-0417)



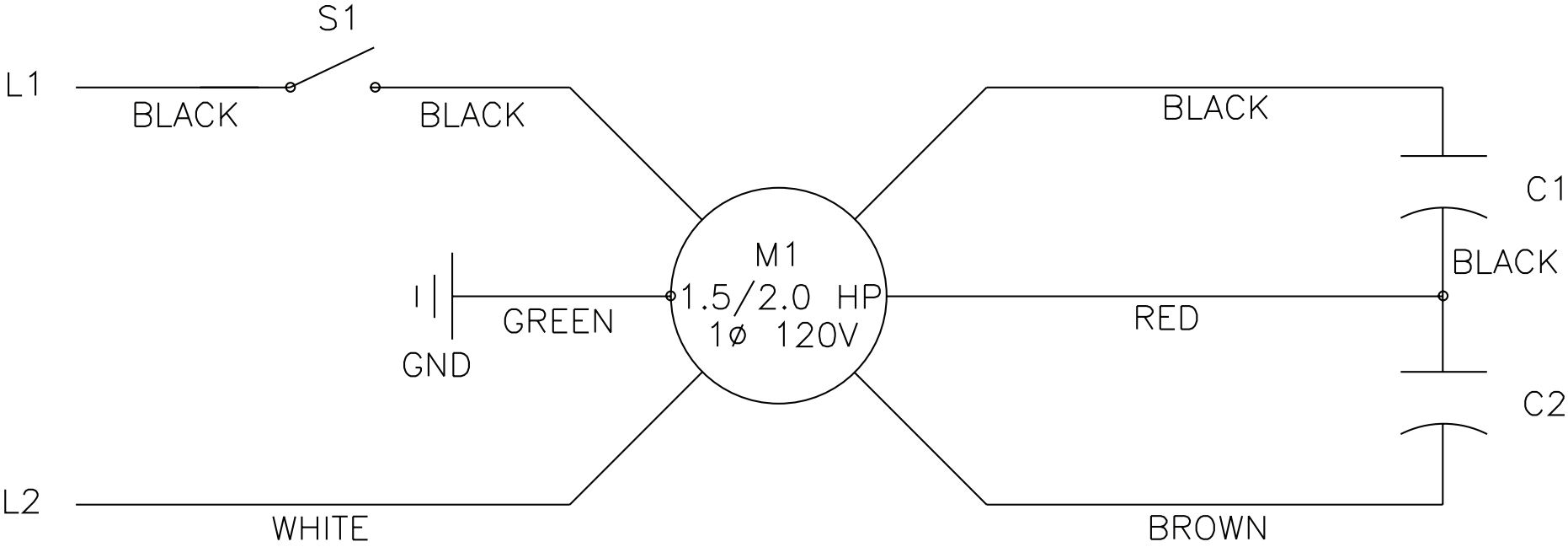
CAPACITOR TERMINAL ASSEMBLY



MOTOR ASSEMBLY			
REF. #	DESCRIPTION	PART #	QTY.
1	Hex Screw	27-8389	8
2	Motor Box	52-0041	1
3	O-ring	25-0338	1
4	Terminal	32-0099	2
5	Switch (20 Amp)	32-0348	1
6	Crimp Splice	32-0359	1
7	Starting Capacitor 1.5	32-0411	1
-	Starting Capacitor 2.0	32-0412	1
8	Running Capacitor	32-0413	1
9	Lockwasher	28-1009	1
10	Strain Relief	32-0407	1
11	GFCI Cord 20 Amp	32-0215	1
-	GFCI Cord 15 Amp	32-0268	1
12	Motor Box Strap	52-0042	1
13	Motor- 1.5 H.P. (See 851-0247)	2-0083	1
-	Motor- 2.0 H.P. (See 851-0248)	2-0084	1
-	Motor- 2.0 H.P. (See 851-0417)	2-0195	1
	Complete Motor Assembly (Inc. 1-13)	851-0247	
	Complete Motor Assembly (Inc. 1-13)	851-0248	
	Complete Motor Assembly (Inc. 1-13)	851-0417	

WIRING SCHEMATIC

SCHEMATIC



OMCWU189S-032395-DCE

WIRING DIAGRAM

