

PARTS LIST FOR
3504 SERIES
PORTABLE
GASOLINE DRIVEN/BELT DRIVE
COLD WATER PRESSURE WASHER

Engine Oil Grade:	SAE10W-30
Engine Oil Capacity:	37 oz.
Pump Oil Grade:	Pump Oil #AW-4085-0016
Pump Oil Capacity:	40.6 oz.
Nozzle Size:	4.0

This Parts Listing has been compiled for your benefit. You can be assured your new Cold Water Pressure Washer was constructed and designed with quality and performance in mind using over 25 years experience in the pressure washer business. Each component has been rigorously tested to insure the highest level of acceptance.

The contents of this Parts Listing are based on the latest product information available at the time of publication. The manufacturer reserves the right to make changes in price, color, materials, equipment, specifications or models at any time without notice.

WARNING

THIS IS A PROFESSIONAL HIGH PRESSURE, COLD WATER PRESSURE WASHER. CAUTION SHOULD BE OBSERVED WHEN USING OR REPAIRING THIS UNIT! READ AND FOLLOW THE SAFETY WARNINGS LISTED BELOW BEFORE ATTEMPTING ANY REPAIRS ON THIS PRESSURE WASHER!

SAFETY WARNINGS

1. NEVER alter or modify the equipment. Be sure any accessory items and system components being used will withstand the pressure developed. Use only genuine manufactured parts for repair of your pressure washer. Failure to do so can cause hazardous operating conditions and will VOID warranty.
2. NEVER make adjustments on machinery while the unit is connected to the engine without first removing the ignition cables from the spark plugs. Turning over the machinery by hand during adjustment or cleaning might start the machinery, causing serious injury to the operator.
3. Know how to stop and bleed pressures quickly. Be thoroughly familiar with controls.
4. Before servicing the unit, turn unit off, relieve the water pressure and allow the unit to cool down. Do not make repairs while the unit is running. Service in a clean, dry, flat area.
5. After testing the machine, DO NOT leave the pressurized unit unattended. Shut off the unit and release trapped pressure before leaving.

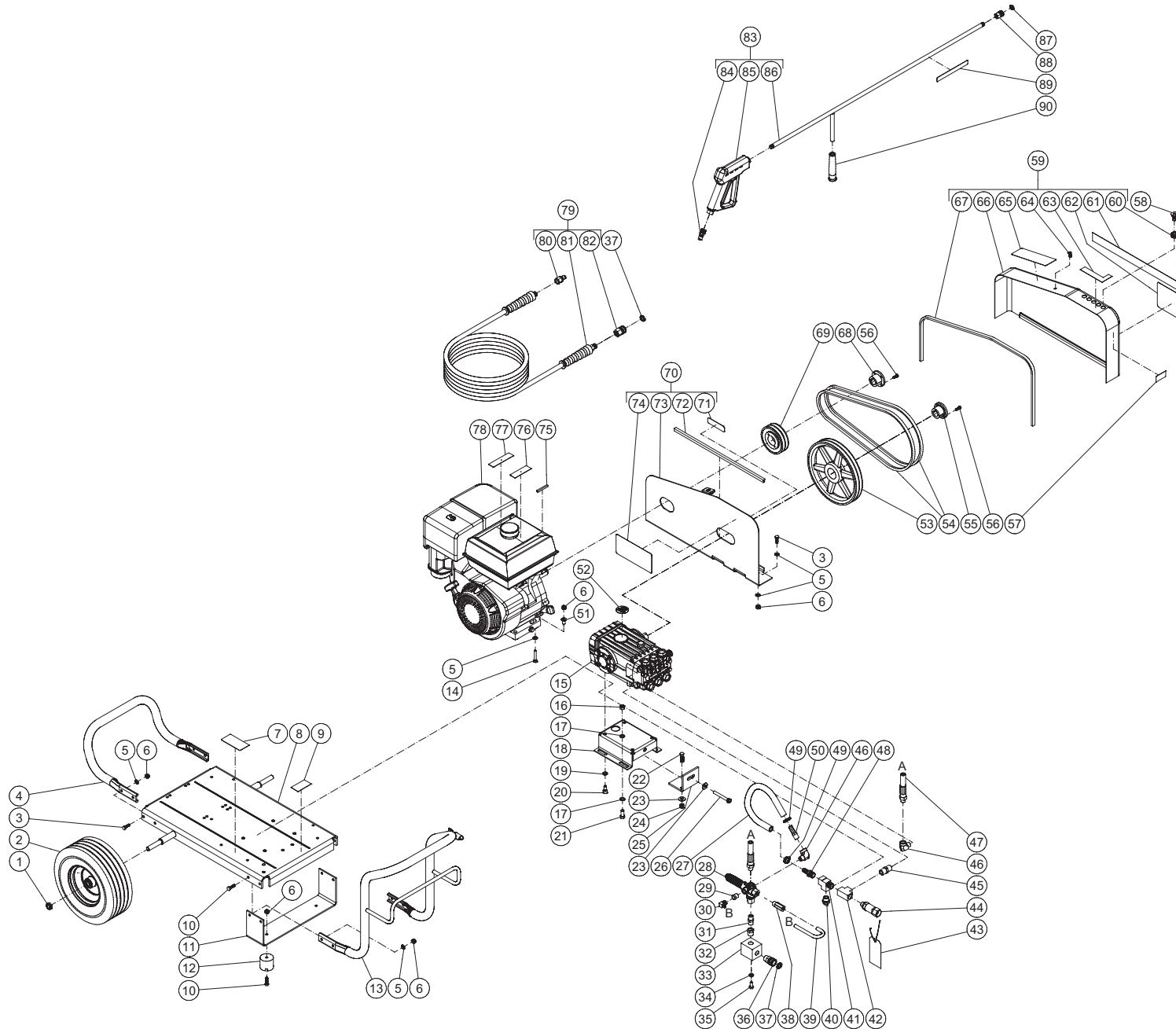
Table of Contents

SPECIFICATIONS.....	3
FRAME ASSEMBLY FOR 3504.....	4
PUMP ASSEMBLY (3-0203) (AFTER SERIAL #10375000).....	6
UNLOADER ASSEMBLY (8-0634).....	8

SPECIFICATIONS

Operating Pressure (PSI/Bar):	3500/241.3
High Pressure Nozzle:	4.0
Water Volume (GPM/lpm):	3.8/14.4
Engine:	Honda
Model	GX390
Engine Type	4 Stroke, Overhead Valve, Single Cylinder
Oil Type	SAE10W-30
Oil Capacity (oz./liter)	37.2/1.1
Low Oil Protection	Oil Alert™
Fuel Type	Unleaded Gasoline 86 Octane Minimum
Fuel Capacity (gal./liter)	1.7/6.4
Starting	Recoil
Maximum No Load RPM	3600 (+/- 100) RPM
Pump:	Belt Driven, Oil Bath, Triplex Piston
Oil Type	Pump Oil #AW-4085-0016
Oil Capacity (oz./liters)	40.6/1.2
Plungers	Ceramic
Manifold	Forged Brass
Valves	Stainless Steel
Unloader	Preset
Heat Dump Valve	Relieves heated water during unloader bypass stage
Unit Net Weight (lbs/Kg)	215.5/97.5
Unit Shipping Weight (lbs/Kg)	291/132
Unit Net Dimension (cm)	46Lx28Wx30H/117Lx71Wx76H
Unit Shipping Dimension (cm)	48.5Lx30.5Wx35.5H/123Lx77.5Wx90H

FRAME ASSEMBLY FOR 3504



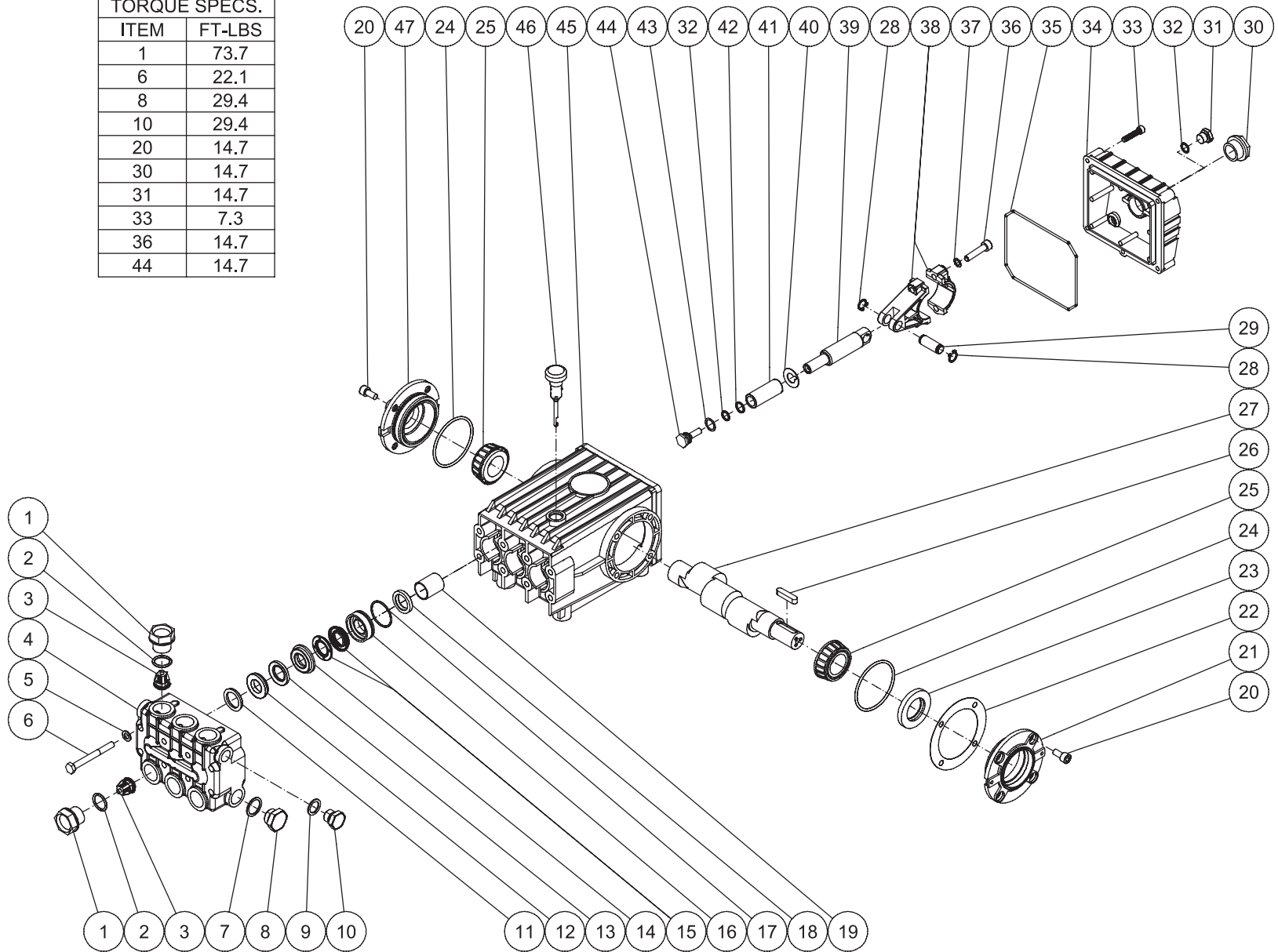
DC-3504-W5H6G 062317 JJR

FRAME ASSEMBLY							
ITEM	DESCRIPTION	PART #	QTY	ITEM	DESCRIPTION	PART #	QTY
1	LOCKNUT	30-0117	2	48	BARB	23-0045	1
2	WHEEL	14-0127	2	49	HOSE CLAMP	42-0011	2
3	BOLT	27-0067	8	50	HOSE BARB	23-0105	1
4	HANDLE	7-0175A01	1	51	SHIM	33-0169	4
5	WASHER	28-0003	20	52	DECAL - PUMP	34-2290	1
6	LOCKNUT	30-0157	18	53	SHEAVE	10-0040	1
7	DECAL- SILVER STICKER	N/A	1	54	BELT	11-0035	2
8	BASEPLATE	5-0078A01	1	55	BUSHING	9-0017	1
9	DECAL	N/A	1	56	BOLT	27-0015	4
10	BOLT	27-0068	6	57	DECAL - MADE IN USA	34-3553	1
11	UNDERBRACKET	13-0137A01	1	58	NOZZLE	18-0397	1
12	ISOLATOR	14-0008	2	-	NOZZLE	18-0399	1
13	HANDLE	7-0174A01	1	-	NOZZLE	18-0400	1
14	BOLT	27-0070	4	-	NOZZLE	18-0401	1
15	PUMP	3-0203	1	59	BELT GUARD COVER ASSEMBLY (INC 60-67)	851-0218	1
16	LOCKNUT	30-0161	4	60	GROMMET	33-0001	5
17	WASHER	28-0030	8	61	DECAL - STRIPE	N/A	1
18	PUMP BRACKET	5-0101A01	1	62	DECAL - LOGO	N/A	1
19	LOCKWASHER	29-0055	4	63	DECAL - NOZZLE	N/A	1
20	BOLT	27-8471	4	64	FASTENER	33-0197	1
21	BOLT	27-0166	4	65	DECAL - OPERATION (SEE 71-1038)	N/A	1
22	BOLT	27-0118	2	66	BELTGUARD COVER	6-0064A01	1
23	WASHER	28-0023	3	67	EDGING *(FOUR FEET REQUIRED)	33-0020	1
24	LOCKNUT	30-0159	2	68	BUSHING	9-0005	1
25	BRACKET	13-0003A01	1	69	SHEAVE	10-0030	1
26	BOLT	27-0576	1	70	BELT GUARD BACK ASSEMBLY (INC 71-74)	851-0215	1
27	HOSE	15-0022	1	71	DECAL - WARNING (SEE 71-1038)	N/A	1
28	UNLOADER	8-0634	1	72	EDGING *(TWO FEET REQUIRED)	33-0020	1
29	REDUCER	23-0017	1	73	BELTGUARD BACK	N/A	1
30	ELBOW	23-0237	1	74	DECAL - WARNING (SEE 71-1038)	N/A	1
31	NIPPLE	24-0010	1	75	KEY	43-0078	1
32	REDUCER	24-0282	1	76	DECAL - RISK OF FIRE (SEE 71-1038)	N/A	1
33	MANIFOLD BLOCK	51-0012	1	77	DECAL - RISK OF BURNS (SEE 71-1038)	N/A	1
34	LOCKWASHER	29-0008	2	78	ENGINE - HONDA	1-0086	1
35	BOLT	27-0116	2	79	HOSE ASSEMBLY (INC 80-82)	851-0006	1
36	QUICK CONNECT SOCKET	17-0029	1	80	QUICK CONNECT	17-0006	1
37	O-RING	25-0123	2	81	HOSE	15-0209	1
38	EASY START VALVE	22-0242	1	82	QC SOCKET	17-0004	1
39	HOSE	15-0140	1	83	GUN/WAND ASSEMBLY (INC 84-86)	851-0371	1
40	RELIEF VALVE	22-0005	1	84	QUICK CONNECT	17-0005	1
41	TEE	23-0124	1	85	GUN	16-0001	1
42	TEE	23-0043	1	86	WAND (INC GRIP & QC)	16-0439	1
43	TAG - WATER SUPPLY INLET (E)	N/A	1	87	O-RING	25-0122	1
44	FILTER	19-0206	1	88	QUICK CONNECT	17-0001	1
45	NIPPLE	23-0012	1	89	DECAL - RISK OF INJECTION (SEE 71-1038)	N/A	1
46	ELBOW	24-0105	2	90	GRIP	7-0002	1
47	HIGH PRESSURE HOSE	15-0194	1	-	DECAL SET	71-1038	1

*MUST ORDER IN ONE FOOT LENGTHS

PUMP ASSEMBLY (3-0203) (AFTER SERIAL #10375000)

TORQUE SPECS.	
ITEM	FT-LBS
1	73.7
6	22.1
8	29.4
10	29.4
20	14.7
30	14.7
31	14.7
33	7.3
36	14.7
44	14.7

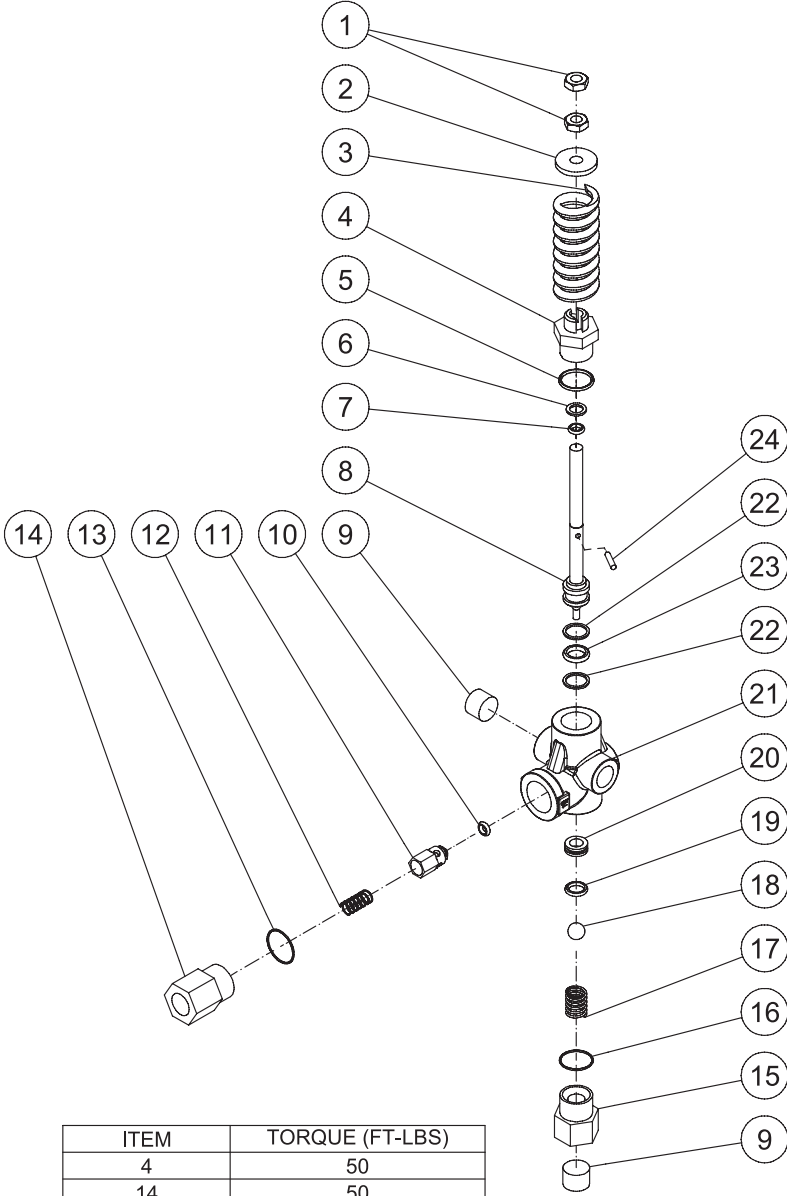


3-0202_3-0203-082713- JDK

PUMP ASSEMBLY							
ITEM	DESCRIPTION	PART #	QTY	ITEM	DESCRIPTION	PART #	QTY
1	VALVE CAP	46-0889	6	25	BEARING	48-0012	2
2	O-RING	25-0012	6	26	KEY	43-0048	1
3	VALVE (SEE KIT 71-0009)	SEE KIT	6	27	CRANKSHAFT	46-0050	1
4	MANIFOLD	46-0890	1	28	RETAINING RING	46-0103	6
5	WASHER	28-1039	8	29	CONNECTING ROD PIN	43-0032	3
6	BOLT	27-8185	8	30	OIL LEVEL INDICATOR	46-0114	1
7	WASHER	28-1038	2	31	PLUG	39-0017	1
8	PLUG	39-0019	2	32	O-RING	25-0014	4
9	WASHER	28-1002	2	33	BOLT	27-8404	5
10	PLUG	39-0018	2	34	CRANKCASE OPEN COVER	46-0295	1
11	HEAD RING (SEE KIT 71-0030 OR 852-0122)	SEE KIT	3	35	O-RING	25-0339	1
12	V-PACKING SUPPORT (SEE KIT 70-0147 OR 852-0122)	SEE KIT	3	36	BOLT	27-8435	6
13	O-RING (SEE KIT 70-0147 OR 70-0148 OR 852-0122)	SEE KIT	3	37	LOCKWASHER	29-0154	6
14	HIGH PRESSURE INTERMEDIATE SEAL RETAINER (SEE KIT 70-0148)	SEE KIT	3	38	CONNECTING ROD	46-0051	3
15	PRESSURE SEAL (SEE KIT 70-0147 OR 852-0122)	SEE KIT	3	39	PISTON ROD	46-0056	3
16	LOW PRESSURE SEAL RETAINER	46-0057	3	40	SLINGER WASHER	46-0146	3
17	O-RING (SEE 852-0122)	SEE KIT	3	41	PLUNGER	46-0052	3
18	OIL SEAL	26-0047	3	42	BACK-UP RING	46-0109	3
19	BUSHING	9-0029	3	43	WASHER	28-0400	3
20	BOLT	27-8431	8	44	NUT / PISTON	46-0069	3
21	CRANKCASE COVER	46-0296	1	45	CRANKCASE	46-0047	1
22	SHIM	46-0113	1	46	OIL DIP STICK	46-0144	1
23	OIL SEAL	26-0049	1	47	CRANKCASE COVER	46-0336	1
24	O-RING	25-0013	2				

REPLACEMENT KITS				
Mi-T-M KIT #	DESCRIPTION	ITEMS	# OF ASSEMBLIES	# OF CYLINDERS
70-0009	KIT - VALVES	3	6	3
70-0030	KIT - HEAD RING	11	3	3
70-0147	KIT - V-PACKING	12, 13, 15	3	3
70-0148	KIT - INTERMEDIATE RETAINER	13, 14	3	3
852-0122	V-PACKING ASSY	11-13, 15, 17	3	3

UNLOADER ASSEMBLY (8-0634)



ITEM	TORQUE (FT-LBS)
4	50
14	50
15	50

8-0634 052213 JDK			
UNLOADER ASSEMBLY			
ITEM	DESCRIPTION	PART #	QTY
1	NUT	8-0293	2
2	SPRING SPACER	46-1527	1
3	SPRING	49-0171	1
4	FITTING	46-1529	1
5	O-RING (SEE KIT 70-0625)	SEE KIT	1
6	O-RING (SEE KIT 70-0625)	SEE KIT	1
7	O-RING (SEE KIT 70-0625)	SEE KIT	1
8	STEM	46-1530	1
9	PLUG	23-0244	2
10	O-RING (SEE KIT 70-0624)	SEE KIT	1
11	POPPET (SEE KIT 70-0624)	SEE KIT	1
12	SPRING (SEE KIT 70-0624)	SEE KIT	1
13	O-RING	25-0672	1
14	OUTLET FITTING	46-1531	1
15	INLET FITTING (SEE KIT 70-0625)	SEE KIT	1
16	O-RING (SEE KIT 70-0625)	SEE KIT	1
17	SPRING	49-0172	1
18	BALL (SEE KIT 70-0625)	SEE KIT	1
19	O-RING (SEE KIT 70-0625)	SEE KIT	1
20	SEAT	46-1532	1
21	FORGING	46-1533	1
22	BACKUP RING (SEE KIT 70-0625)	SEE KIT	2
23	O-RING (SEE KIT 70-0625)	SEE KIT	1
24	PIN (SEE KIT 70-0625)	SEE KIT	1

REPLACEMENT KITS			
KIT #	DESCRIPTION	ITEMS	QTY
70-0624	KIT - CHECK VALVE	10-12	1, 1, 1
70-0625	KIT - UNLOADER REBUILD	5-7, 15-16, 18-19, 22-24	1, 1, 1, 1, 1, 1, 1, 2, 1, 1

Manufactured by Mi-T-M
8650 Enterprise Drive, Peosta IA 52068
563-556-7484/ Fax 563-556-1235