

PARTS LIST FOR
1002/1502/2003 SERIES
PORTABLE
ELECTRIC DRIVEN/DIRECT DRIVE
TOP FIRED OIL HEATED
WITH FLOAT
HOT WATER PRESSURE WASHER

PUMP OIL GRADE: 15W20 Detergent
PUMP OIL CAPACITY: 11.2 oz
FUEL NOZZLE:
1002: 1.10 60°B Delavan
1502: 1.00 60°B Delavan
2003: 1.25 60°B Delavan

BTU INPUT:
1002: 186,000 / hour
1502: 169,000 / hour
2003: 207,000 / hour
PRESSURE NOZZLE SIZE:
1002: 4.0
1502: 3.0
2003: 3.5

This Parts Listing has been compiled for your benefit. You can be assured your new hot water pressure washer was constructed and designed with quality and performance in mind using over 25 years experience in the pressure washer business. Each component has been rigorously tested to insure the highest level of acceptance.

The contents of this Parts Listing are based on the latest product information available at the time of publication. The manufacturer reserves the right to make changes in price, color, materials, equipment, specifications or models at any time without notice.

WARNING

THIS IS A PROFESSIONAL HIGH PRESSURE, HOT WATER PRESSURE WASHER. CAUTION SHOULD BE OBSERVED WHEN USING OR REPAIRING THIS UNIT! READ AND FOLLOW THE SAFETY WARNINGS LISTED BELOW BEFORE ATTEMPTING ANY REPAIRS ON THIS PRESSURE WASHER!

SAFETY WARNINGS

1. NEVER alter or modify the equipment. Be sure any accessory items and system components being used will withstand the pressure developed. Use only genuine manufactured parts for repair of your pressure washer. Failure to do so can cause hazardous operating conditions and will VOID warranty.
2. NEVER make adjustments on machinery while the unit is connected to the power source. Turning over the machinery by hand during adjustment or cleaning might start the machinery, causing serious injury to the operator.
3. Know how to stop and bleed pressures quickly. Be thoroughly familiar with controls.
4. Before servicing the unit, turn unit off, relieve the water pressure and allow the unit to cool down. Do not make repairs while the unit is running. Service in a clean, dry, flat area. Block the wheels to prevent the unit from moving. Be especially careful to properly dispose of any flammable materials.
5. After testing the machine, DO NOT leave the pressurized unit unattended. Shut off the unit and release trapped pressure before leaving.

TABLE OF CONTENTS

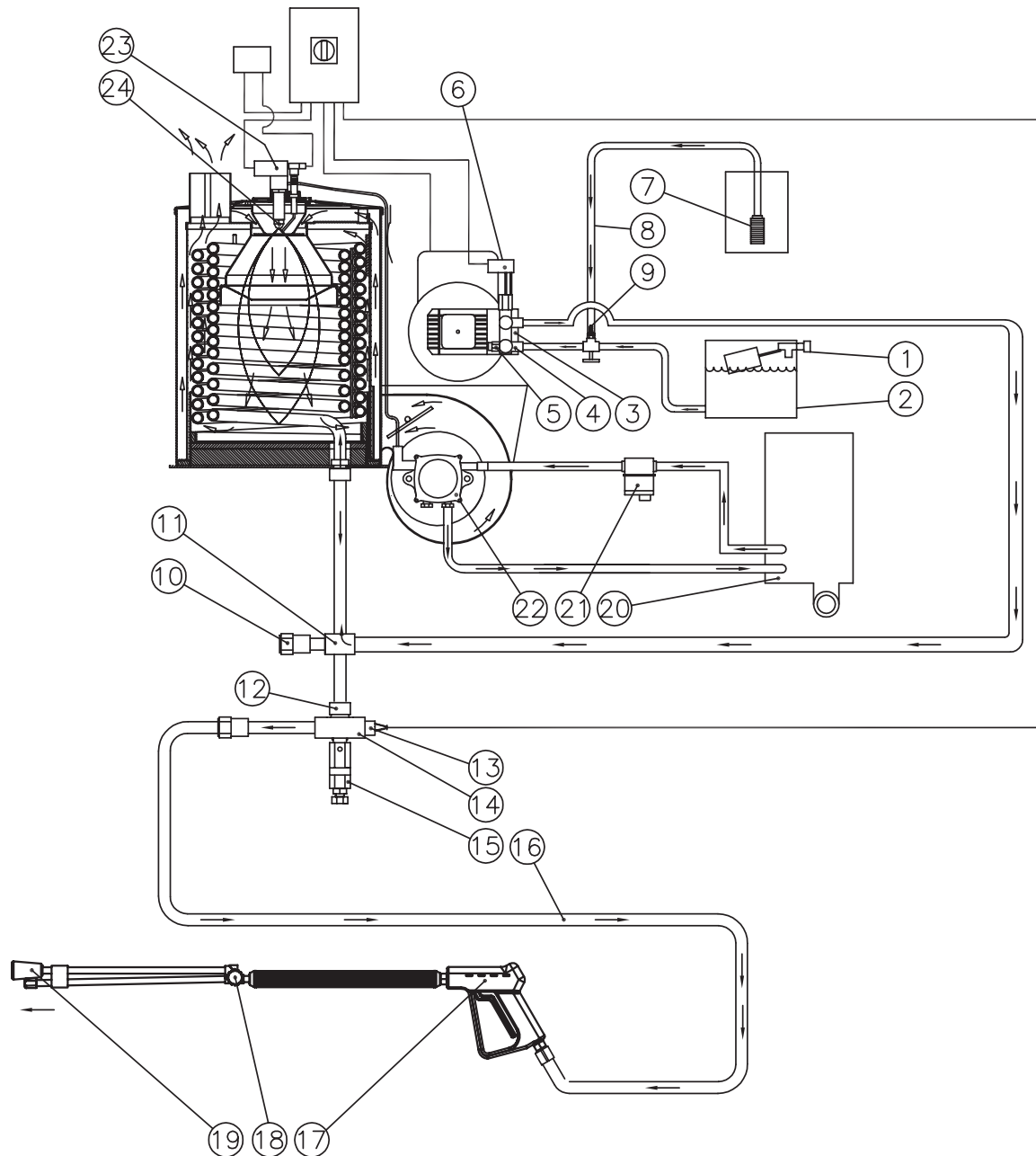
SPECIFICATIONS.....	4
NOTES.....	5
FLOW CHART.....	6
GENERAL THEORY OF OPERATION.....	7
DECAL PLACEMENT.....	8
FRAME ASSEMBLY.....	10
MOTOR/PUMP ASSEMBLY.....	12
FLOAT TANK ASSEMBLY.....	14
PUMP ASSEMBLY (3-0071 & 3-0168).....	16
UNLOADER (8-0470).....	18
PRESSURE SWITCH (22-0171).....	20
COIL DRAIN PLUG (850-0218).....	21
HEAT EXCHANGER/BLOWER MOTOR.....	22
BOILER ASSEMBLY.....	24
GUN / WAND / HOSE ASSEMBLY.....	26
DUAL LANCE ASSEMBLY (16-0416).....	28
FUEL TANK.....	30
FUEL PUMP (3-0020).....	31
FUEL SOLENOID (44-0101).....	31
ELECTRIC BOX ASSEMBLY FOR 1002/1502.....	32
ELECTRIC BOX ASSEMBLY FOR 2003.....	34
WIRE SCHEMATIC FOR 1002/1502.....	36
WIRE DIAGRAM FOR 1002/1502.....	37
WIRE SCHEMATIC FOR 2003.....	38
WIRE DIAGRAM FOR 2003.....	39
ACCESSORIES.....	41
OPTION- STEAM PLUMBING (HX-0232 / HX-0240).....	42
OPTION- ADJUSTABLE THERMOSTAT (HX-0233 AND HX-0235).....	44
OPTION- CONTROL PANEL (HX-0237, HX-0238, HX-0243, HX-0244).....	46
OPTION- ELECTRIC PANEL.....	48
OPTION- AUTO START / STOP PLUMBING.....	50
WIRE SCHEMATIC TIME DELAY SHUTDOWN (1002 AND 1502).....	52
WIRE DIAGRAM TIME DELAY SHUTDOWN (1002 AND 1502).....	53
WIRE SCHEMATIC TIME DELAY SHUTDOWN (2003).....	54
WIRE DIAGRAM TIME DELAY SHUTDOWN (2003).....	55
WIRE SCHEMATIC AUTO START STOP (1002 AND 1502).....	56
WIRE DIAGRAM AUTO START STOP (1002 AND 1502).....	57
WIRE SCHEMATIC AUTO START STOP (2003).....	58
WIRE DIAGRAM AUTO START STOP (2003).....	59
WIRE SCHEMATIC TIME DELAY AND STEAM (1002 AND 1502).....	60
WIRE DIAGRAM TIME DELAY AND STEAM (1002 AND 1502).....	61
WIRE SCHEMATIC TIME DELAY AND STEAM (2003).....	62
WIRE DIAGRAM TIME DELAY AND STEAM (2003).....	63
WIRE SCHEMATIC AUTO START / STOP AND STEAM (1002 AND 1502).....	64
WIRE DIAGRAM AUTO START / STOP AND STEAM (1002 AND 1502).....	65
WIRE SCHEMATIC AUTO START / STOP AND STEAM (2003).....	66
WIRE DIAGRAM AUTO START / STOP AND STEAM (2003).....	67

SPECIFICATIONS

Operating Pressure (PSI/Bar):	1000/70 (+/- 5%)	1500/103 (+/- 5%)	2000/138 (+/- 5%)
Water Volume (GPM/lpm):	2.0/ 7.6 (+/- 5%)		2.8/ 10.6 (+/- 5%)
Outlet Water Temperature (F/C)	140°F / 60°C (+/- 10°F) rise above inlet ambient (210°F / 99°C maximum)		
Motor:	TEFC		
Horsepower	1.5	2.0	4.0
Phase	Single		
Voltage	120		240
Amperage	12.1	17.0	16.0
High Pressure Pump:	Direct Driven, Oil Bath, Triplex Piston		
Oil Type	Pump Oil #AW-4085-0016		
Oil Capacity (oz. / liter)	11.2 / 0.33		
Plungers	Ceramic		
Manifold	Forged Brass		
Valves	Stainless Steel		
Unloader	Preset		
Heat Dump Valve	Relieves heated water during unloader bypass stage		
Detergent Injector:	Adjustable High Pressure		
Burner Fuel System:			
Fuel Type	No. 1 or No. 2 Fuel Oil, Diesel or Kerosene		
Fuel Capacity (Gal./liters)	4.46 / 16.9		
Fuel Filter/ Water Separator	Spin On (10 Micron) Filter / E-Z Water Drain		
Fuel Pump	Two Line, Single Stage		
Fuel Pressure (PSI / BAR)	145 / 10		
Fuel Nozzle	1.10 60° B Delavan	1.00 60° B Delavan	1.25 60° B Delavan
Fuel Consumption (GPH / LPH)	1.33 / 5.0 Cont. Burner	1.21 / 4.58 Cont. Burner	1.48 / 5.54 Cont. Burner
Voltage	120		240
Amps	1.6		0.9
Heat Exchanger:	Vertical, Top Fired, Dual Spiral Coil		
BTU Input	186,000	169,000	207,000
Efficiency	86% with #2 Fuel Oil / Diesel		
Smoke Density	0-3 per ASTM D2156		
Controls:			
On/ Off Switch	Industrial grade cam switch		
Pressure Switch	Shuts off burner fuel supply upon trigger release		
High Limit Switch	Shuts off burner fuel supply when outlet water temp. exceeds 210°F / 99°C		
Fuel Solenoid:	120 Volt		240 Volt
Safety Relief:	Relieves excess system pressure		
Unit Net Weight (Lbs/Kg)	295 / 134	299 / 136	316 / 143
Unit Shipping Weight (Lbs/Kg)	418 / 190	422 / 191	439 / 199
Unit Net Dimensions (In/Cm)	43L x 29.5W x 36.5H / 109.5L x 75W x 93H		
Unit Shipping Dimensions (In/Cm)	46.5L x 31.5W x 48.5H / 118L x 80W x 123H		

NOTES

FLOW CHART



HSE WATER/FUEL FLOW DIAGRAM

GENERAL THEORY OF OPERATION

WATER FLOW: Connect a pressurized water source to the INLET GARDEN HOSE CONNECTION (1) and turn on the water supply. The water will flow into the FLOAT TANK (2).

The water then travels into the TRIPLEX HIGH PRESSURE PUMP (3) which has an UNLOADER (4) that bypasses the water when the trigger gun is closed. To protect the pump from heated water during this bypass stage, a HEAT DUMP VALVE (5) will open at 140°F/60°C allowing the heated water to escape. The Heat Dump Valve automatically resets when the water cools. The PRESSURE SWITCH (6) controls the fuel supply to the burner.

When using detergents, the solution passes through the DETERGENT STRAINER (7) located on the DETERGENT HOSE (8). The detergent solution then travels into the ADJUSTABLE LOW PRESSURE DETERGENT INJECTOR (9).

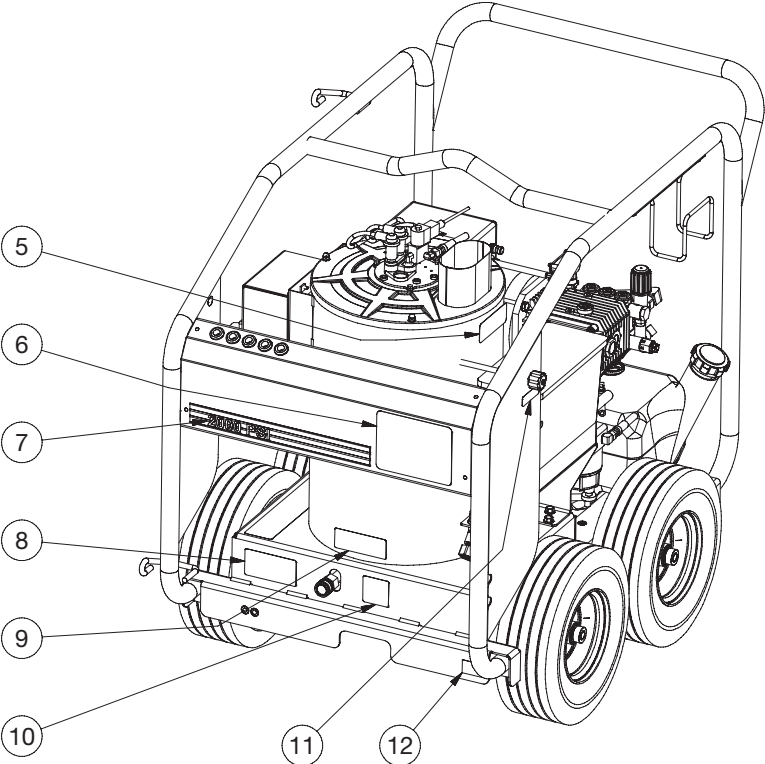
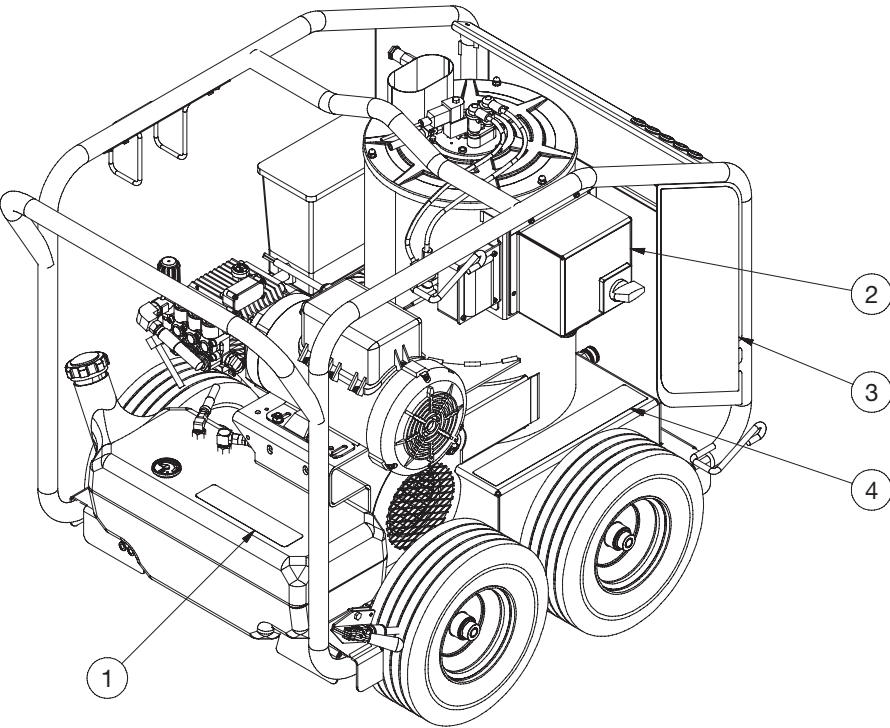
From there, the water may be allowed to flow out of the DRAIN PLUG (10) or through the HEAT EXCHANGER INLET (11) where it is heated when the burner is on. As the water exits the HEAT EXCHANGER OUTLET (12), it enters a safety system which protects the operator from danger. The safety system contains a HIGH TEMPERATURE LIMIT SWITCH (13) which senses the water temperature and shuts off the fuel supply to the burner if it gets too hot. If the unloader fails to by pass the water or the burner remains on when the trigger gun is closed, the SAFETY RELIEF (15) will relieve and allow water to exit safely.

The heated water then flows through the HIGH PRESSURE HOSE (16) and to the TRIGGER GUN ASSEMBLY (17) which allows the operator to control the water spray. When the trigger gun is open, the water flows through the ADJUSTABLE PRESSURE DUAL LANCE (18) and exits the NOZZLE (19).

FUEL FLOW: The Fuel Pump draws fuel from the FUEL TANK (20) through a replaceable FUEL FILTER/WATER SEPARATOR (21) and into the FUEL PUMP (22). Fuel exits the fuel pump, into a FUEL SOLENOID VALVE (23) which controls fuel flow to the FUEL NOZZLE (24) where it ignites and burns in the heat exchanger.

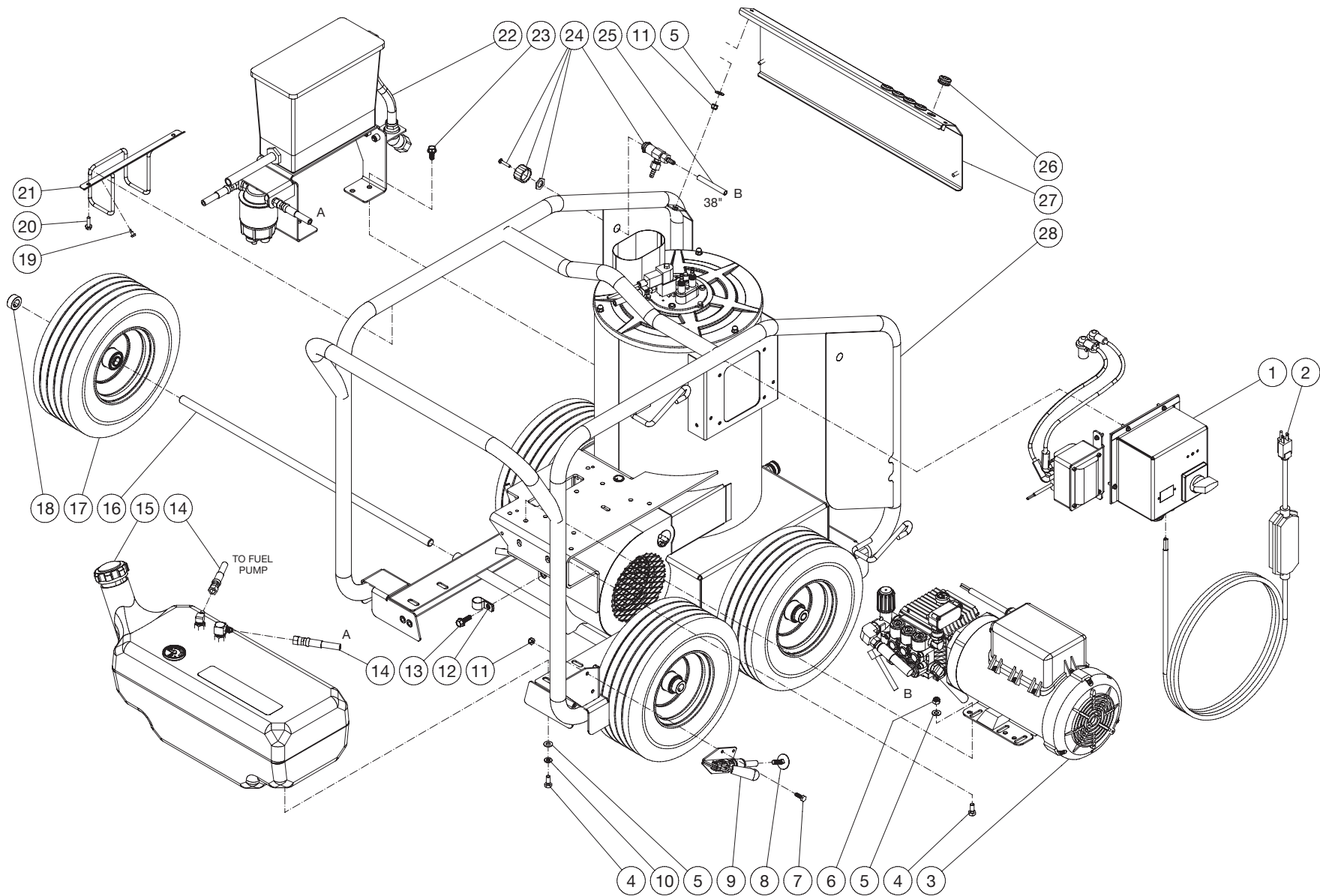
DECAL PLACEMENT

HSE_DH SMALL - DECAL PLACEMENT_FLOAT TANK_DEALER EXCLUSIVE 072717 JJR



DH SMALL - DECAL PLACEMENT_FLOAT TANK_DEALER EXCLUSIVE 072717 JJR			
DECAL PLACEMENT			
1	DECAL - CAUTION: RISK OF FIRE (SEE 71-0058)	N/A	1
2	DECAL- SM ELECTRIC BOX COVER	N/A	1
3	DECAL - OPERATIONS (SEE 71-0058)	N/A	1
4	DECAL - CAUTION: RISK OF INJURY (SEE 71-0058)	N/A	1
5	DECAL - HOT SURFACES (SEE 71-0058)	N/A	1
6	DECAL - LOGO	N/A	1
7	DECAL - 14" STRIPE	N/A	1
8	DECAL- SILVER STICKER	N/A	1
9	DECAL - WARNING: RISK OF EXPLOSION (SEE 71-0058)	N/A	1
10	DECAL - COIL DRAIN (SEE 71-0058)	N/A	1
11	DECAL - CHEMICAL VALVE (SEE 71-0058)	N/A	1
12	DECAL - MADE IN USA	34-3553	1
-	DECAL SET	71-0058	1

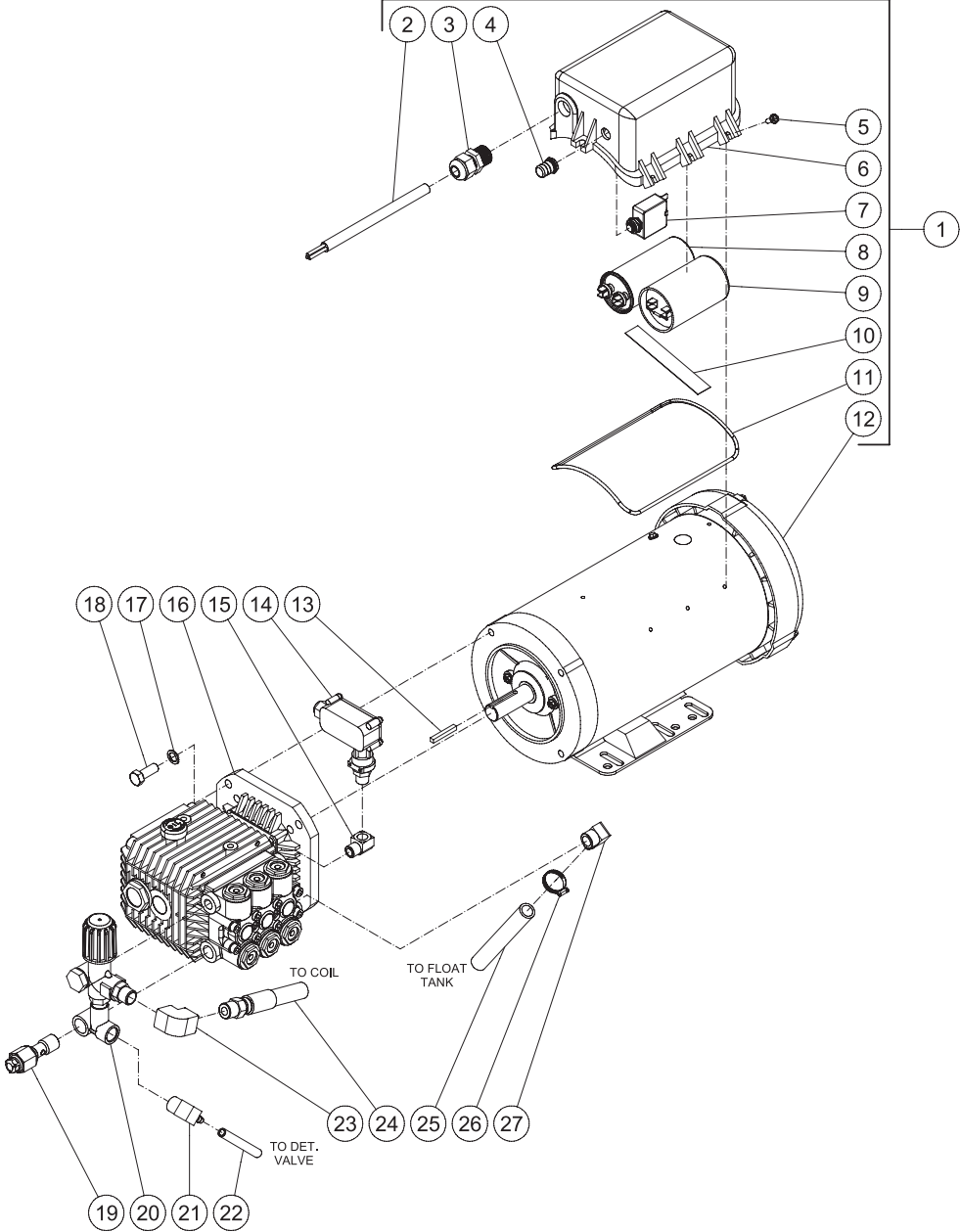
FRAME ASSEMBLY



SMALL - UNIT ASSEMBLY_FLOAT TANK 072717 JJR

SMALL UNIT ASSEMBLY FLOAT TANK 072717 JJR			
UNIT ASSEMBLY			
ITEM	DESCRIPTION	PART #	QTY
1	ELECTRIC BOX ASSEMBLY	N/A	1
2	ELECTRIC CORD W/ GFCI (1002)	32-0268	1
-	ELECTRIC CORD W/ GFCI - 120V / 20A (1502)	32-0215	1
-	ELECTRIC CORD W/ GFCI - 240V / 20A (2003)	32-0333	1
3	MOTOR/PUMP ASSEMBLY	N/A	1
4	BOLT	27-0066	8
5	WASHER	28-0003	12
6	LOCKNUT	30-0157	4
7	BOLT	27-0015	2
8	BOLT	27-9550	1
9	PUSH/PULL TOGGLE CLAMP	33-0400	1
10	LOCKWASHER	29-0007	4
11	LOCKNUT	30-0155	6
12	HOSE CLIP	42-0052	1
13	BOLT	27-1201	1
14	FUEL HOSE	15-0147	2
15	FUEL TANK ASSEMBLY	N/A	1
16	AXLE	20-1315	2
17	WHEEL	14-0127	4
18	COLLAR	33-0351	4
19	BOLT	27-3062	2
20	BOLT	27-9527	2
21	CORD HANGER	13-0219A01	1
22	FLOAT TANK ASSEMBLY	N/A	1
23	BOLT	27-1202	4
24	DETERGENT VALVE	22-0226	1
25	HOSE *(FOUR FEET REQUIRED)	15-0021	1
26	GROMMET	33-0001	5
27	FRONT PANEL	20-1303A01	1
28	HEAT EXCHANGER/BLOWER MOTOR ASSEMBLY	N/A	1
*MUST ORDER IN ONE FOOT LENGTHS			

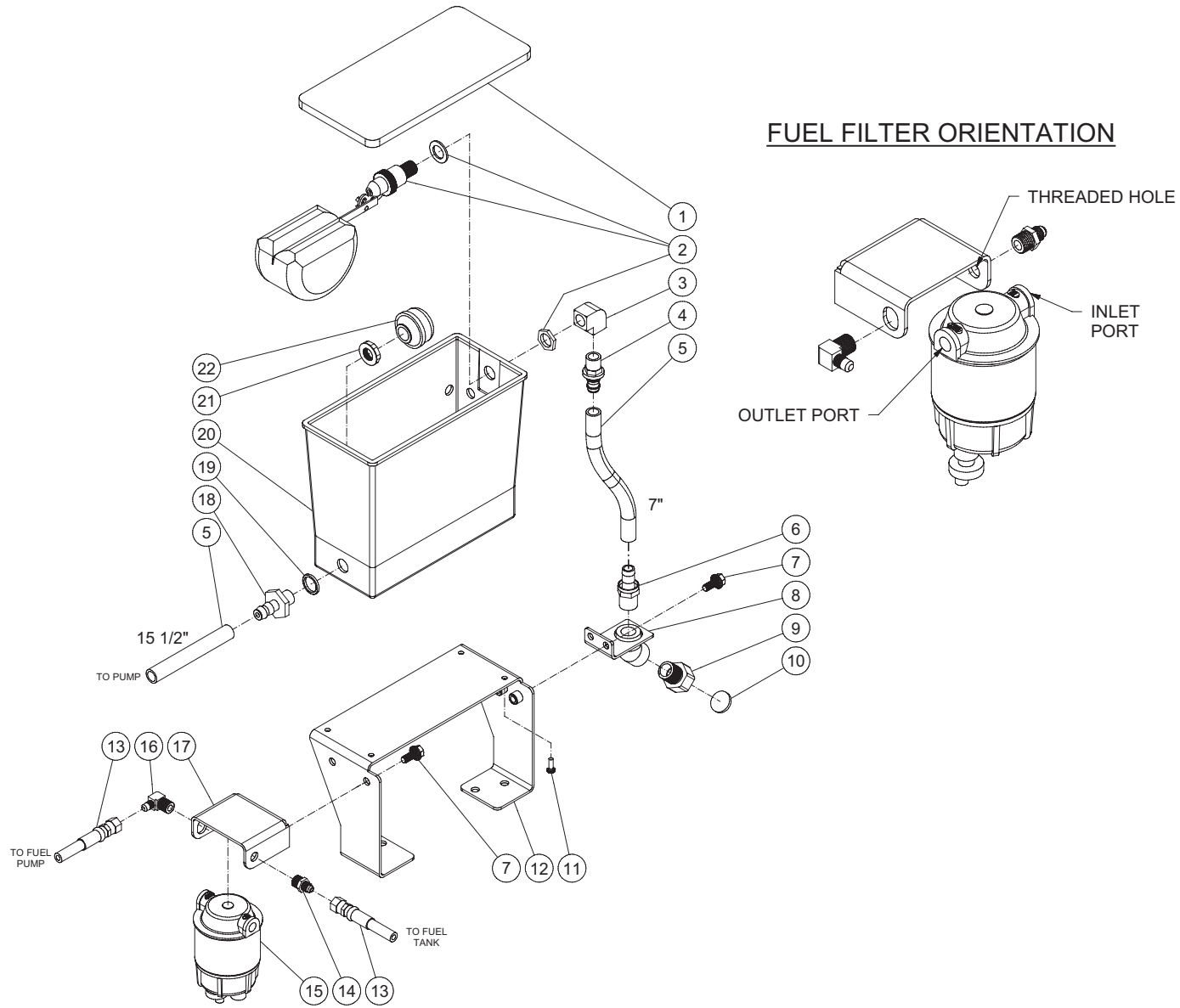
MOTOR/PUMP ASSEMBLY



SMALL-MOTOR PUMP ASSY (GEN) 110112 CH

SMALL- MOTOR PUMP ASS (GEN) 110112 CH			
MOTOR PUMP ASSEMBLY			
ITEM	DESCRIPTION	PART #	QTY
1	MOTOR ASSEMBLY - 1.5HP (INC 2-12) (1002)	850-0213	1
-	MOTOR ASSEMBLY - 2.0HP (INC 2-12) (1502)	850-0215	1
-	MOTOR ASSEMBLY - 4.0HP (INC 2-12) (2003)	850-0216	1
2	CORD *(TWO FEET REQUIRED)	32-0440	1
3	STRAIN RELIEF	32-0437	1
4	CIRCUIT BREAKER BOOT	32-0441	1
5	BOLT	27-8389	8
6	MOTOR CAPACITOR BOX	52-0041A01	1
7	CIRCUIT BREAKER - 25A (1502, 2003)	32-0439	1
-	CIRCUIT BREAKER - 20A (1002)	32-0438	1
8	CAPACITER - RUN (2003)	32-0450	1
-	CAPACITER - RUN (1002 1502)	32-0413	1
9	CAPACITER - START (2003)	32-0449	1
-	CAPACITER - START (1502)	32-0412	1
-	CAPACITER - START (1002)	32-0411	1
10	STRAP	52-0042	1
11	O-RING	25-0338	1
12	MOTOR 4.0HP (2003)	N/A	1
-	MOTOR 2.0 HP (1502)	N/A	1
-	MOTOR 1.5 HP (1002)	N/A	1
13	KEY	43-0072	1
14	PRESSURE SWITCH	22-0171	1
15	ELBOW	23-0014	1
16	PUMP (2003)	3-0168	1
-	PUMP (1002, 1502)	3-0071	1
17	LOCKWASHER	29-0155	4
18	BOLT	27-0117	4
19	THERMAL RELIEF VALVE	22-0213	1
20	UNLOADER	8-0470	1
21	HOSE BARB	23-0139	1
22	HOSE *(FOUR FEET REQUIRED)	15-0021	1
23	ELBOW	23-0307	1
24	HIGH PRESSURE HOSE	15-0090	1
25	HOSE *(TWO FEET REQUIRED)	15-0007	1
26	HOSE CLAMP	42-0011	1
27	ELBOW	23-0050	1
*MUST ORDER IN ONE FOOT LENGTHS			

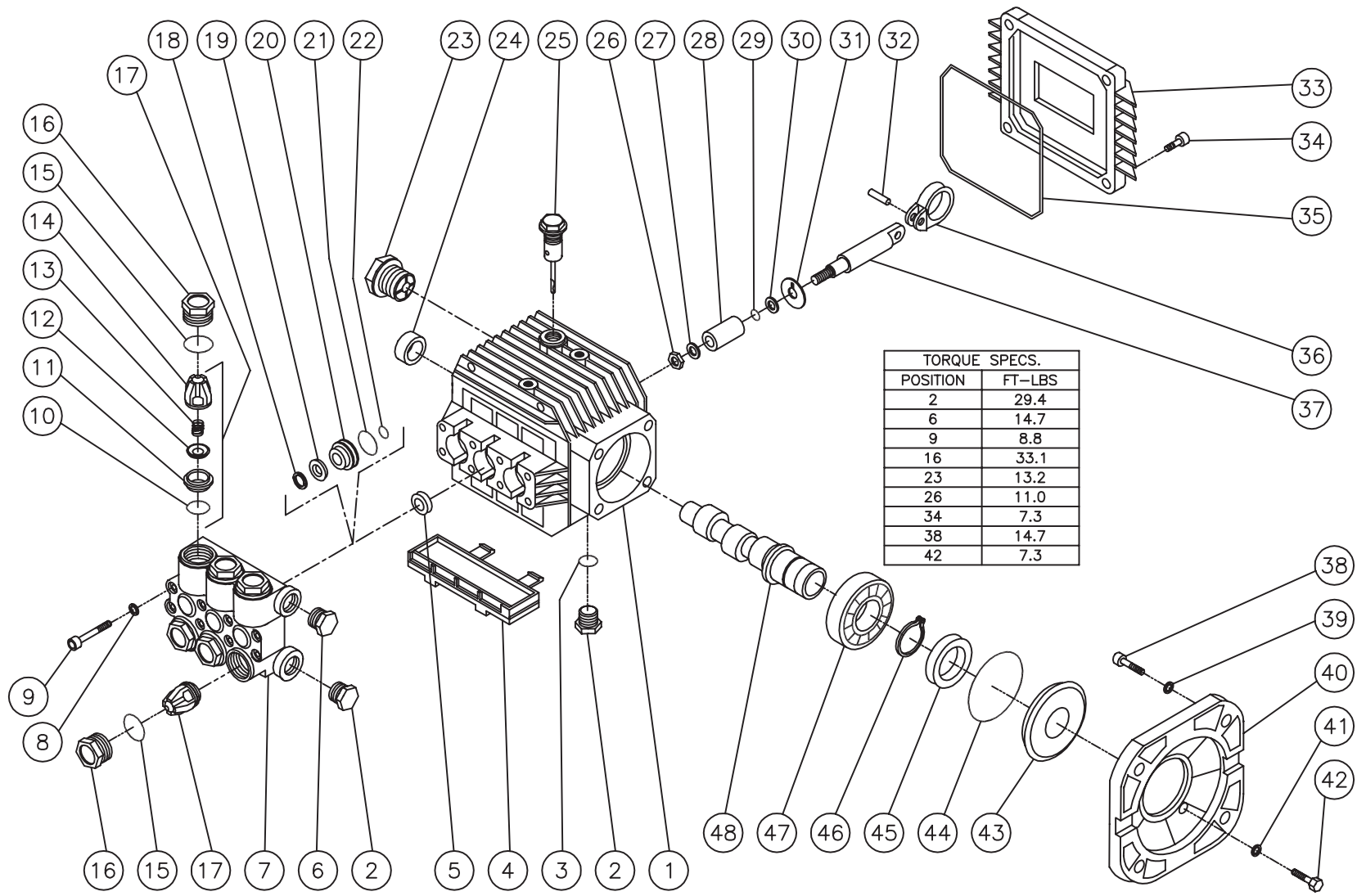
FLOAT TANK ASSEMBLY



SMALL - FLOAT TANK ASSY 082914 JDK

SMALL - FLOAT TANK ASSY 082914 JDK			
FLOAT TANK ASSEMBLY			
ITEM	DESCRIPTION	PART #	QTY
1	FLOAT TANK LID	62-0103	1
2	FLOAT VALVE	22-0129	1
3	ELBOW	23-0307	1
4	HOSE BARB	23-0140	1
5	HOSE *(TWO FEET REQUIRED)	15-0007	1
6	HOSE BARB	23-0005	1
7	BOLT	27-1202	4
8	BRACKET	20-0422A01	1
9	SWIVEL	23-0095	1
10	FILTER	19-0001	1
11	SCREW	27-2930	4
12	FLOAT TANK BRACKET	20-1304A01	1
13	FUEL HOSE	15-0147	2
14	NIPPLE	23-0247	1
15	FUEL FILTER / WATER SEPERATOR	19-0070	1
16	ELBOW	23-0237	1
17	FUEL FILTER BRACKET	20-1305A01	1
18	HOSE BARB (1002/1502)	23-0318	1
-	HOSE BARB	23-0322	1
19	O-RING	25-0427	1
20	FLOAT TANK	12-0055	1
21	NUT	23-0138	1
22	STRAINER	19-0273	1
*MUST ORDER IN ONE FOOT LENGTHS			

PUMP ASSEMBLY (3-0071 & 3-0168)



3-0071 & 3-0168 120312 CH

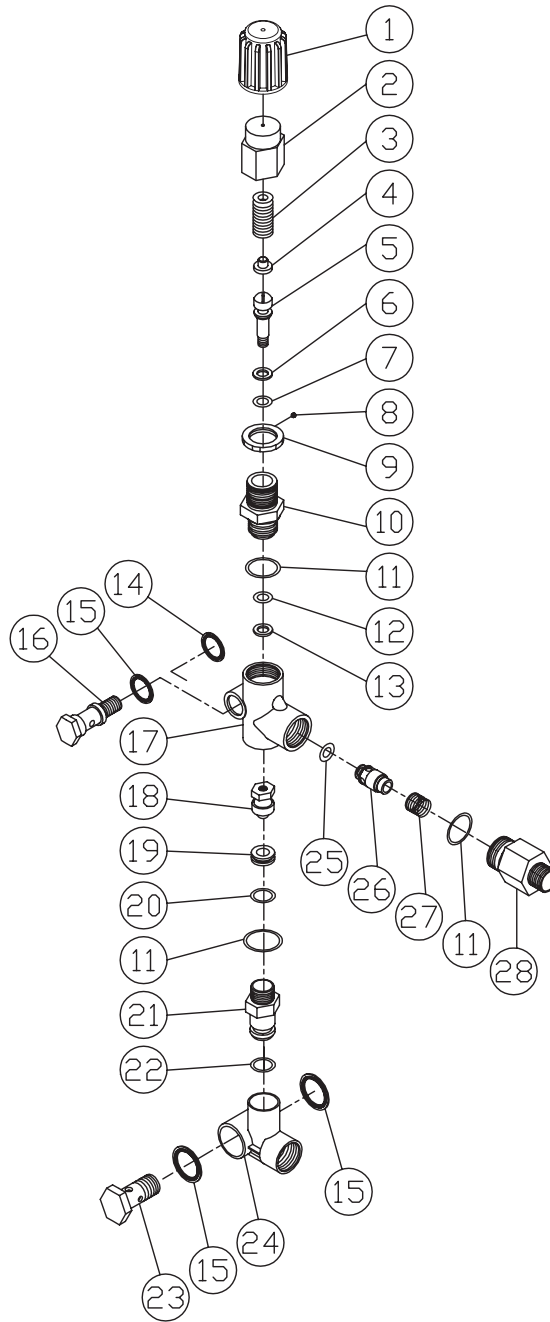
PUMP ASSEMBLY (3-0071 & 3-0168)

REF. #	DESCRIPTION	PART #	QTY.	REF. #	DESCRIPTION	PART #	QTY.
1	Crankcase	46-0221	1	26	Nut	46-0168	3
2	Plug	39-0018	2	27	Washer	46-0166	3
3	O-ring	25-0052	1	28	Plunger- Ceramic	46-0148	3
4	Drip Pan	46-0229	1	29	O-ring	25-0045	3
5	Oil Seal	26-0111	3	30	Back-up Ring	25-0143	3
6	Plug	39-0017	1	31	Washer	46-0167	3
7	Manifold- Brass	46-0163	1	32	Conecting Rod	43-0044	3
8	Lockwasher	29-0153	12	33	Crankcase Cover	46-0151	1
9	Bolt	27-8406	8	34	Bolt	27-8409	4
10	O-ring (See 70-0009)	See Kit	6	35	Cover O-ring	25-0332	1
11	Valve Seat (See 70-0009)	See Kit	6	36	Connecting Rod	46-0152	3
12	Valve Plate (See 70-0009)	See Kit	6	37	Piston Guide	46-0149	3
13	Valve Spring (See 70-0009)	See Kit	6	38	Bolt	27-0117	4
14	Valve Cage (See 70-0009)	See Kit	6	39	Lockwasher	29-0155	4
15	O-ring	25-0012	6	40	Flange	38-0032	1
16	Valve Plug	39-0035	6	41	Lockwasher	29-0153	4
17	Valve Assembly (See 70-0009)	See Kit	6	42	Bolt	27-8409	4
18	Head Ring (See 70-0024 and 70-0023)	See Kit	3	43	Bearing Spacer	46-0087	1
19	V-packing (See 70-0024 and 70-0023)	See Kit	3	44	O-ring	25-0060	1
20	V-packing Retainer (See 70-0023)	46-0158	3	45	Oil Seal	26-0126	1
21	O-ring (See 70-0024 and 70-0023)	25-0141	3	46	Snap Ring	46-0245	1
22	O-ring (See 70-0024 and 70-0023)	25-0128	3	47	Ball Bearing	48-0024	1
23	Oil Level Indicator	46-0114	1	48	Crankshaft (3-0071)	46-0277	1
24	Bearing	48-0019	1	-	Crankshaft (3-0168)	46-0233	1
25	Oil Dip Stick	46-0143	1				

REPLACEMENT KITS

KIT #	DESCRIPTION	ITEMS	# OF ASSEMBLIES	# OF CYLINDERS
70-0009	KIT - VALVES	10-14, 17	6	3
70-0024	KIT - V-PACKING	18, 19, 21, 22	3	3
70-0023	KIT - PACKING ASSEMBLY	18-22	1	1

UNLOADER (8-0470)



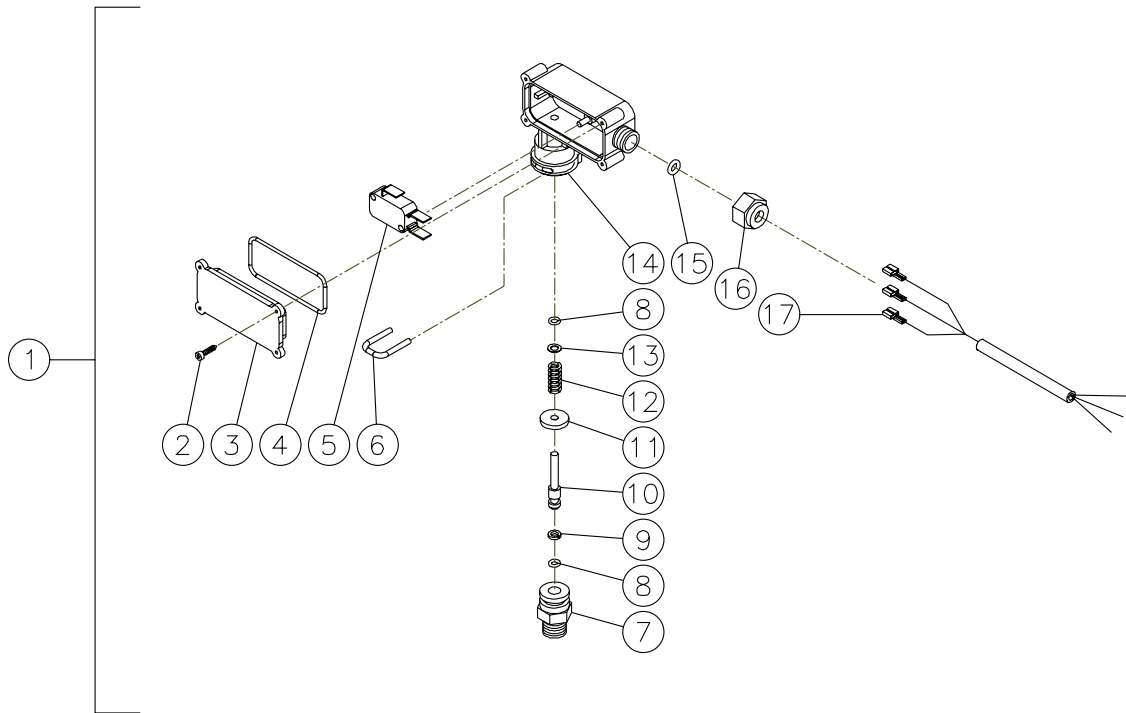
8-0470 011708 CH

UNLOADER (8-0470)

REF. #	DESCRIPTION	PART #	QTY.	REF. #	DESCRIPTION	PART #	QTY.
1	Adjusting Knob	N/A		16	Banjo Connector	23-0286	1
2	Adjusting Cap	39-0092	1	17	Body	N/A	1
3	Spring	49-0120	1	18	Valve/Ball Assembly	46-0320	1
4	Spring Retainer	8-0421	1	19	Bypass Seat	8-0430	1
5	Piston Stem	46-0324	1	20	O-ring	25-0202	1
6	Back-up Ring	25-0206	1	21	Bypass Fitting	N/A	1
7	O-ring	N/A	1	22	O-ring	25-0376	1
8	Set Screw	8-0479	1	23	Banjo Connector	23-0285	1
9	Locknut	46-0651	1	24	Bypass Banjo Fitting	N/A	1
10	Piston Retainer	8-0424	1	25	O-ring	25-0375	1
11	O-ring	N/A	3	26	Flow Balancer	8-0426	1
12	O-ring	N/A	1	27	Spring	49-0121	1
13	Back-up Ring	25-0203	1	28	Outlet Fitting	39-0091	1
14	Washer	8-0433	1		Unloader Complete (Includes 1-28)	8-0470	
15	Washer	8-0427	3				

PRESSURE SWITCH (22-0171)

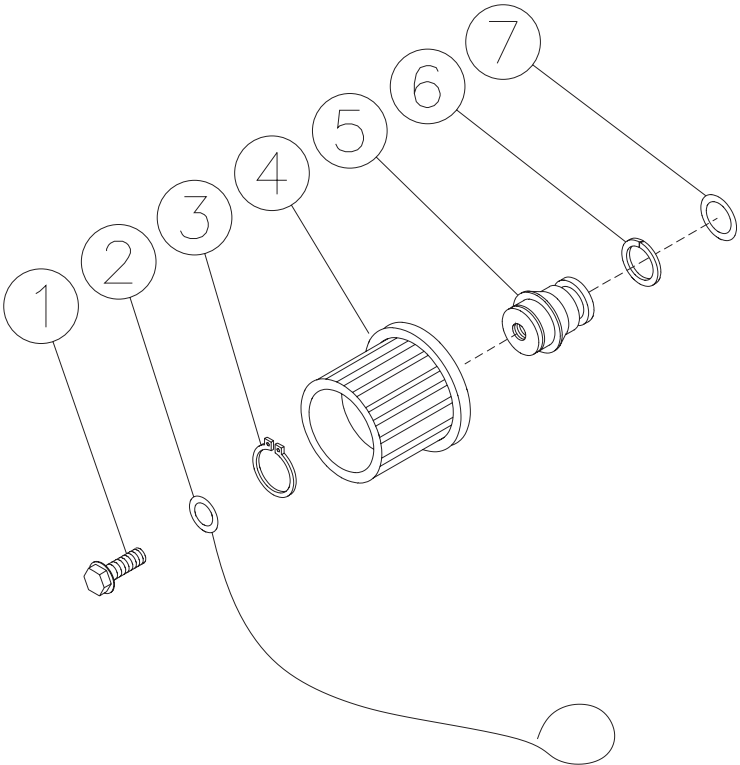
22-0171-120799-BAR



PRESSURE SWITCH (22-0171)			
REF. #	DESCRIPTION	PART #	QTY.
1	Pressure Switch	22-0171	1
2	Screw	N/A	4
3	Cover	N/A	1
4	O-ring (See 70-0306)	N/A Sep.	1
5	Micro Switch	N/A	1
6	Retainer Clip	N/A	1
7	Body	N/A	1
8	O-ring (See 70-0306)	N/A Sep.	2
9	Back-up Ring (See 70-0306)	N/A Sep.	1
10	Piston	N/A	1
11	Washer	N/A	1
12	Spring	49-0144	1
13	Washer	N/A	1
14	Plastic Housing	N/A	1
15	O-ring (See 70-0306)	N/A Sep.	1
16	Nut	N/A	1
17	Wire Assembly	N/A	1
	O-ring Repair Kit (Inc. 4, 8-9, 15)	70-0306	

22-0171&22-0243--120799-BAR

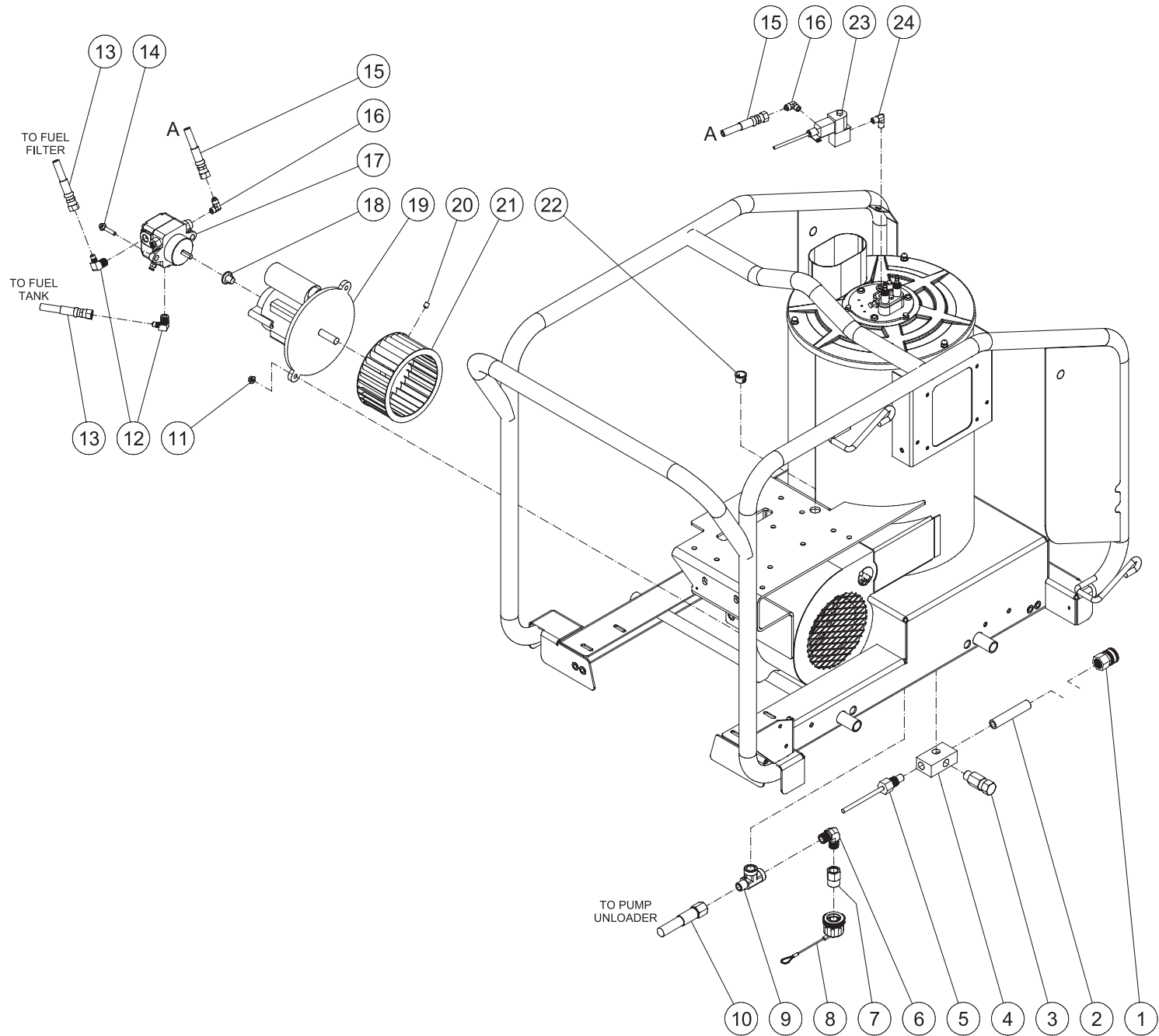
COIL DRAIN PLUG (850-0218)



850-0218-041597-BAR

COIL DRAIN PLUG (850-0218)			
REF. #	DESCRIPTION	PART #	QTY.
1	Bolt	27-9526	1
2	Retaining Cable	33-0260	1
3	Snap Ring	33-0261	1
4	Hand Wheel	16-0239	1
5	Plug	24-0147	1
6	Back-up Ring	25-0424	1
7	O-ring	25-0423	1

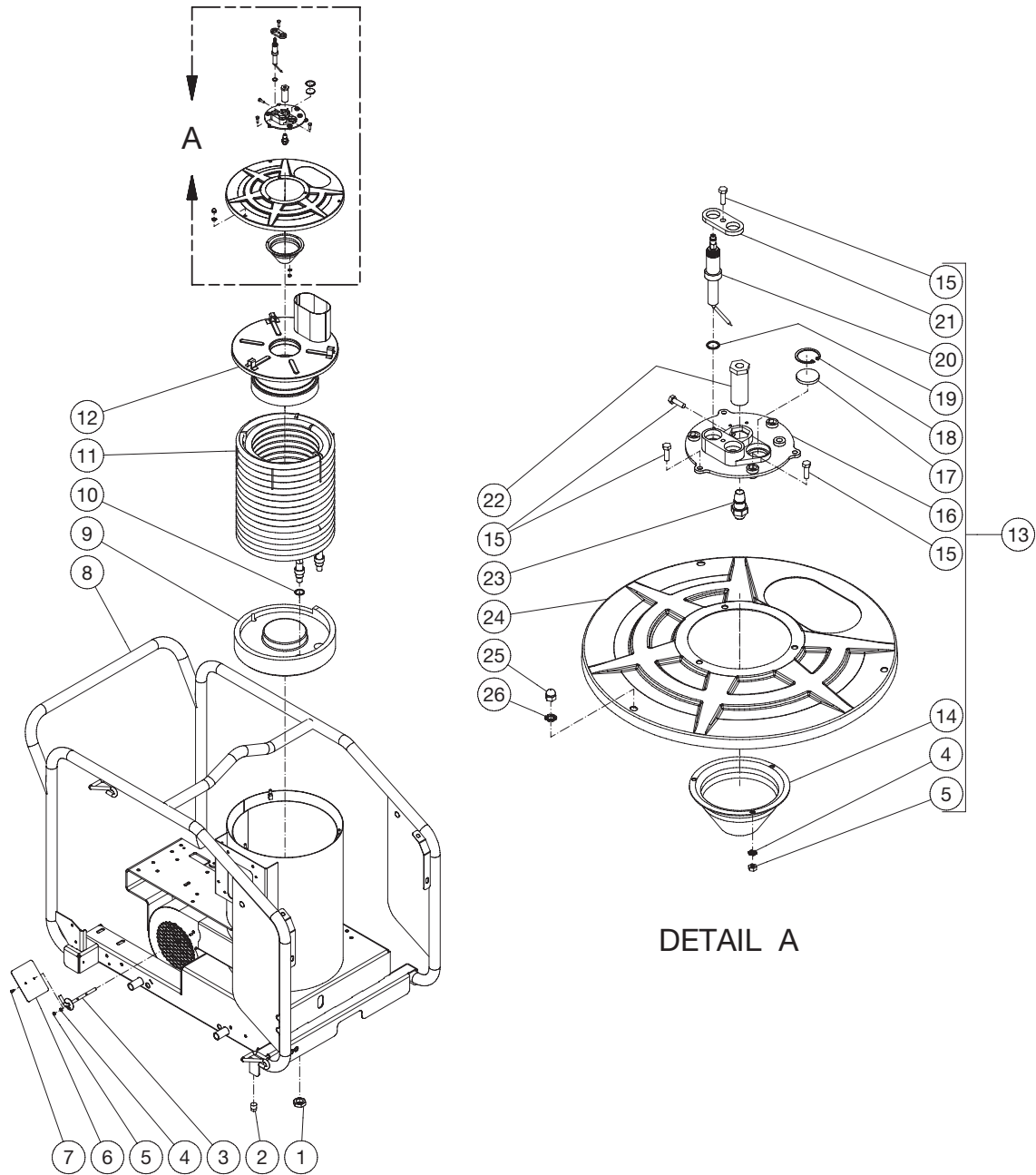
HEAT EXCHANGER/BLOWER MOTOR



SMALL-HEAT EXCHANGER BLOWER MOTOR ASSY 110112 CH

SMALL-HEAT EXCHANGER BLOWER MOTOR ASSY 012213 CH			
HEAT EXCHANGER / BLOWER MOTOR			
ITEM	DESCRIPTION	PART #	QTY
1	QC SOCKET	17-0004	1
2	PIPE NIPPLE	24-0165	1
3	PRESSURE RELIEF VALVE	22-0272	1
4	OUTLET CONNECTOR	24-0138	1
5	HI LIMIT SWITCH	32-0798	1
6	ELBOW	24-0131	1
7	ADAPTER	23-0279	1
8	DRAIN PLUG ASSEMBLY	850-0218	1
9	STREET TEE	23-0058	1
10	HIGH PRESSURE HOSE	15-0090	1
11	NUT	30-3022	2
12	ELBOW	23-0237	2
13	FUEL HOSE	15-0147	2
14	BOLT	27-8898	2
15	FUEL HOSE	15-0333	1
16	ELBOW	23-0287	2
17	FUEL PUMP	3-0020	1
18	COUPLER (W/ BLOWER MOTOR)	33-0265	1
19	BLOWER MOTOR (1002, 1502)	2-0085	1
-	BLOWER MOTOR (2003)	2-0086	1
20	SET SCREW (W/ BLOWER FAN)	30-3031	1
21	FAN/ BLOWER	44-0103	1
22	CORD BUSHING	32-0465	1
23	FUEL SOLENOID	44-0101	1
24	ELBOW	23-0249	1

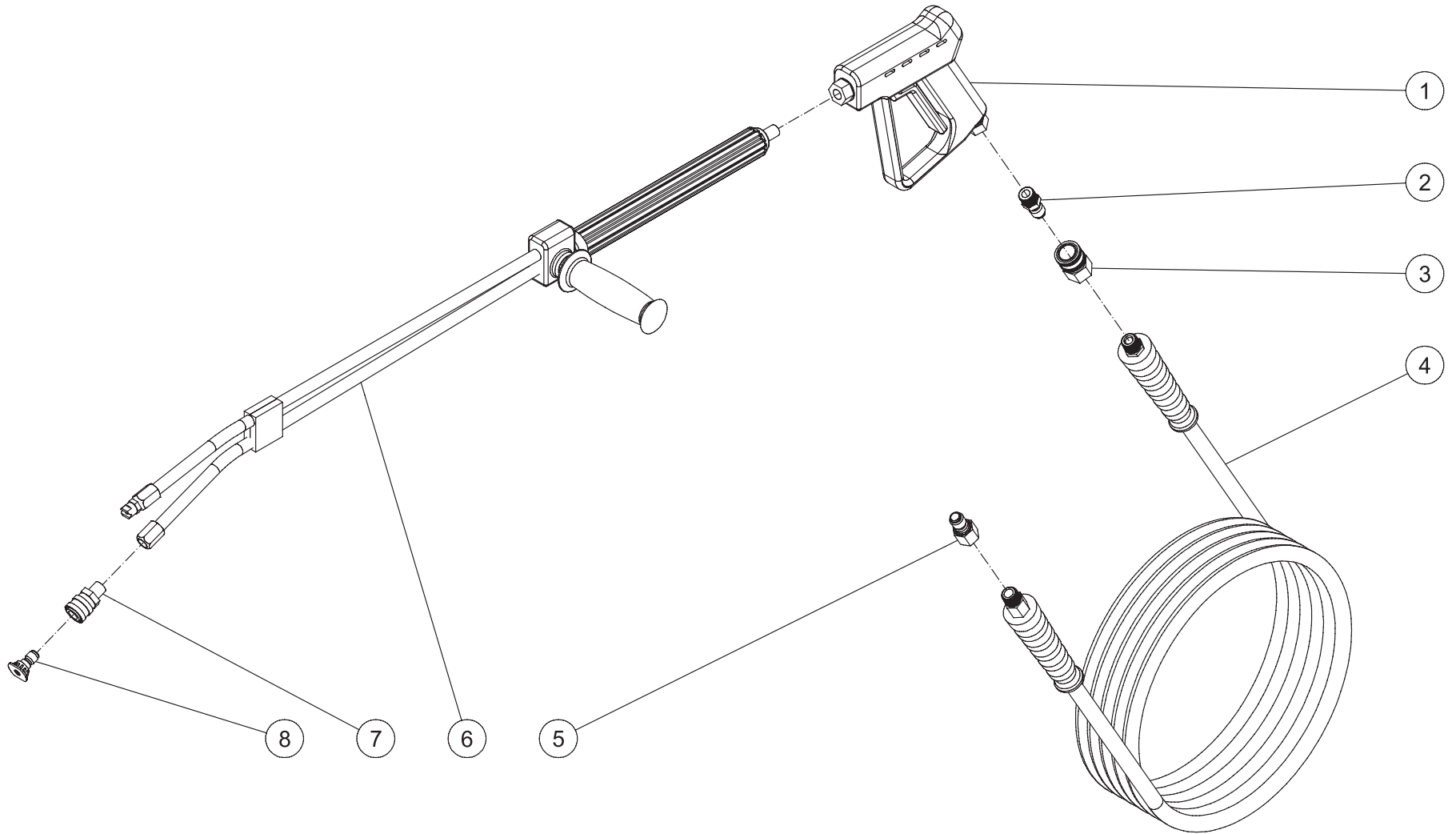
BOILER ASSEMBLY



SMALL - BOILER ASSY 072717 JJR

SMALL - BOILER ASSY 072717 JJR			
BOILER ASSEMBLY			
ITEM	DESCRIPTION	PART #	QTY
1	NUT	30-0121	2
2	PLUG	24-0034	1
3	AIR DIVERTER STEM	20-0377A01	1
4	STAR WASHER	28-1009	4
5	NUT	30-6001	4
6	AIR DIVERTER	20-0378A01	1
7	BOLT	27-8879	2
8	FRAME	5-0325A01	1
9	INSULATION	33-0267	1
10	WASHER	28-0521	2
11	HEAT EXCHANGER COIL	66-0009	1
12	EXHAUST CHIMNEY	20-1264	1
13	ELECTRODE ASSEMBLY (INC 5, 20-26)	850-0415	1
14	CONE	20-0373	1
15	BOLT	27-8878	8
16	ELECTRODE PLATE	38-0065	1
17	SIGHT GLASS	33-0252	1
18	SNAP RING	33-0254	1
19	WASHER	28-0523	2
20	ELECTRODE	32-0987	2
21	ELECTRODE BRACKET	20-1094A01	1
22	FUEL NOZZLE HOLDER	23-0292	1
23	FUEL NOZZLE (2003/2503)	18-0310	1
-	NOZZLE-FUEL (1502)	18-0321	1
-	NOZZLE-FUEL (1002)	18-0268	1
24	TOP PAN	20-1263	1
25	ACORN NUT	30-6002	3
26	LOCKWASHER	28-1028	3

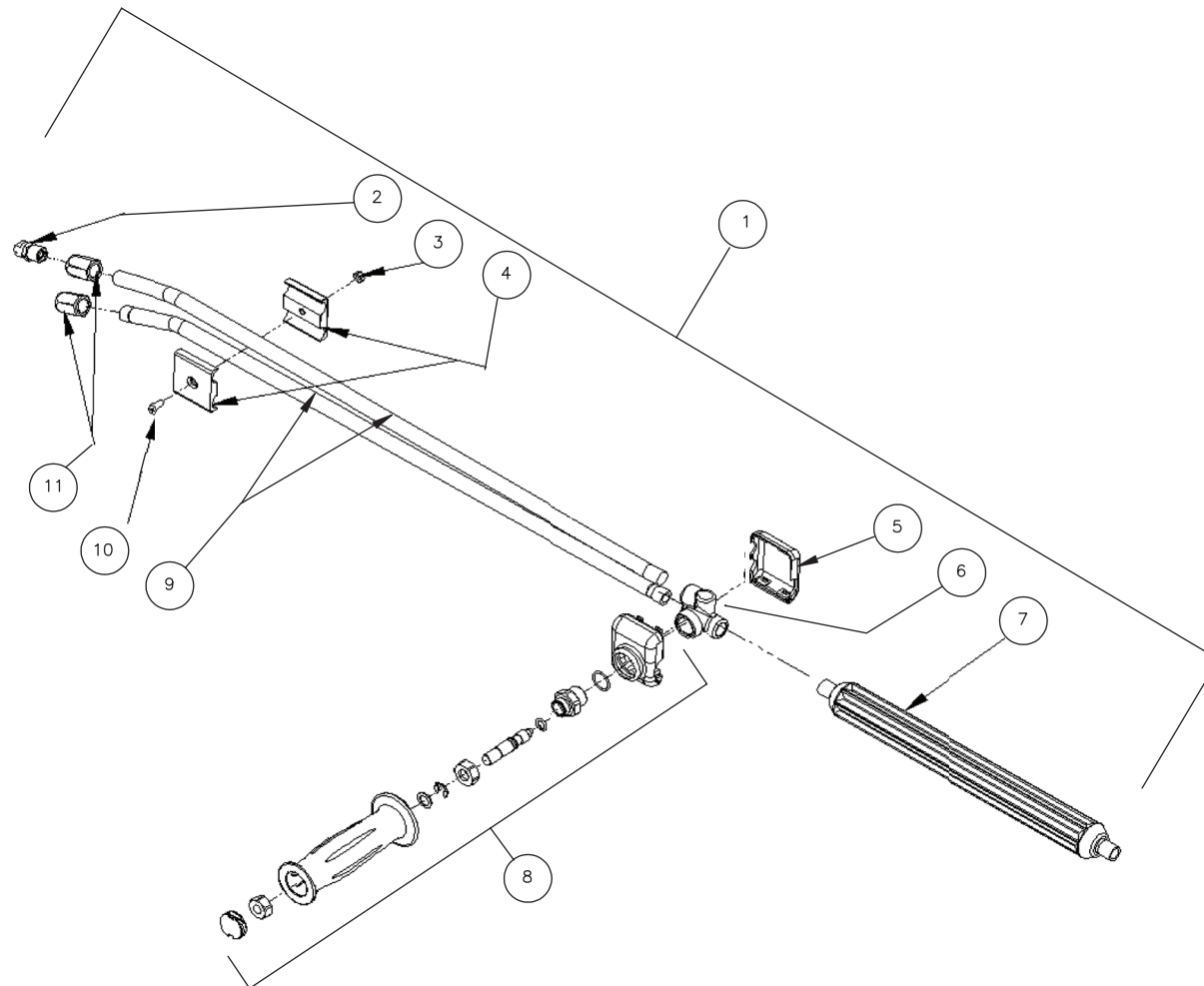
GUN / WAND / HOSE ASSEMBLY



SMALL - GUN_WAND_HOSE ASSY 012213 CH

SMALL-GUN-WAND-HOSE ASSY 012213 CH			
GUN / WAND / HOSE ASSEMBLY			
ITEM	DESCRIPTION	PART #	QTY
1	GUN	16-0001	1
2	QUICK CONNECT	17-0005	1
3	QC SOCKET	17-0004	1
4	HOSE	15-0146	1
5	QUICK CONNECT	17-0006	1
6	DUAL LANCE	16-0416	1
7	QC SOCKET	17-0028	1
8	NOZZLE 00040 (1002)	18-0397	1
-	NOZZLE 15040 (1002)	18-0399	1
-	NOZZLE 25040 (1002)	18-0400	1
-	NOZZLE 40040 (1002)	18-0401	1
-	NOZZLE 00030 (1502)	18-0387	1
-	NOZZLE 15030 (1502)	18-0388	1
-	NOZZLE 25030 (1502)	18-0390	1
-	NOZZLE 40030 (1502)	18-0391	1
-	NOZZLE 00035 (2003)	18-0392	1
-	NOZZLE 15035 (2003)	18-0393	1
-	NOZZLE 25035 (2003)	18-0395	1
-	NOZZLE 40035 (2003)	18-0396	1

DUAL LANCE ASSEMBLY (16-0416)

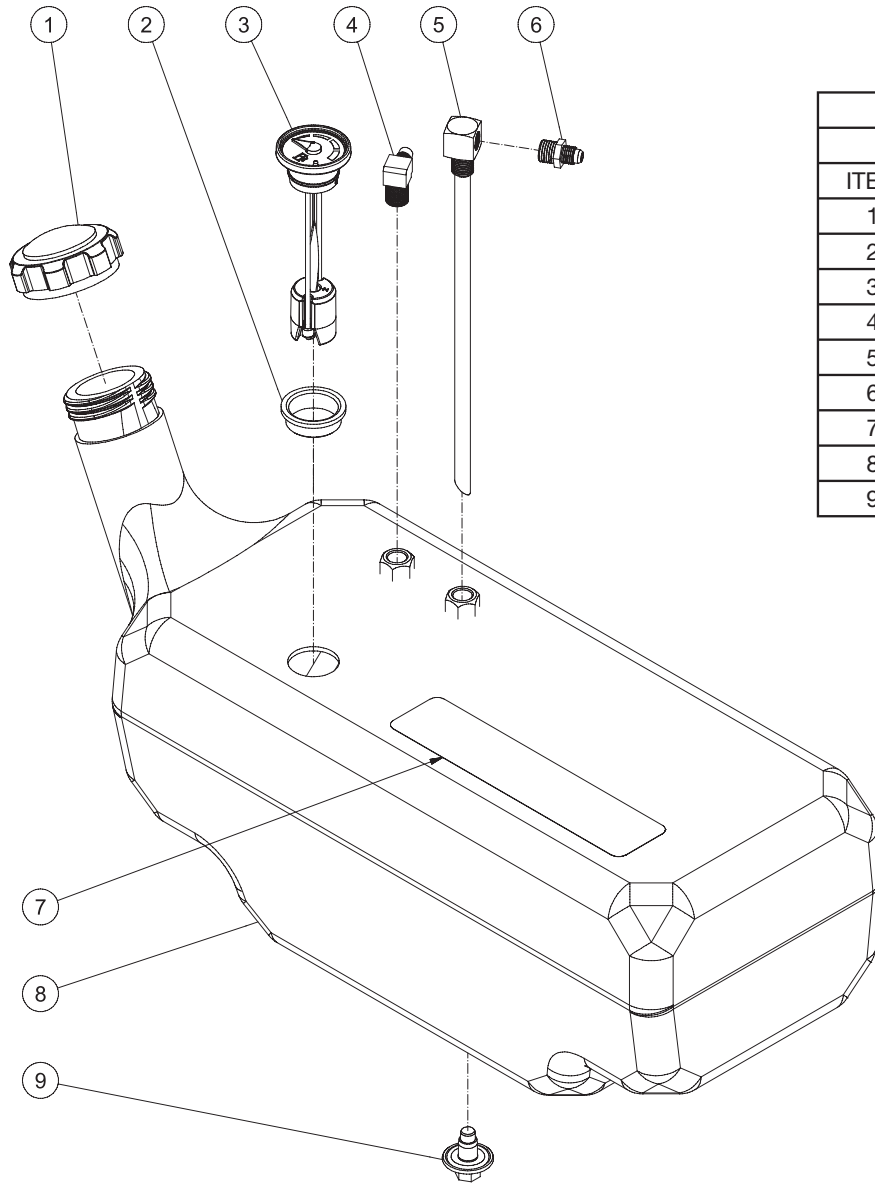


16-0416_16-0417-102405-RZ

16-0416-102405-RZ

DUAL LANCE ASSEMBLY (16-0416)			
REF. #	DESCRIPTION	PART #	QTY.
1	Dual Lance Assembly - 36" (Inc. 2-11)	16-0416	1
2	Detergent Nozzle	18-0110	1
3	Nut	30-6001	1
4	Clamp	16-0420	2
5	Lower Valve Cover (See 16-0416)	N/A Sep.	1
6	Housing (See 16-0416)	N/A Sep.	1
7	Lance	16-0419	1
8	Handle Repair Kit	70-0419	1
9	Lance (See 16-0416)	N/A Sep.	2
10	Screw	27-8196	1
11	Nozzle Adapter	24-0280	2

FUEL TANK

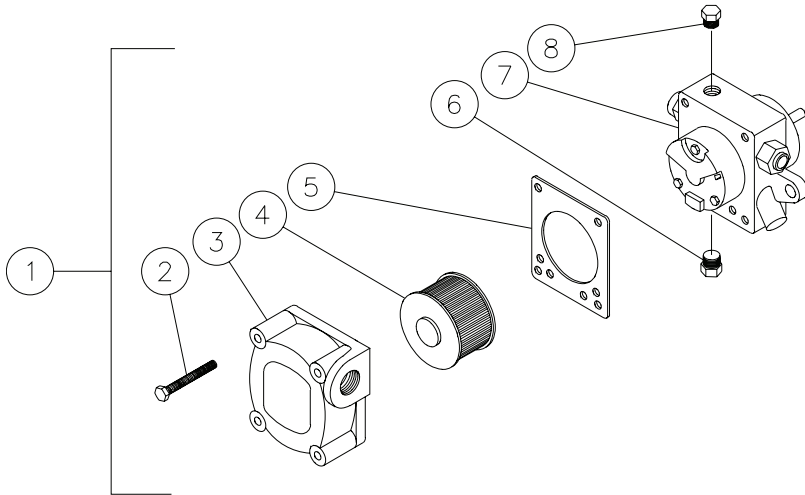


SMALL FUEL TANK ASSY 110512 CH			
FUEL TANK ASSEMBLY			
ITEM	DESCRIPTION	PART #	QTY
1	FUEL CAP	12-0033	1
2	FUEL GAUGE GROMMET	33-0255	1
3	FUEL GAUGE	22-0475	1
4	ELBOW	23-0237	1
5	FUEL PICK UP	33-0296	1
6	NIPPLE	23-0247	1
7	DECAL - CAUTION: RISK OF FIRE (SEE 71-0058)	N/A	1
8	FUEL TANK	12-0242	1
9	DRAIN PLUG	68-3204	1

SMALL FUEL TANK ASSY 110512 CH

FUEL PUMP (3-0020)

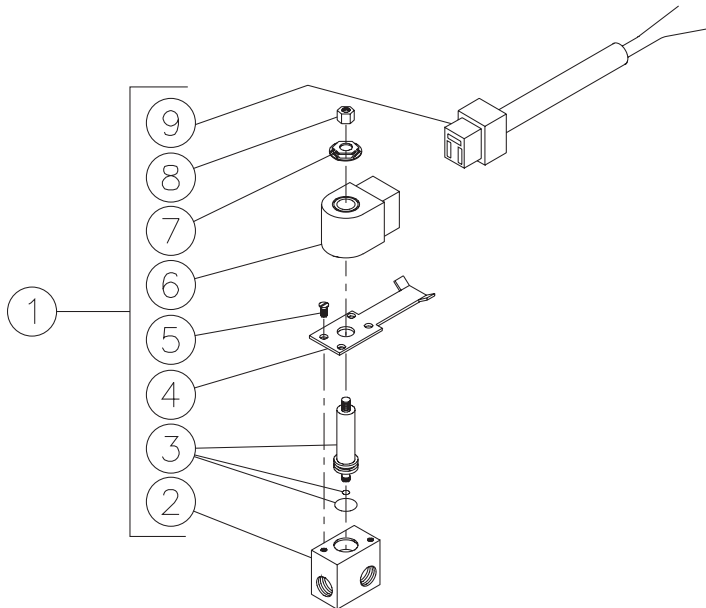
HSP018-3-0020-041597-BAR



FUEL PUMP (3-0020)			
REF. #	DESCRIPTION	PART #	QTY.
1	Fuel Pump Complete-Right Hand	3-0020	1
2	Cover Screw	46-1006	4
3	Cover-Right Hand	46-1005	1
4	Strainer	19-0034	1
5	Cover Gasket	26-0109	1
6	Plug	24-0044	2
7	Body	N/A	1
8	Plug	24-0082	1

FUEL SOLENOID (44-0101)

OMHSP013-44-0101-121698-BAR

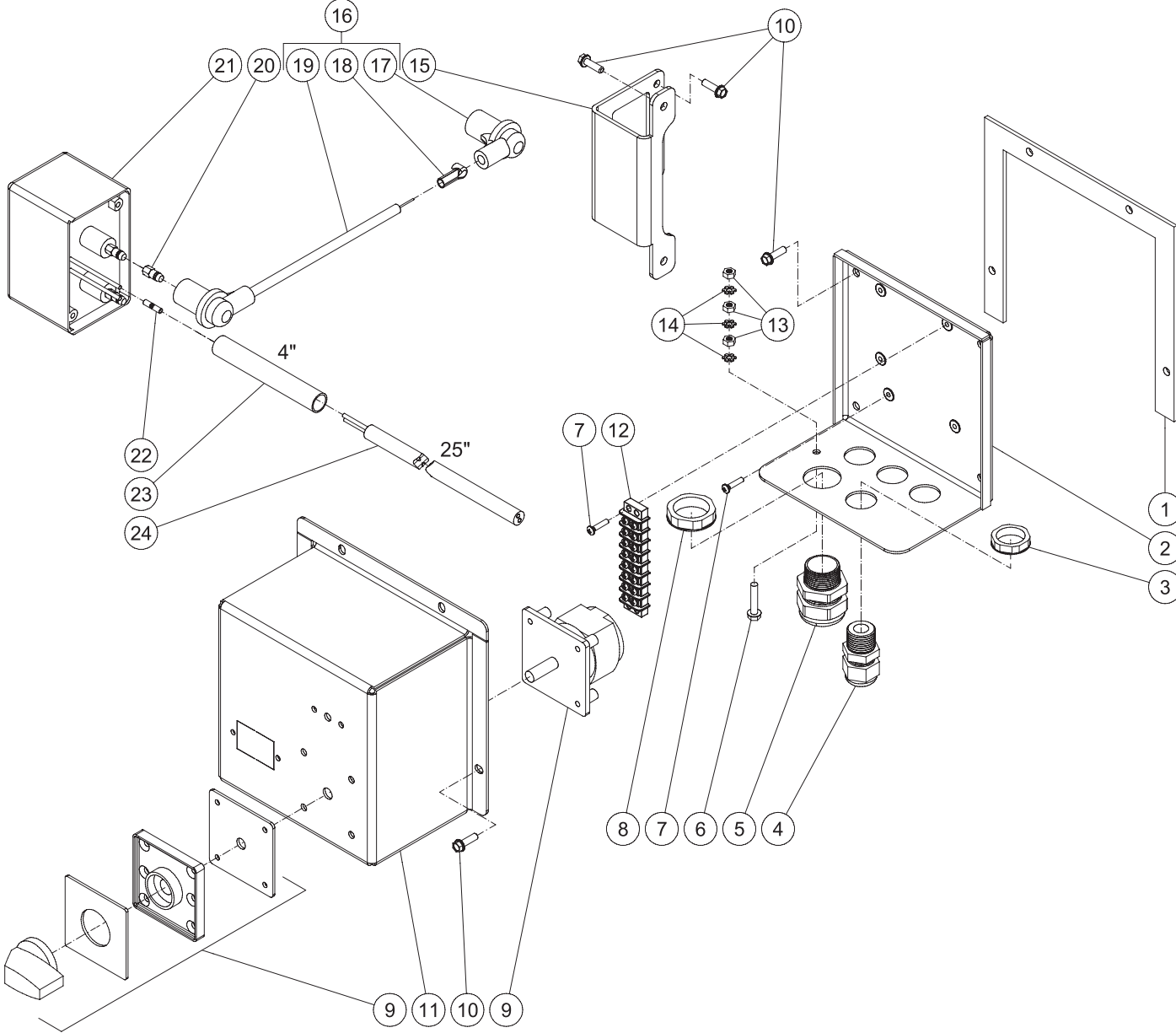


FUEL SOLENOID (44-0101)			
REF. #	DESCRIPTION	PART #	QTY.
1	Solenoid Complete-120V	44-0101	1
2	Solenoid Body	46-1013	1
3	Solenoid Piston	46-1012	1
4	Solenoid Base	46-1014	1
5	Screw (See 44-0101)	N/A Sep.	2
6	Solenoid Coil-120V	46-1020	1
7	Spring (See 44-0101)	N/A Sep.	1
8	Piston Nut	46-1016	1
9	Din Connector Cord	32-0443	1

OMHSP018-041597-BAR

OMHSP013-041597-BAR

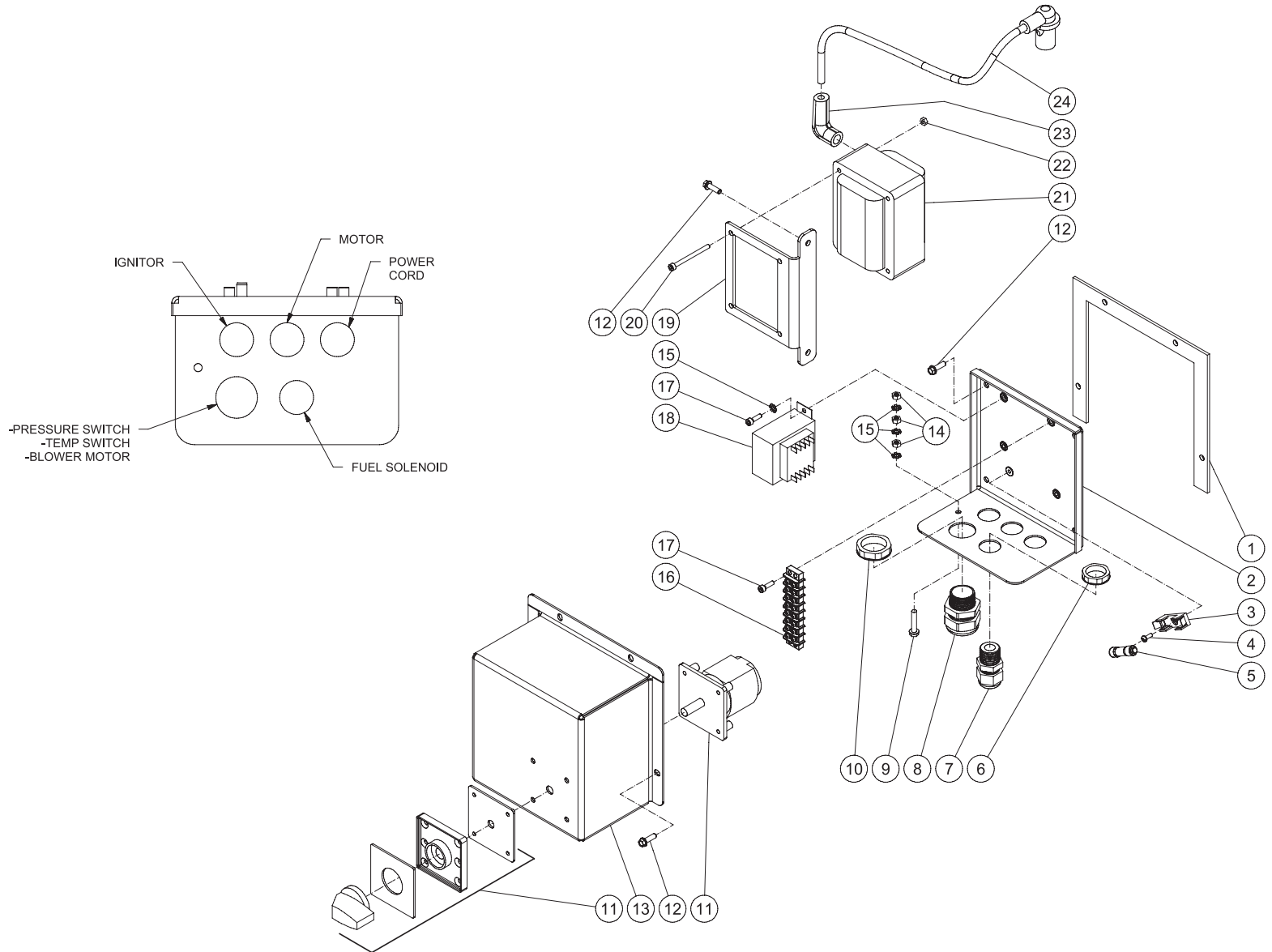
ELECTRIC BOX ASSEMBLY FOR 1002/1502



1002_1502 - E-BOX ASSY 102616 ALC

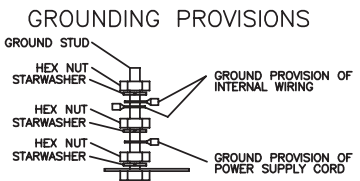
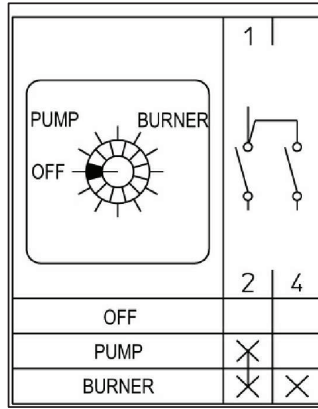
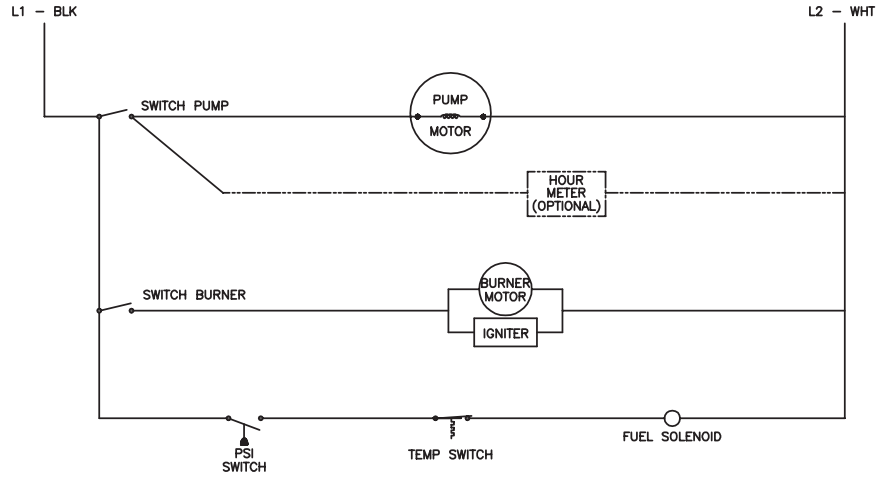
ELECTRIC BOX ASSEMBLY			
ITEM	DESCRIPTION	PART #	QTY
1	GASKET	26-0384	1
2	ELECTRIC BOX BACK	20-1308A01	1
3	ELECTRICAL LOCKNUT	32-0108	4
4	STRAIN RELIEF	32-0437	4
5	CORD RELIEF	9-0046	1
6	BOLT	27-8807	1
7	SCREW	27-8881	5
8	ELECTRICAL LOCKNUT	32-0292	1
9	CAM SWITCH (1502)	32-0679	1
-	CAM SWITCH (1002)	32-0434	1
-	CAM SWITCH (HX-0232, HX-0239, HX-0245, HX-0246)	32-1137	1
10	BOLT	27-9526	12
11	ELECTRIC BOX COVER	20-1309A01	1
12	TERMINAL STRIP	32-0436	1
13	NUT	30-6001	3
14	STAR WASHER	28-1009	3
15	IGNITER BRACKET	20-1307A01	1
16	SPARK PLUG WIRE ASSY	850-0427	1
17	ELECTRODE BOOT	32-0999	2
18	SPARK PLUG TERMINAL	44-0119	2
19	ELECTRODE WIRE	32-0988	2
20	TERMINAL	32-1163	2
21	IGNITOR	44-0166	1
22	BUTT SPLICE	32-0402	2
23	HEAT SHRINK *(ONE FOOT REQUIRED)	33-0219	1
24	CORD *(TWO FEET REQUIRED)	32-0075	1
*MUST ORDER IN ONE FOOT LENGTHS			

ELECTRIC BOX ASSEMBLY FOR 2003



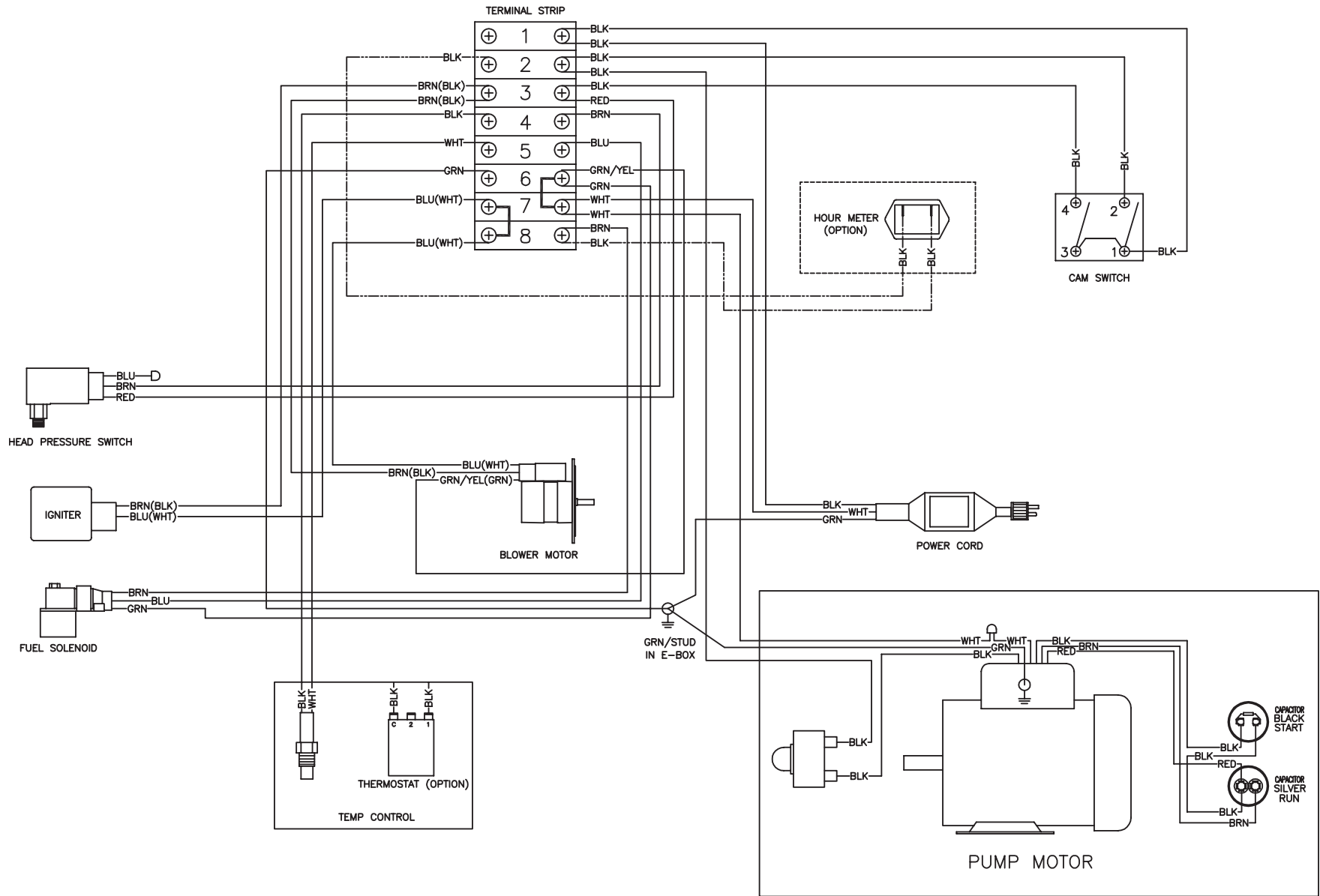
-2003 ELECTRIC BOX ASSEMBLY 062113 CH			
ELECTRIC BOX ASSEMBLY			
ITEM	DESCRIPTION	PART #	QTY
1	GASKET	26-0384	1
2	ELECTRIC BOX BACK	20-1308A01	1
3	FUSE HOLDER	32-0710	1
4	BOLT	27-2045	1
5	FUSE - 0.15 AMP	32-0711	1
6	ELECTRICAL LOCKNUT	32-0108	4
7	STRAIN RELIEF	32-0437	4
8	CORD RELIEF	9-0046	1
9	BOLT	27-8807	1
10	ELECTRICAL LOCKNUT	32-0292	1
11	CAM SWITCH	32-0435	1
12	BOLT	27-9526	10
13	ELECTRIC BOX COVER	20-1309A01	1
14	NUT	30-6001	3
15	STAR WASHER	28-1009	5
16	TERMINAL STRIP	32-0436	1
17	SCREW	27-8835	4
18	TRANSFORMER	32-0704	1
19	IGNITER BRACKET	20-1306A01	1
20	SCREW	27-8899	4
21	IGNITOR	44-0081	1
22	NUT	30-0137	4
23	SPARK PLUG BOOT	44-0118	2
24	ELECTRODE WIRE	32-0988	2

WIRE SCHEMATIC FOR 1002/1502



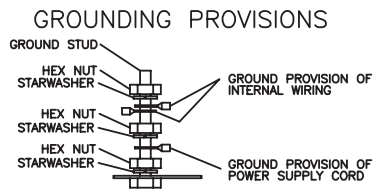
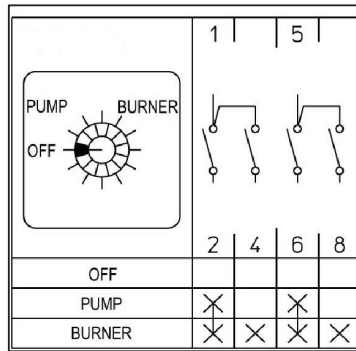
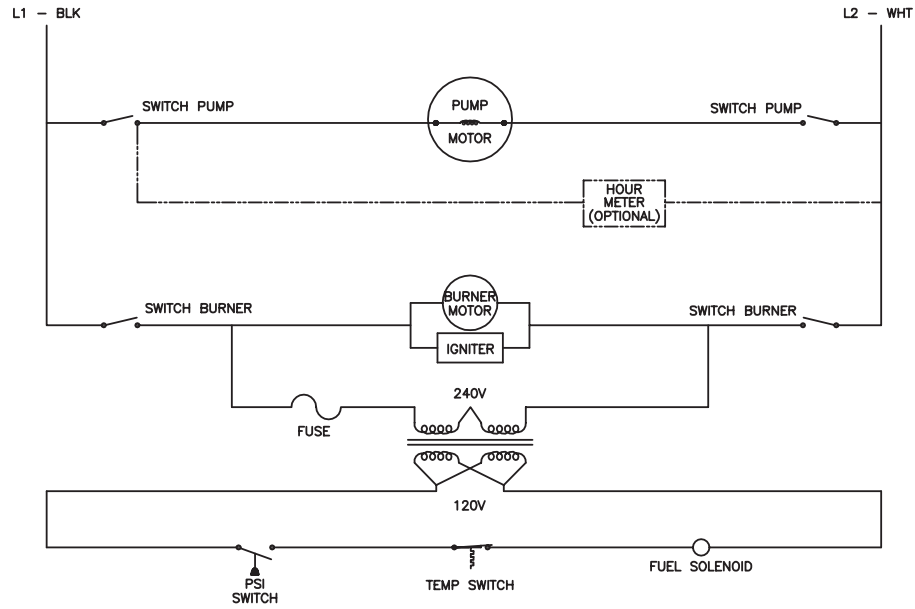
WS - 1002_1502 111815 MLK

WIRE DIAGRAM FOR 1002/1502

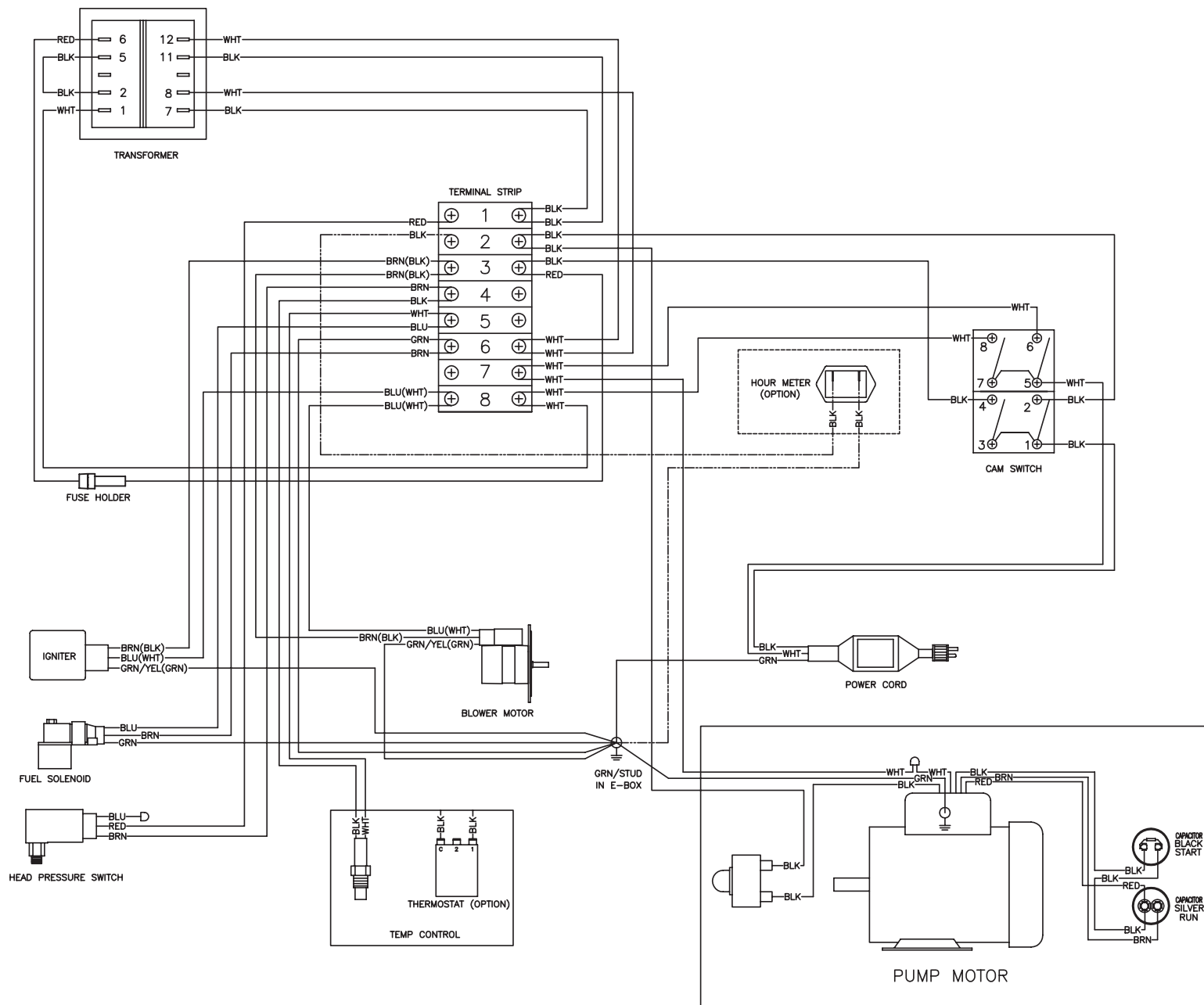


WD - 1002_1502 111815 MLK

WIRE SCHEMATIC FOR 2003



WIRE DIAGRAM FOR 2003

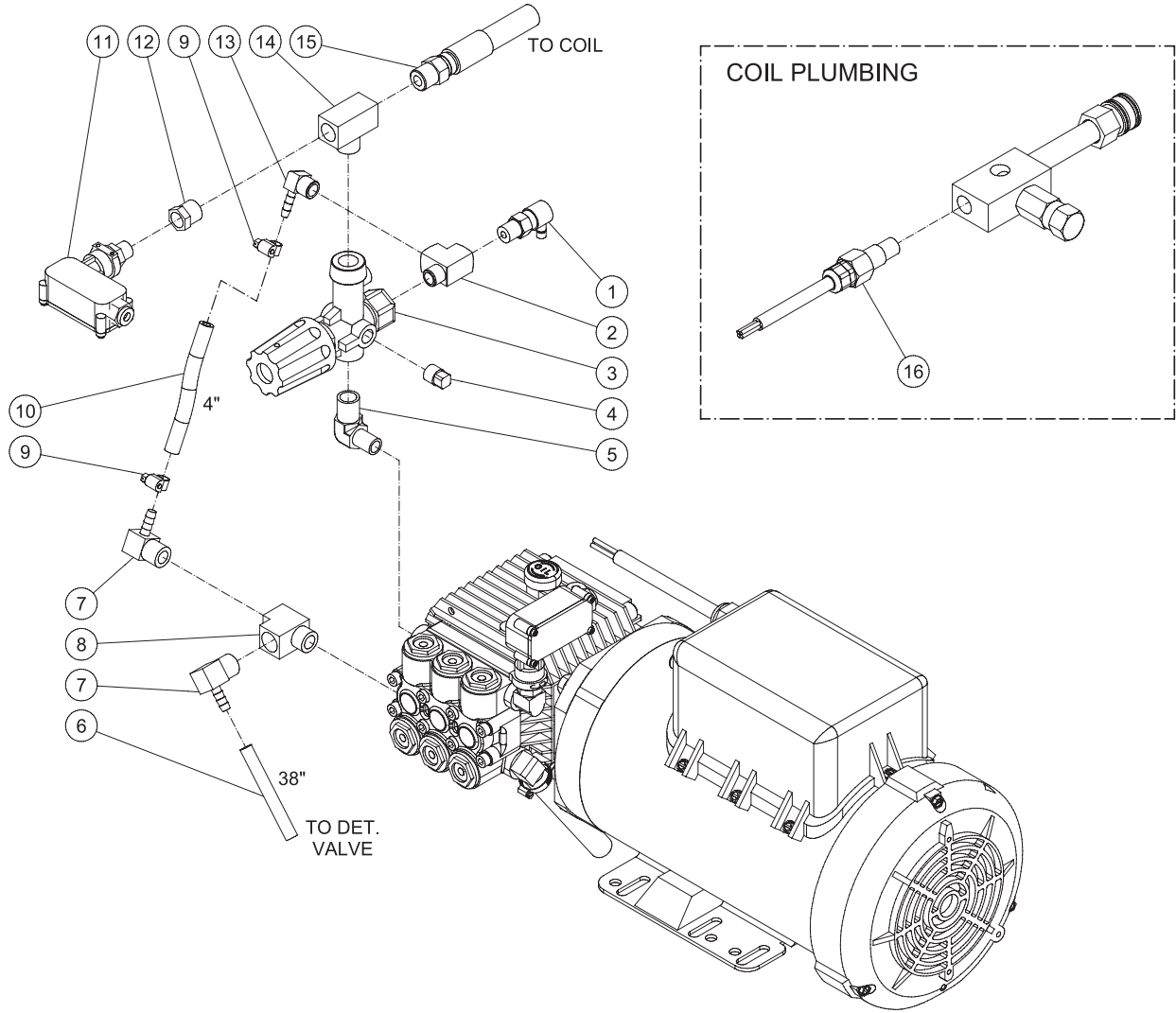


WD - 2003 11815 CH

ACCESSORIES

OPTIONS	DESCRIPTION
HX-0232	300F STEAM (1002/1502)
HX-0233	ADJUSTABLE THERMOSTAT
HX-0235	HOUR METER
HX-0237	AUTO START/STOP (1002/1502)
HX-0238	TIME DELAY SHUTDOWN (1002/1502)
HX-0240	300F STEAM (2003)
HX-0243	AUTO START/STOP (2003)
HX-0244	TIME DELAY SHUTDOWN (2003)

OPTION- STEAM PLUMBING (HX-0232 / HX-0240)

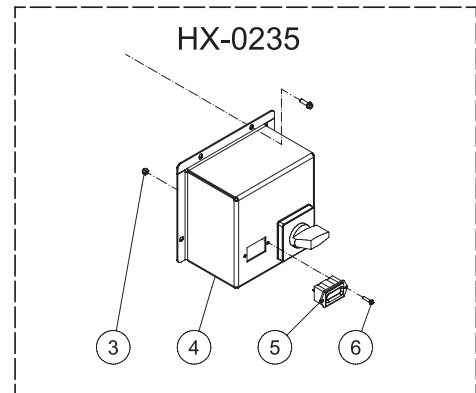
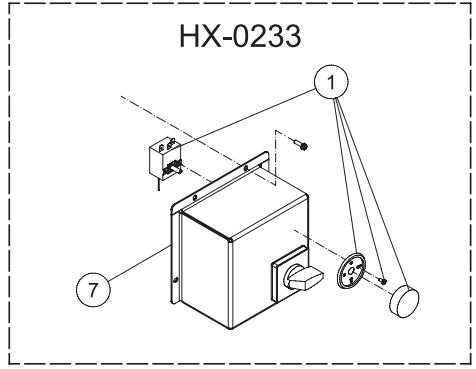
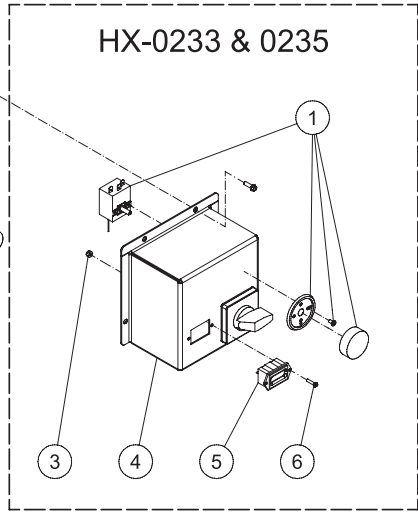
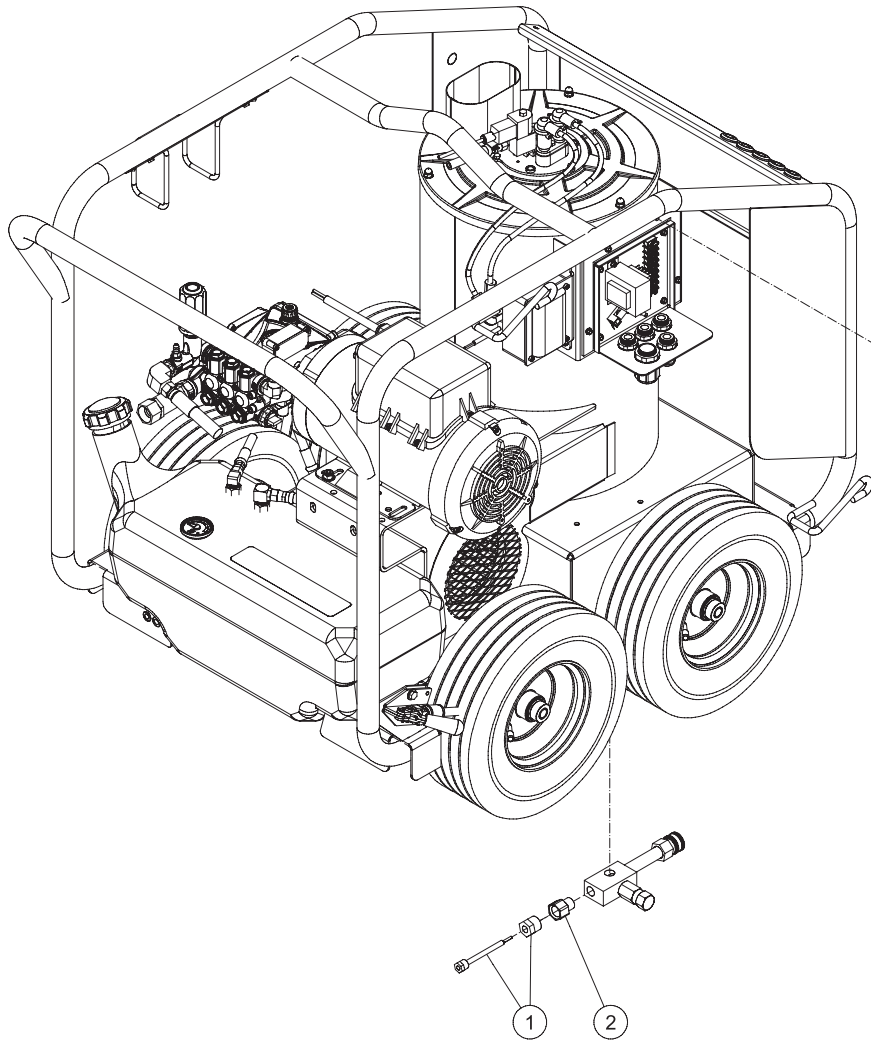


SMALL - STEAM PLUMBING_GEN 052813 CH

SMALL - STEAM PLUMBING GEN 052813 CH			
OPTION - STEAM PLUMBING			
ITEM	DESCRIPTION	PART #	QTY
1	HEAT DUMP VALVE	22-0408	1
2	TEE	23-0127	1
3	UNLOADER	850-0267	1
4	PLUG	23-0238	1
5	ELBOW	24-0118	1
6	HOSE *(FOUR FEET REQUIRED)	15-0021	1
7	HOSE BARB	23-0139	2
8	TEE	23-0382	1
9	CLAMP WORM	42-0004	2
10	FUEL HOSE *(ONE FOOT REQUIRED)	15-0008	1
11	PRESSURE SWITCH	22-0243	1
12	REDUCER	23-0017	1
13	ELBOW	23-0054	1
14	TEE	23-0117	1
15	HIGH PRESSURE HOSE	15-0090	1
16	HI LIMIT SWITCH	32-0503	1
*MUST ORDER IN ONE FOOT LENGTHS			

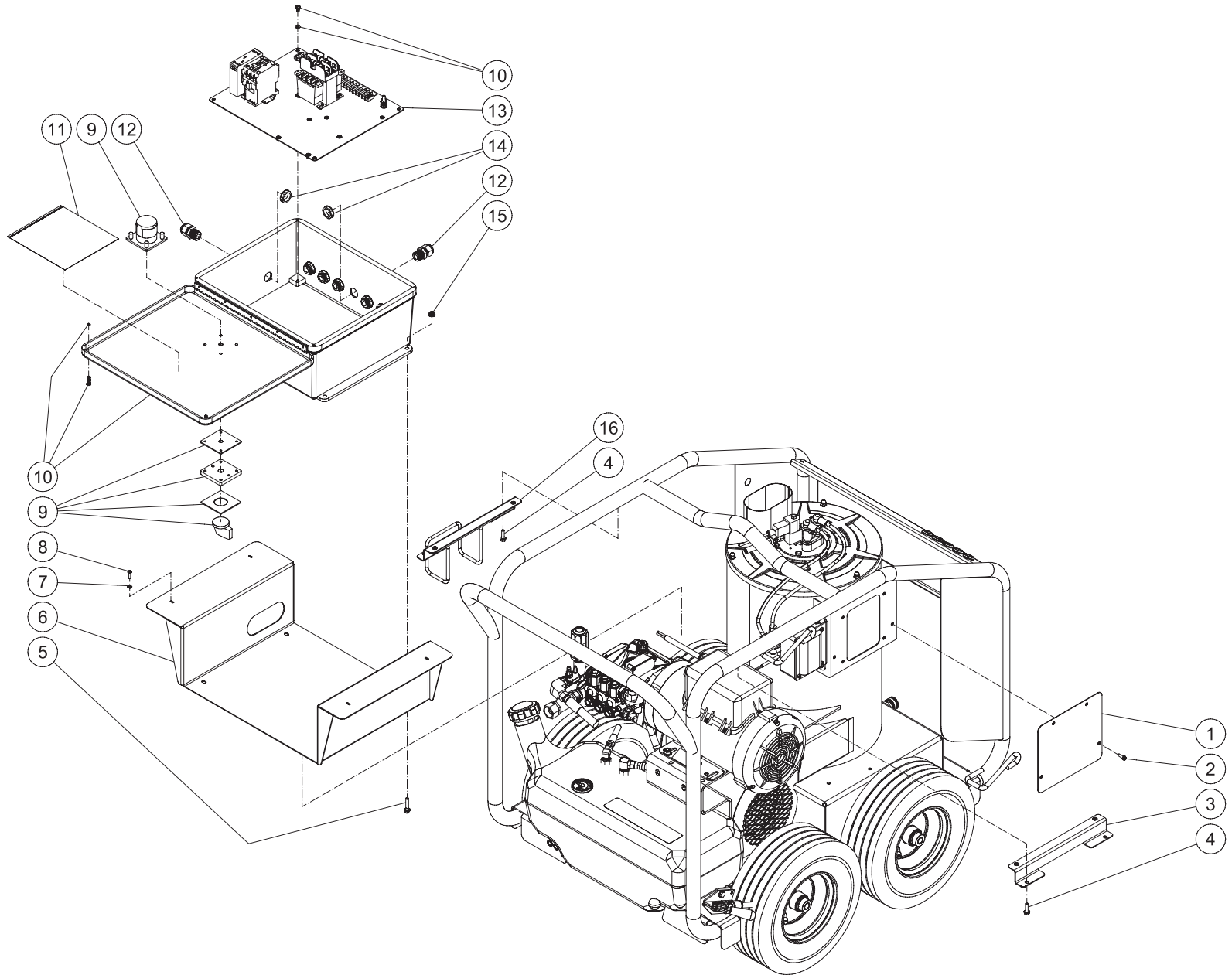
OPTION- ADJUSTABLE THERMOSTAT (HX-0233 AND HX-0235)

HX-0233_HX-0235 ADJUSTABLE THERMOSTAT AND HOUR METER 110712 CH



HX-0233 AND HX-0235 ADJ THERM_HR METER 110712 CH			
OPTION-ADJUSTABLE THERMOSTAT AND HOUR METER			
ITEM	DESCRIPTION	PART #	QTY
1	ADJUSTABLE THERMOSTAT	32-0962	1
2	REDUCER	23-0243	1
3	LOCKNUT	30-0152	2
4	ELECTRIC BOX COVER	20-1317A01	1
5	HOUR METER	32-0668	1
6	SCREW	27-8881	2
7	ELECTRIC BOX COVER	20-1309A01	1

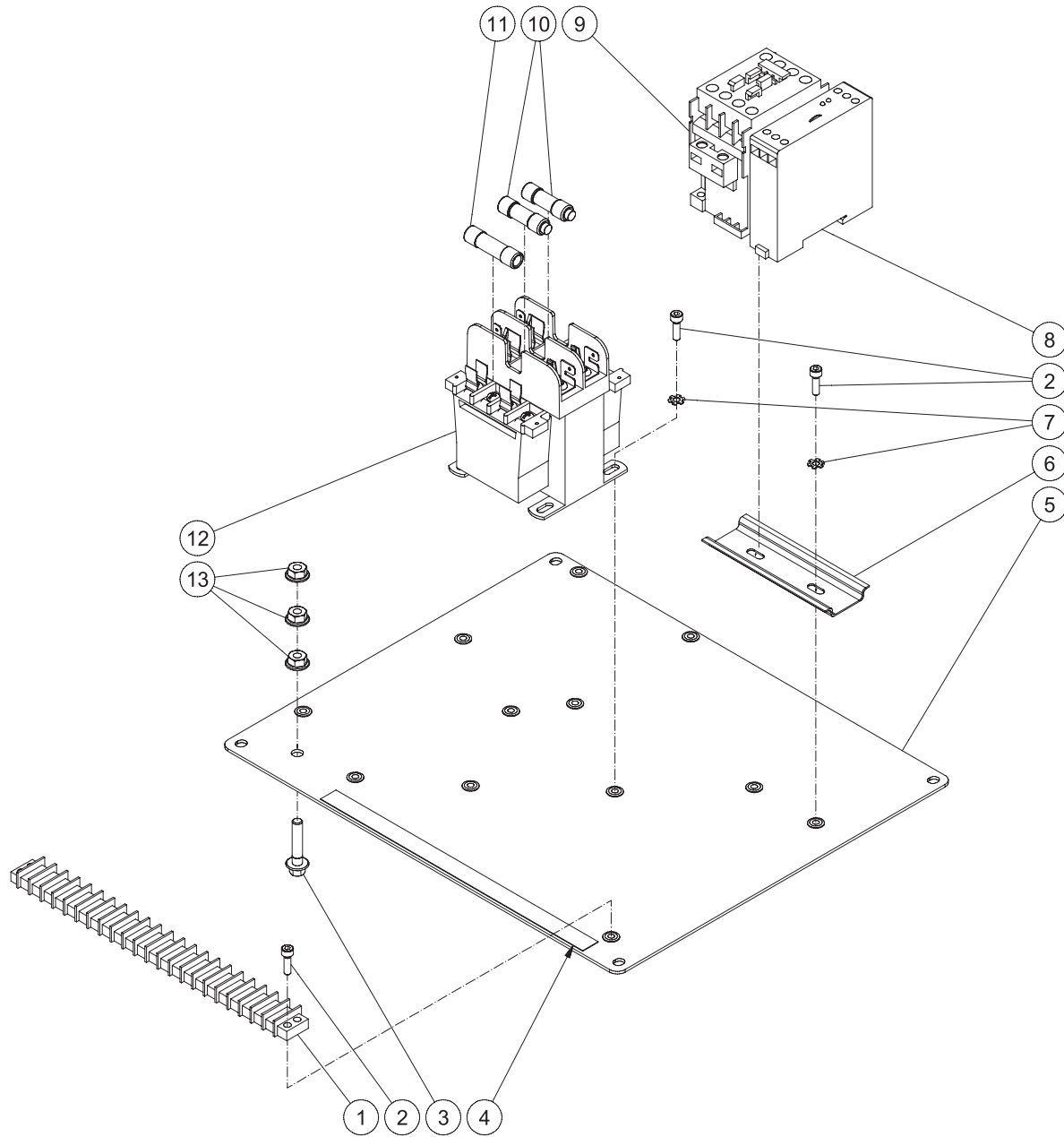
OPTION- CONTROL PANEL (HX-0237, HX-0238, HX-0243, HX-0244)



HX-0237_HX-0238_HX-0231 HSE SMALL - OPTION CONTROL PANEL 060513 CH

HX-0237, HX-0238, HSE SMALL-OPTION CONTROL PANEL 060513 CH			
OPTION - CONTROL PANEL			
ITEM	DESCRIPTION	PART #	QTY
1	COVER PLATE	20-1313A01	1
2	BOLT	27-9526	4
3	PANEL MOUNT BRACKET	20-1311A01	1
4	BOLT	27-9527	4
5	BOLT	27-8898	4
6	CONTROL PANEL	20-1310A01	1
7	STAR WASHER	28-1009	4
8	SCREW	27-8942	4
9	CAM SWITCH	32-1061	1
10	ELECTRICAL BOX	32-1122	1
11	PLASTIC ZIPLOCK BAG	41-0184	1
12	STRAIN RELIEF	32-0437	8
13	ELECTRIC PANEL ASSEMBLY	N/A	1
14	ELECTRICAL LOCKNUT	32-0108	8
15	NUT	30-3022	4
16	PANEL MOUNT BRACKET W/HANGER	20-1312A01	1

OPTION- ELECTRIC PANEL

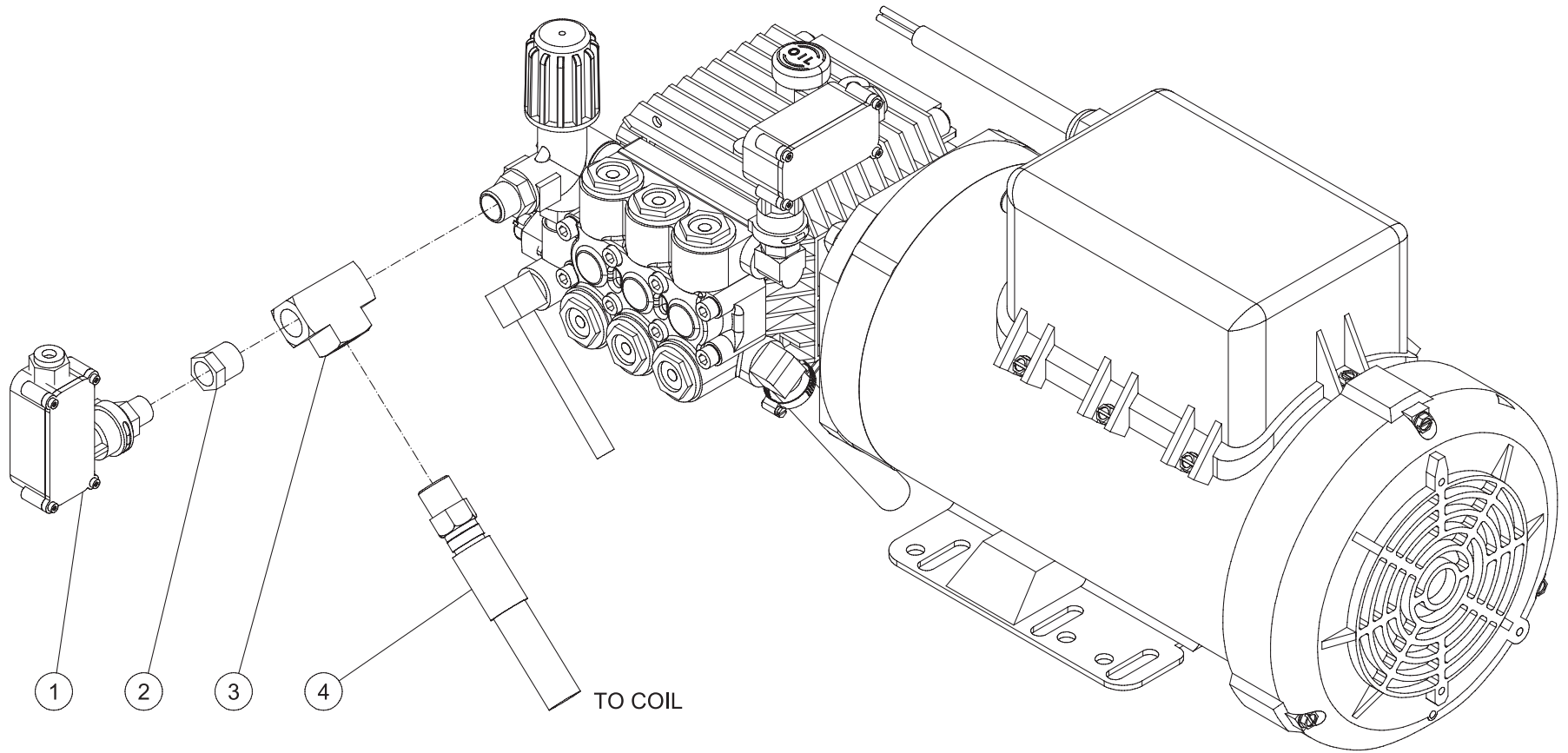


SMALL ELECTRIC PANEL AUTO SS_TIME DELAY 111212 CH

SMALL - ELECTRIC PANEL AUT SS_TIME DELAY 111212 CH			
ELECTRIC PANEL ASSEMBLY			
ITEM	DESCRIPTION	PART #	QTY
1	TERMINAL STRIP	32-0463	1
2	SCREW	27-8835	6
3	BOLT	27-8898	1
4	DECAL - TERMINAL STRIP	N/A	1
5	ELECTRIC PANEL	20-0434A06	1
6	DIN RAIL	32-0316	1
7	STAR WASHER	28-1009	4
8	TIMER	32-0509	1
9	CONTACTOR	32-0477	1
10	FUSE 0.5A (2003)	32-0467	2
11	FUSE 0.6A (2003)	32-0471	1
12	TRANSFORMER (2003)	32-0313	1
13	NUT	30-3022	3

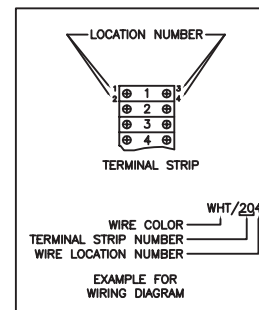
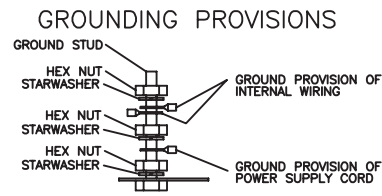
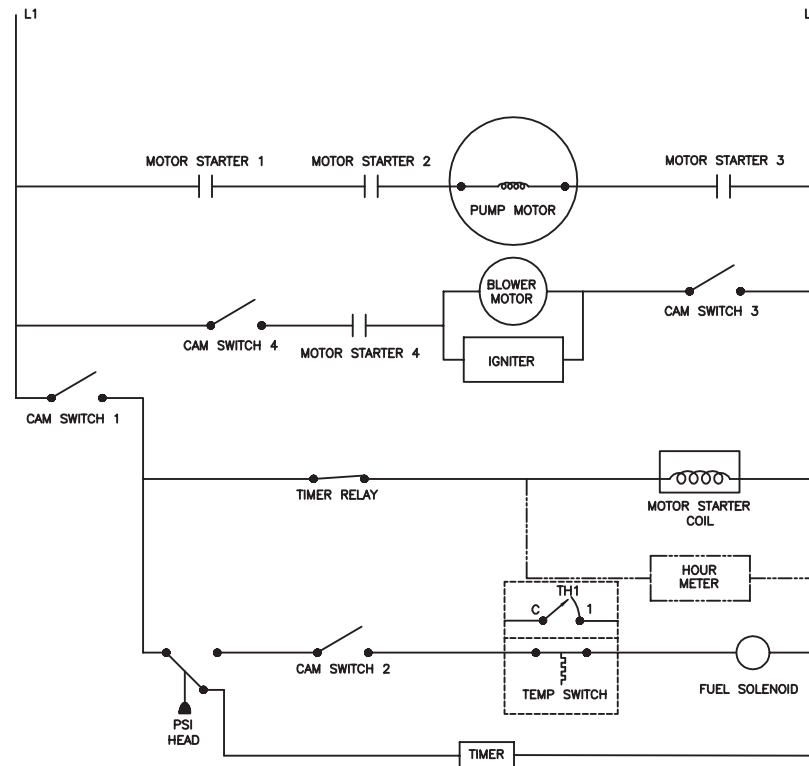
OPTION- AUTO START / STOP PLUMBING

SMALL-AUTO SS PLUMBING_GEN 111212 CH



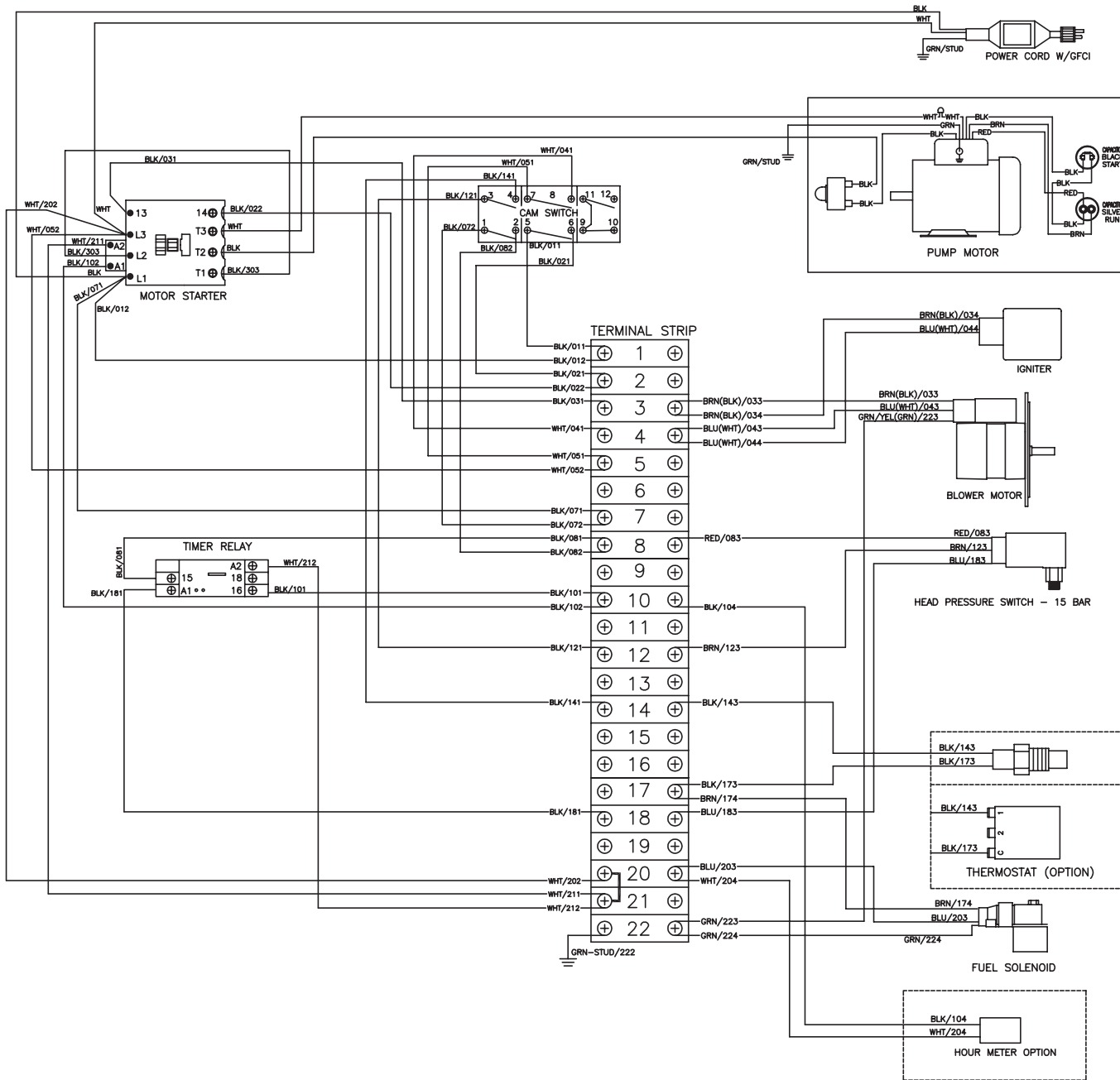
SMALL-AUTO SS PLUMBING GEN 111212 CH			
AUTO START/STOP PLUMBING			
ITEM	DESCRIPTION	PART #	QTY
1	PRESSURE SWITCH	22-0243	1
2	REDUCER	23-0017	1
3	TEE	23-0041	1
4	HIGH PRESSURE HOSE	15-0090	1

WIRE SCHEMATIC TIME DELAY SHUTDOWN (1002 AND 1502)



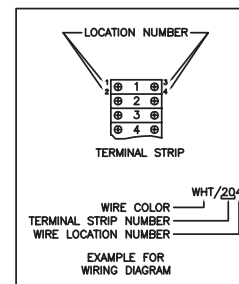
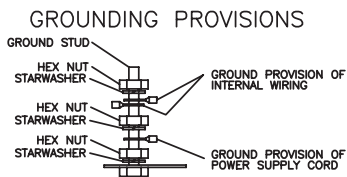
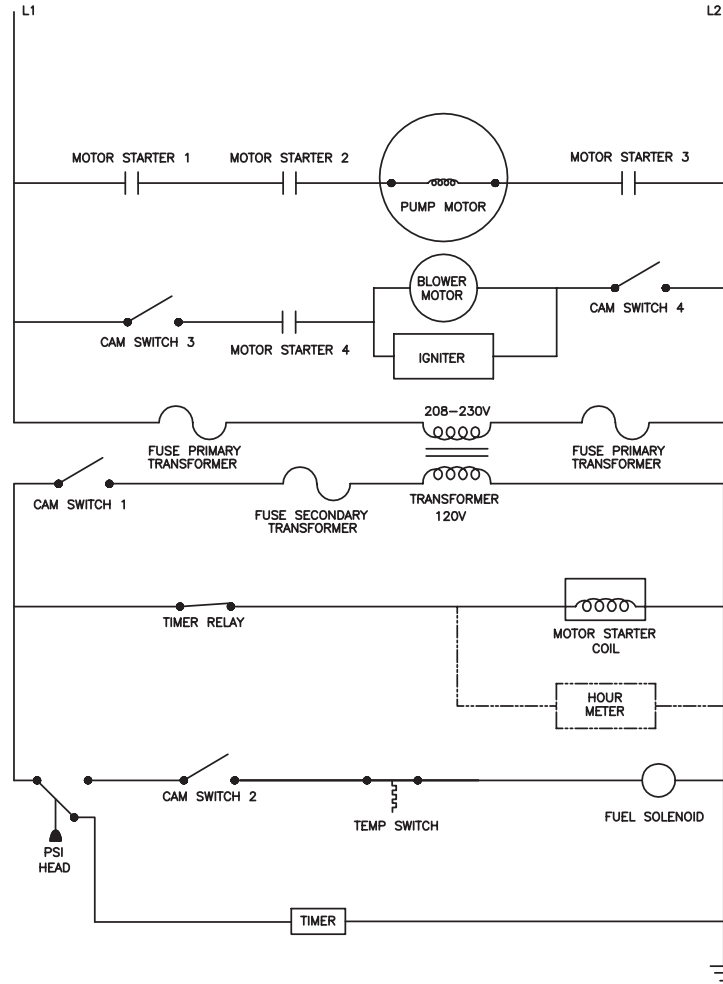
WS-1002_1502 TIME DELAY 090214 JPS

WIRE DIAGRAM TIME DELAY SHUTDOWN (1002 AND 1502)



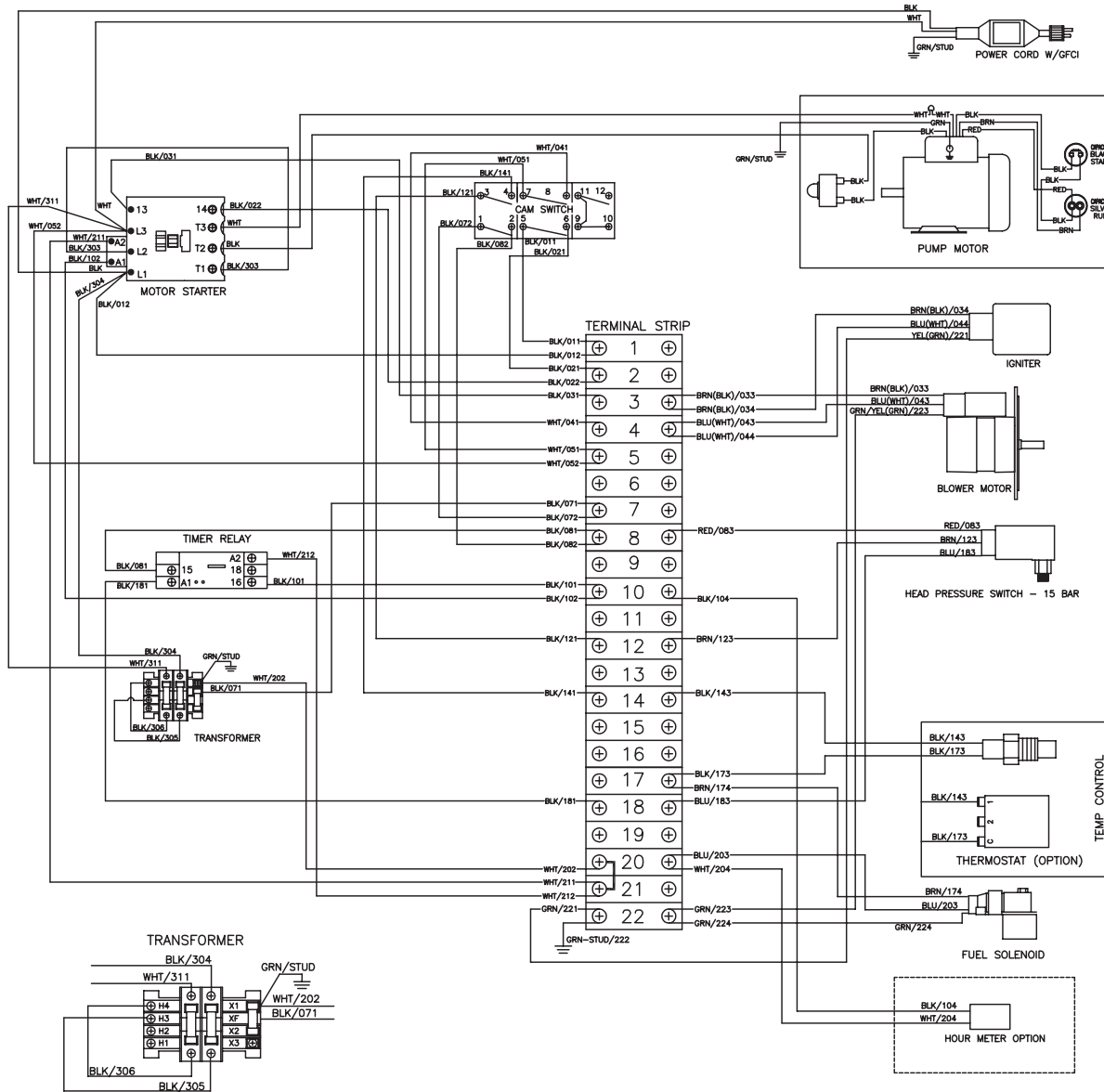
WD-1002_1502 TIME DELAY SHUTDOWN 090214 JPS

WIRE SCHEMATIC TIME DELAY SHUTDOWN (2003)



WS - 2003 TIME DELAY 090313 CH

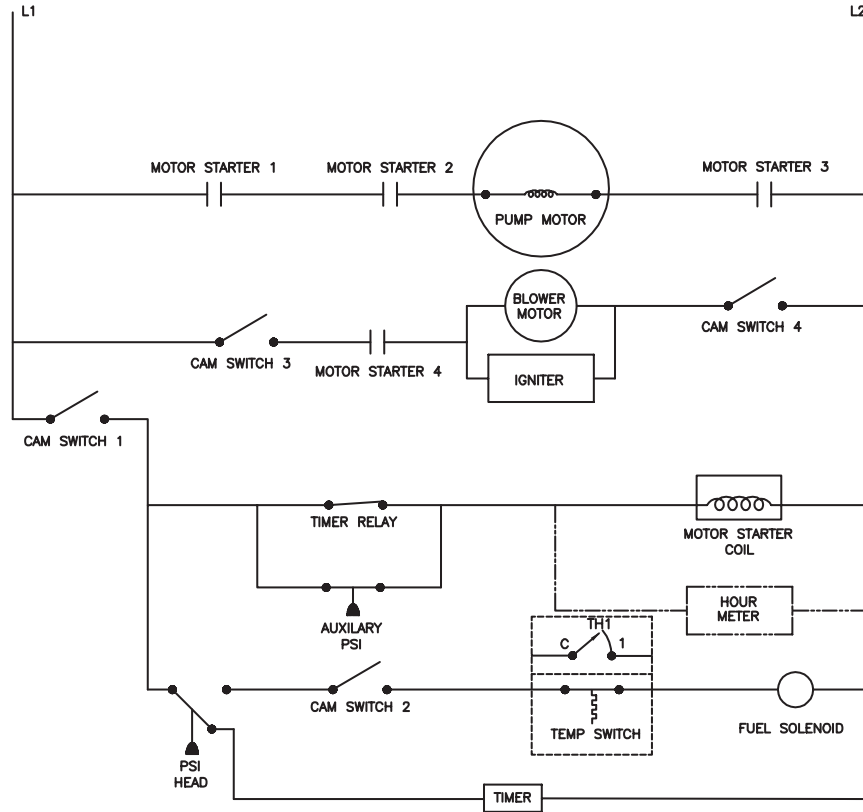
WIRE DIAGRAM TIME DELAY SHUTDOWN (2003)



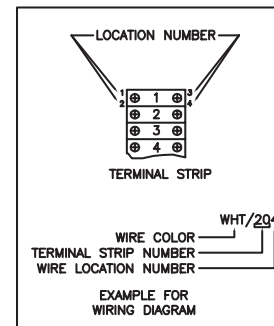
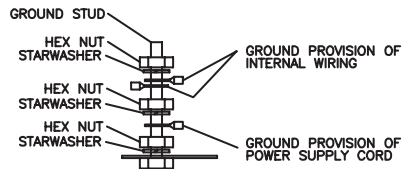
FACTORY SETTING	PRIMARY VOLTAGE		SECONDARY VOLTAGE	
	VOLTAGE	TERMINALS	VOLTAGE	TERMINALS
	208	H4-H3	115	XF-X1
	230	H4-H2	115	XF-X1

WD - 2003 TIME DELAY 090313 CH

WIRE SCHEMATIC AUTO START STOP (1002 AND 1502)

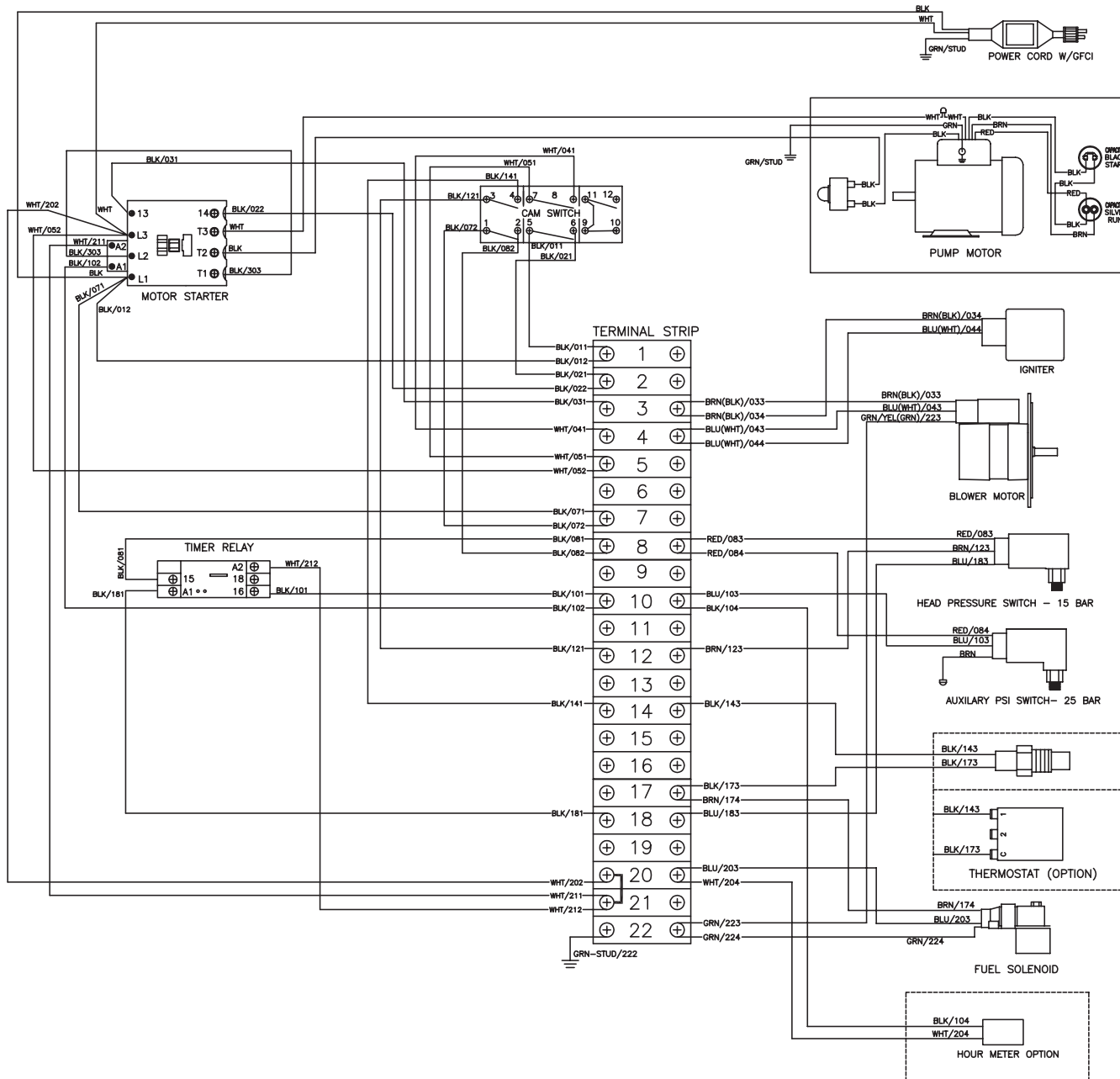


GROUNDING PROVISIONS



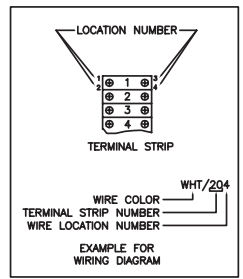
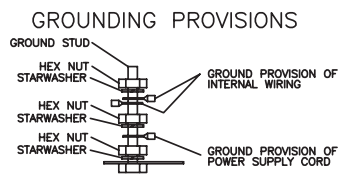
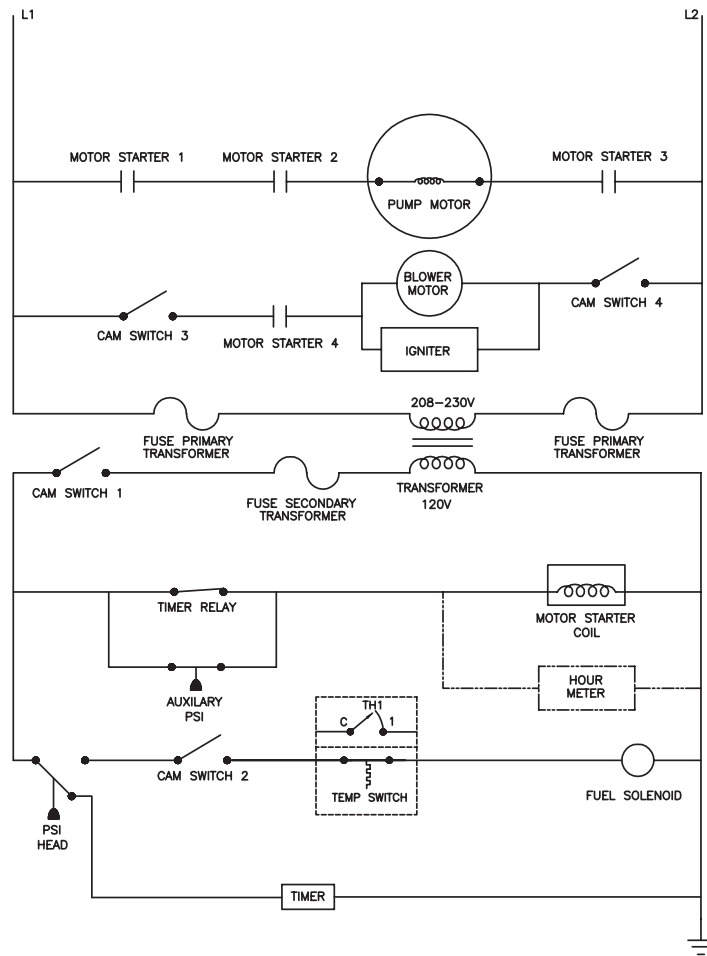
WS - 1002_1502 AUTO SS 081514 CH

WIRE DIAGRAM AUTO START STOP (1002 AND 1502)



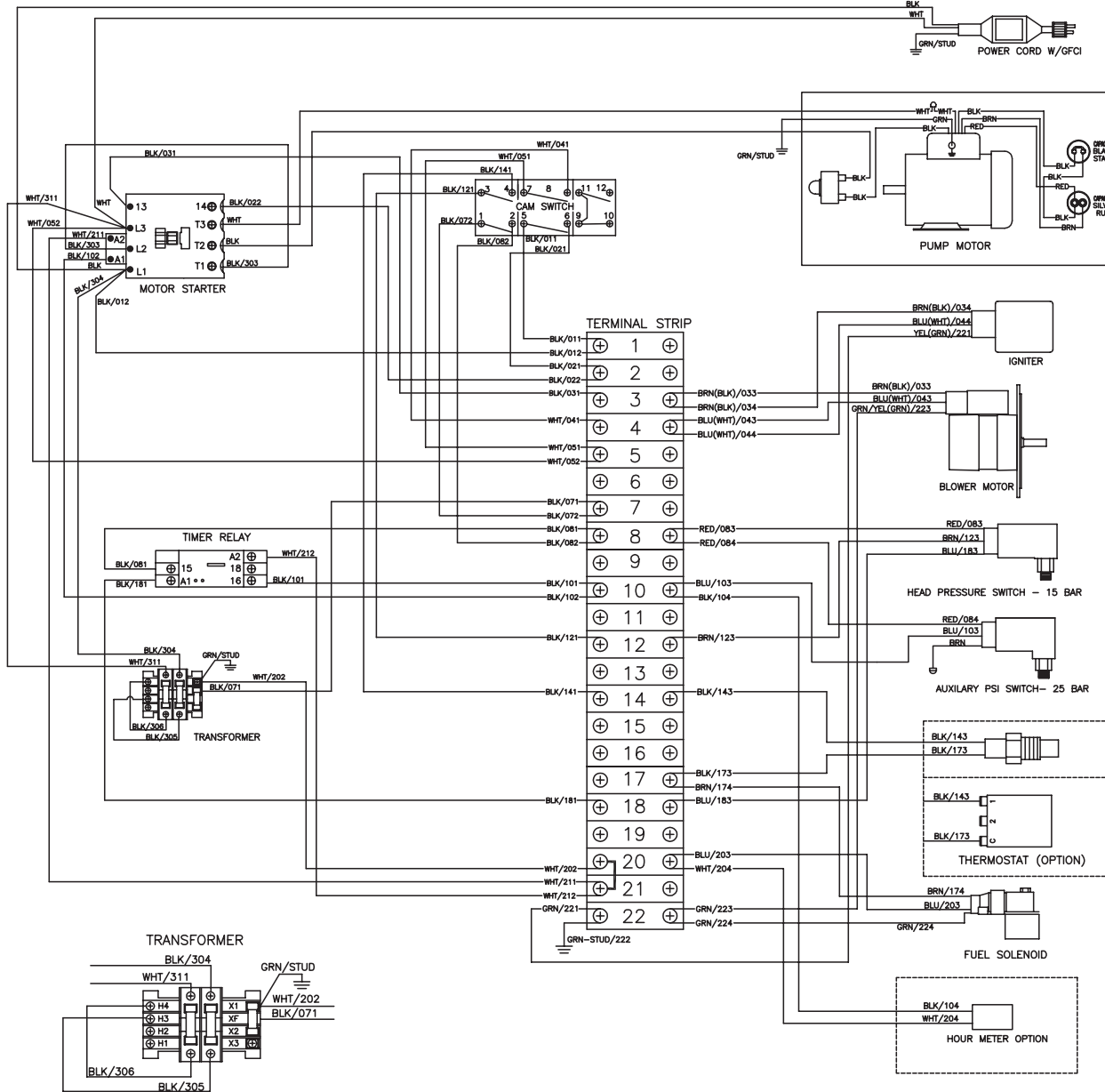
WD - 1002_1502 AUTO SS 081514 CH

WIRE SCHEMATIC AUTO START STOP (2003)



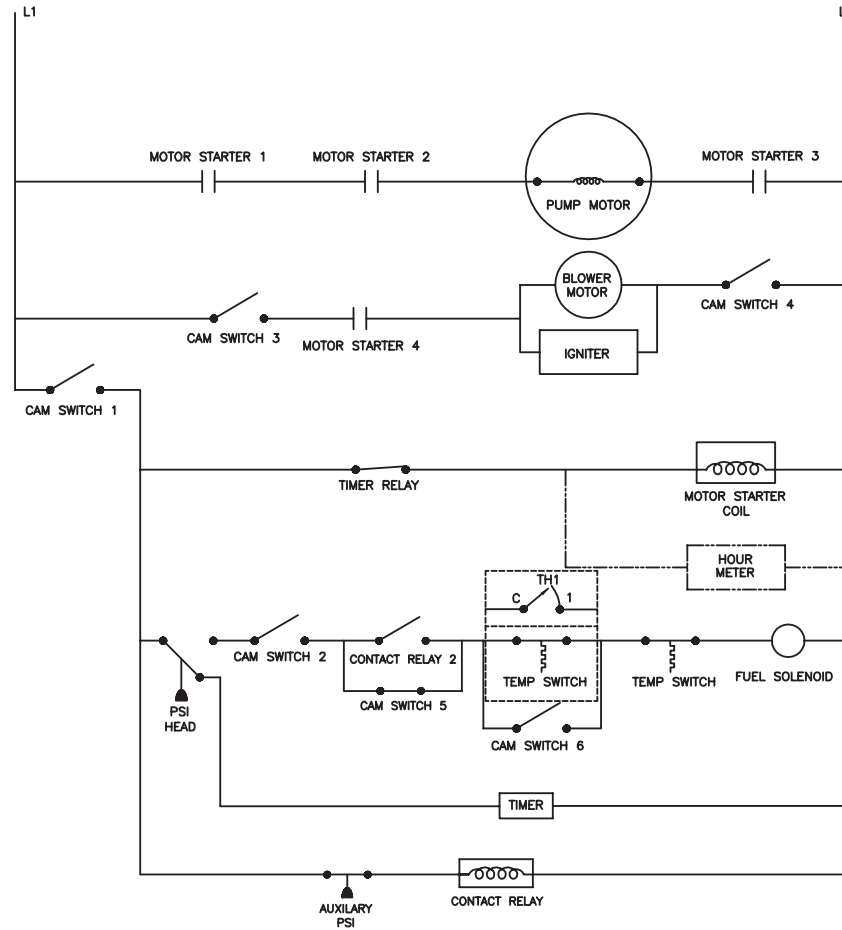
WS - 2003 AUTO SS 081514 JPS

WIRE DIAGRAM AUTO START STOP (2003)



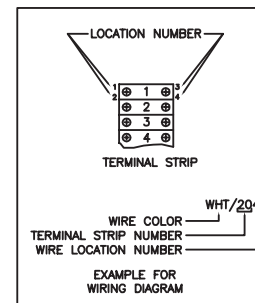
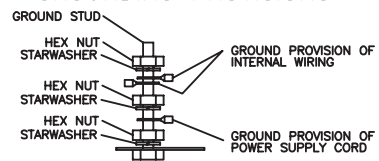
WD - 2003 AUTO SS 081514 JPS

WIRE SCHEMATIC TIME DELAY AND STEAM (1002 AND 1502)

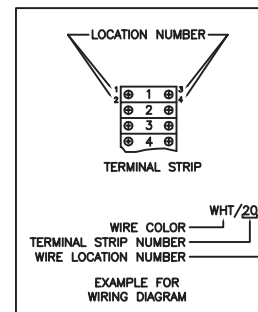
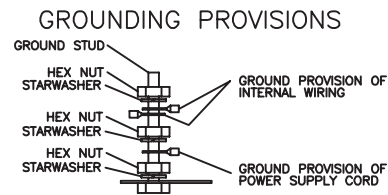
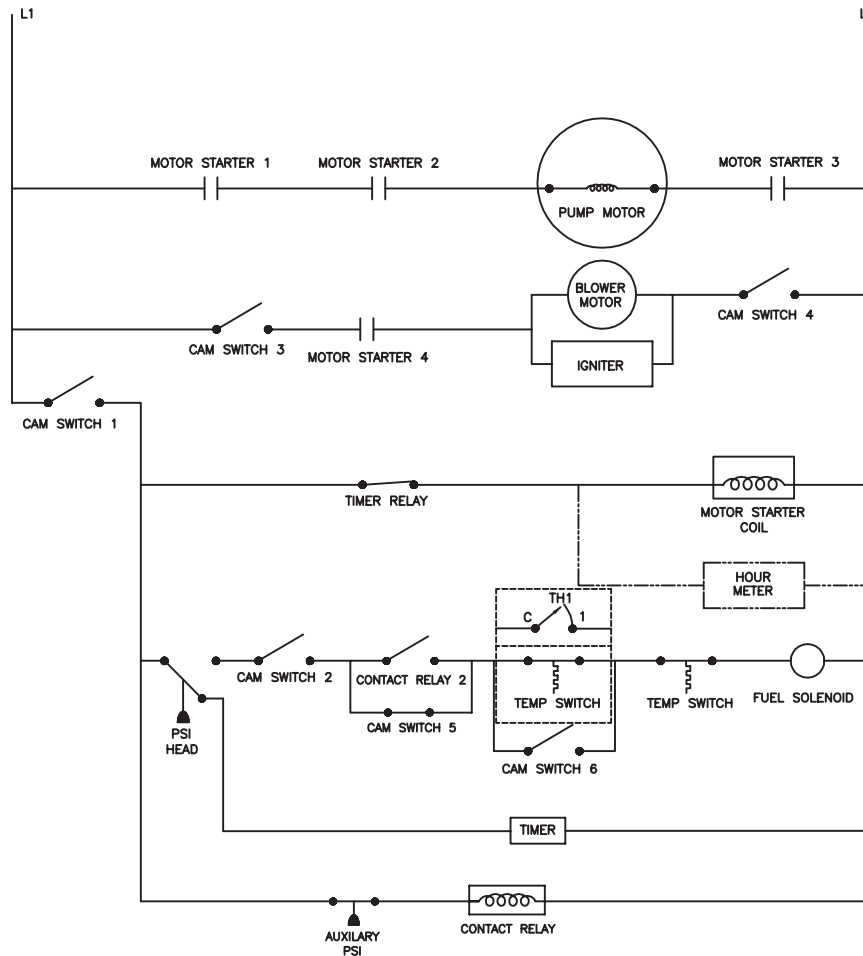


WS - 1002_1502 TIME DELAY_STEAM_090214 JPS

GROUNDING PROVISIONS

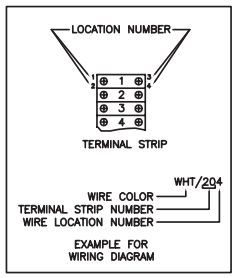
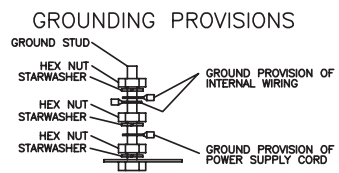
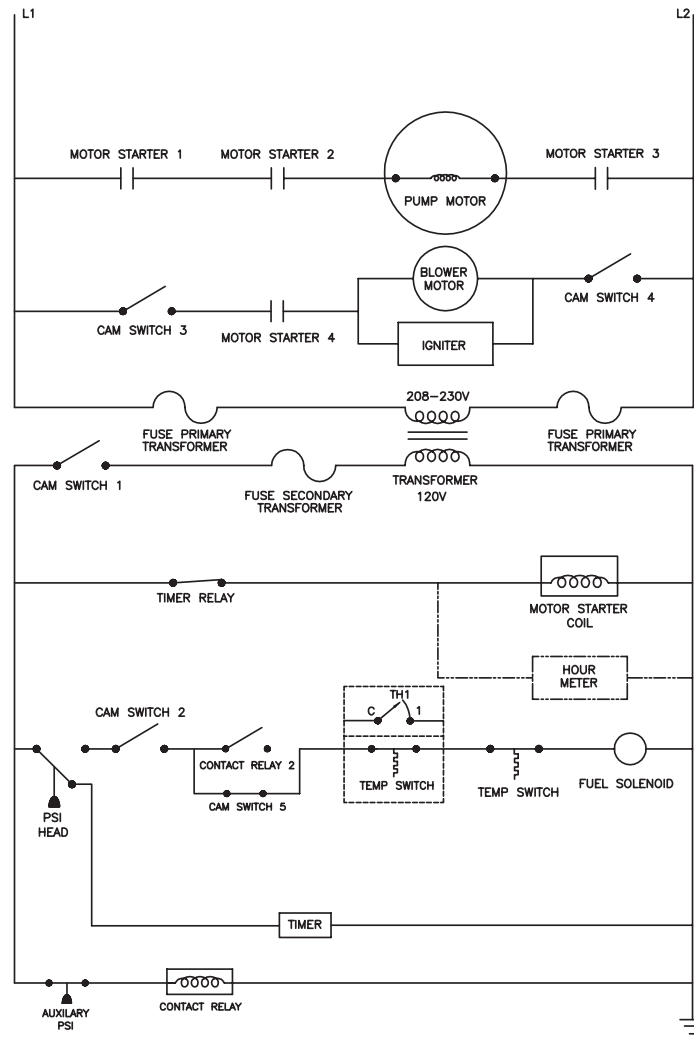


WIRE DIAGRAM TIME DELAY AND STEAM (1002 AND 1502)



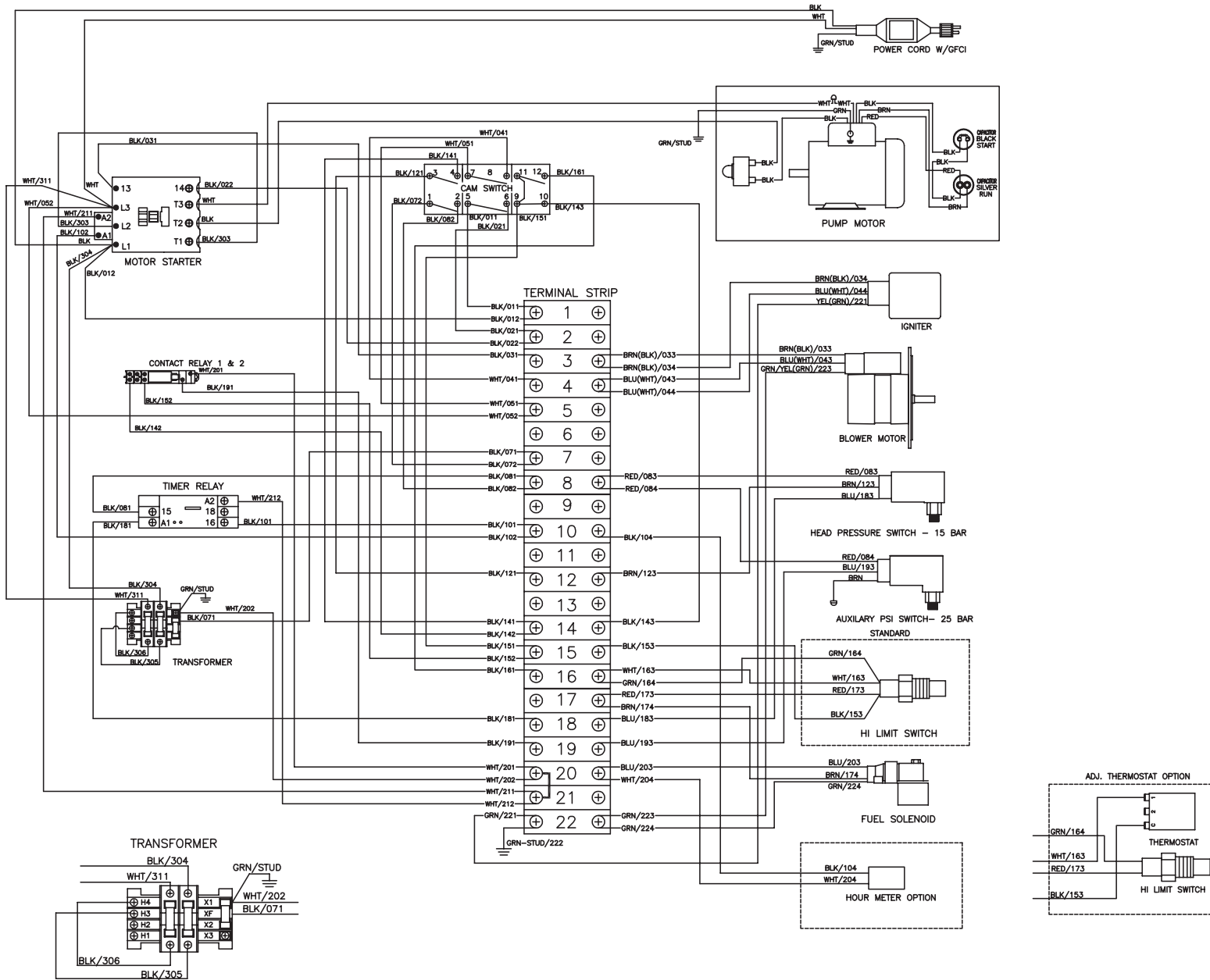
WS - 1002_1502 TIME DELAY_STEAM_090214 JPS

WIRE SCHEMATIC TIME DELAY AND STEAM (2003)



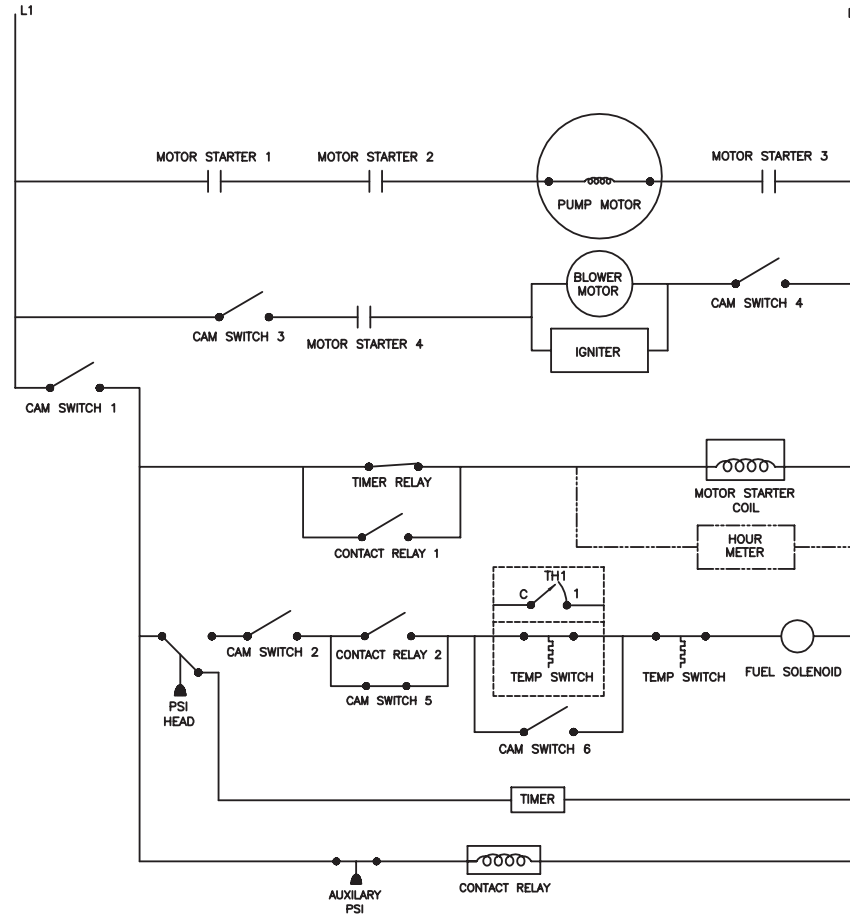
WS - 2003 TIME DELAY_STEAM_092414 JPS

WIRE DIAGRAM TIME DELAY AND STEAM (2003)

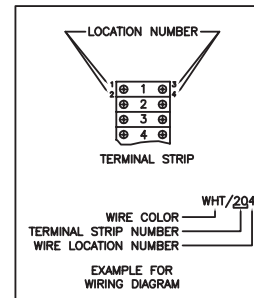
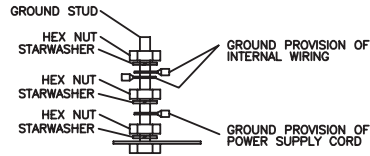


WD - 2003 TIME DELAY_STEAM 092414 JPS

WIRE SCHEMATIC AUTO START / STOP AND STEAM (1002 AND 1502)

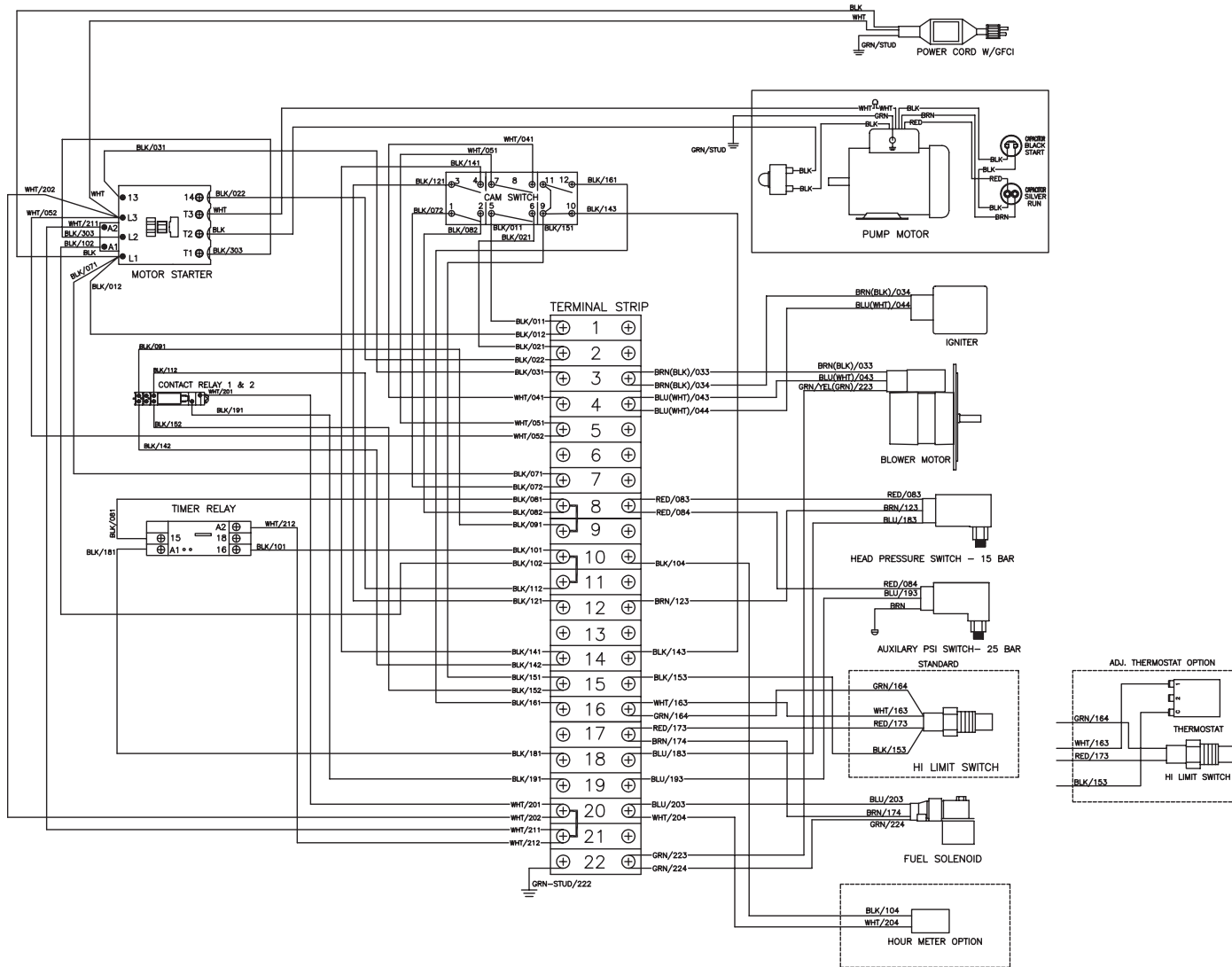


GROUNDING PROVISIONS



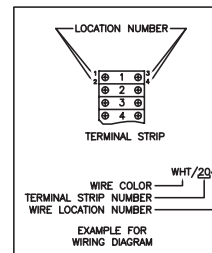
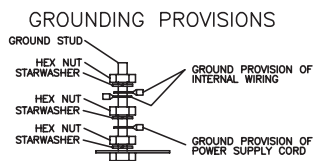
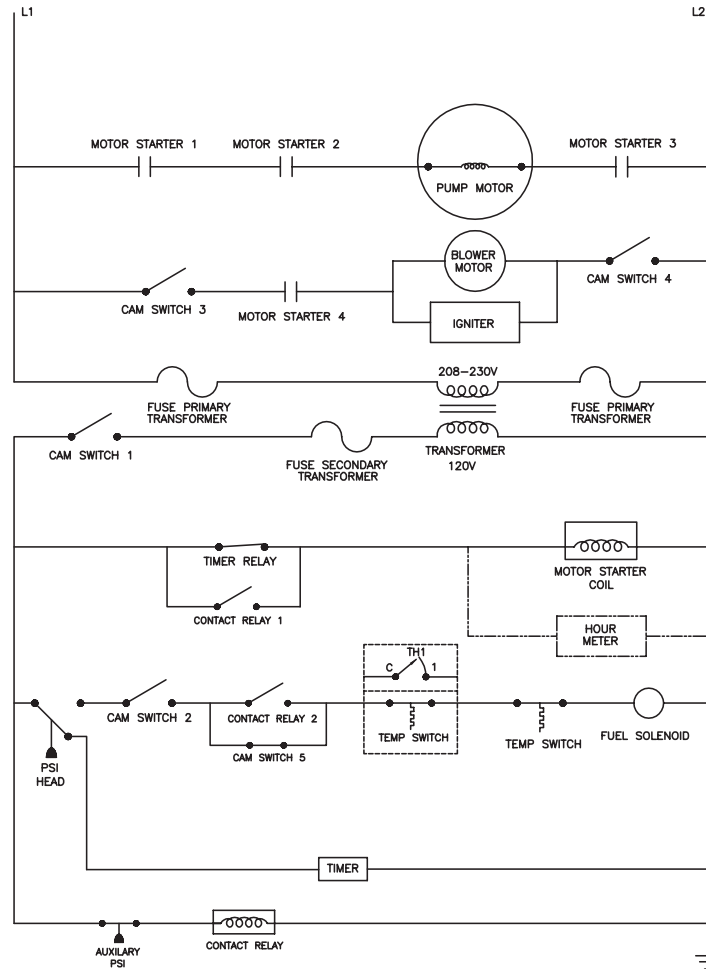
WS - 1002_1502 AUTO SS_STEAM 090214 JPS

WIRE DIAGRAM AUTO START / STOP AND STEAM (1002 AND 1502)



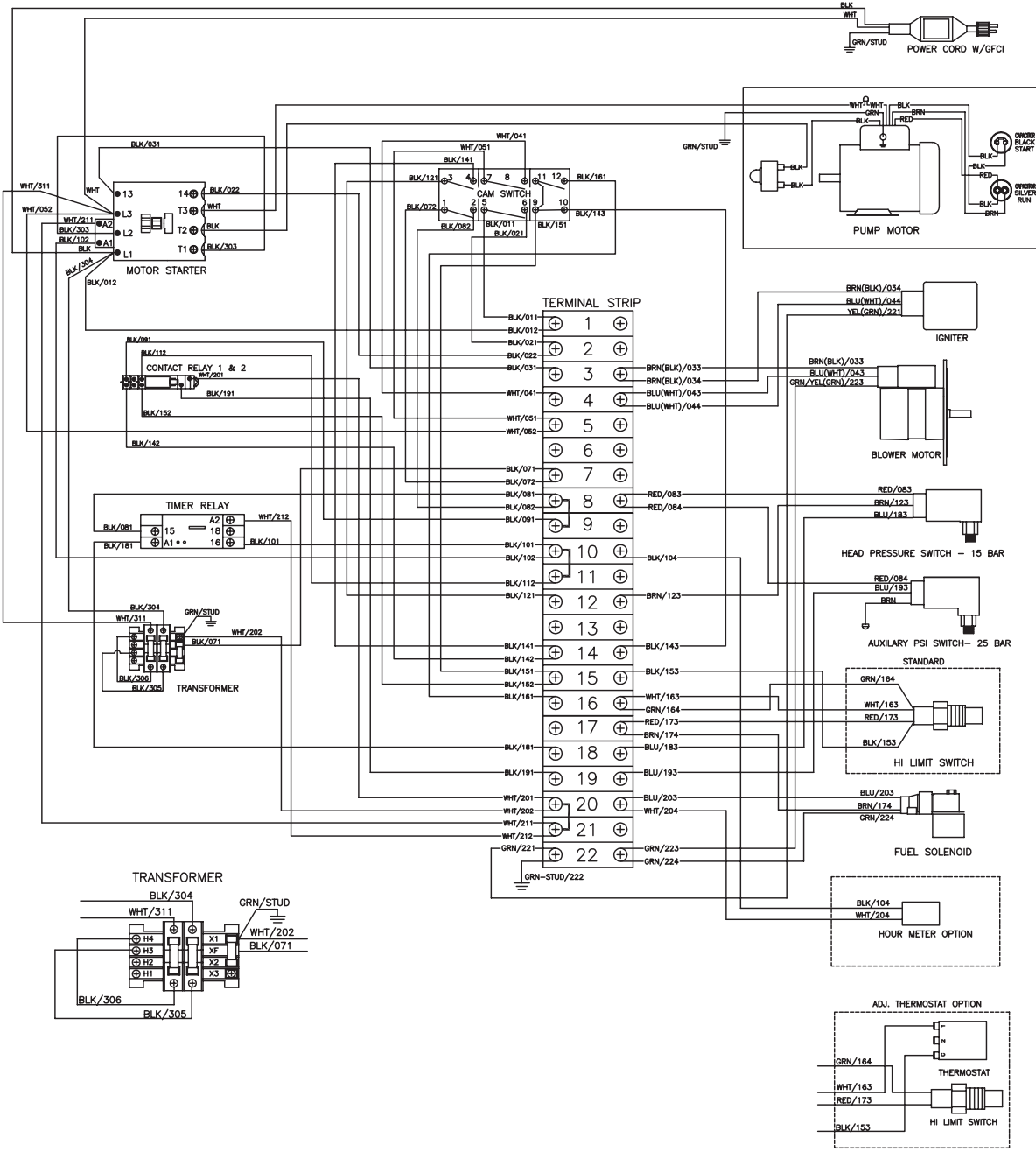
WD - 1002_1502 AUTO SS_STEAM 090214 JPS

WIRE SCHEMATIC AUTO START / STOP AND STEAM (2003)



WS - 2003 AUTO SS_STEAM 03:19:14 ALC

WIRE DIAGRAM AUTO START / STOP AND STEAM (2003)



WD - 2003 AUTO SS_STEAM 03:1914 ALC

