



PARTS LIST FOR
AIR COMPRESSORS
AM1-HH04/HS45-05M
AM1-HM04-05M

ENGINE OIL GRADE:	SAE 10W-30
ENGINE OIL CAPACITY	
HONDA:	20 oz.
MI-T-M:	16 oz.
SUBARU:	20 oz.
MAXIMUM PRESSURE	125 PSI
COMPRESSOR OIL GRADE:	SAE30W Non-Detergent
COMPRESSOR OIL CAPACITY:	7 oz.

This Parts Listing has been compiled for your benefit. You can be assured your Mi-T-M Gasoline Air Compressor was constructed and designed with quality and performance in mind. Each component has been rigorously tested to insure the highest level of acceptance.

The contents of this Parts Listing are based on the latest product information available at the time of publication. Mi-T-M reserves the right to make changes in price, color, materials, equipment, specifications or models at any time without notice.

WARNING
THIS IS A PROFESSIONAL GASOLINE AIR COMPRESSOR. CAUTION SHOULD BE OBSERVED WHEN USING OR REPAIRING THIS UNIT! READ AND FOLLOW THE SAFETY WARNINGS LISTED BELOW BEFORE ATTEMPTING ANY REPAIRS ON THIS GASOLINE AIR COMPRESSOR!

SAFETY WARNINGS

1. NEVER alter or modify the equipment. Be sure any accessory items and system components being used will withstand the pressure developed. Serious injury may occur from an air compressor malfunction or exploding accessories if incorrect system components, attachments or accessories are used. NEVER exceed manufactures maximum allowable pressure rating of attachments. Use only genuine Mi-T-M parts for repair of your air compressor. Failure to do so can cause hazardous operating conditions and will VOID warranty.
2. NEVER make adjustments on machinery while the unit is connected to the engine without first removing the ignition cable from the spark plug. Turning over the machinery by hand during adjustment or cleaning might start the engine and machinery with it, causing serious injury to the operator.
3. Know how to stop and bleed pressures quickly. Be thoroughly familiar with controls. Do not operate without protective covers/ guards.
4. Before servicing the unit, turn unit off, relieve the pressure and allow the unit to cool down. Service in a clean, dry, flat area. Block the wheels to prevent the unit from moving. Be especially careful to properly dispose of any flammable materials.
5. After testing the machine, DO NOT leave the pressurized unit unattended. Shut off the unit and release pressure before leaving.

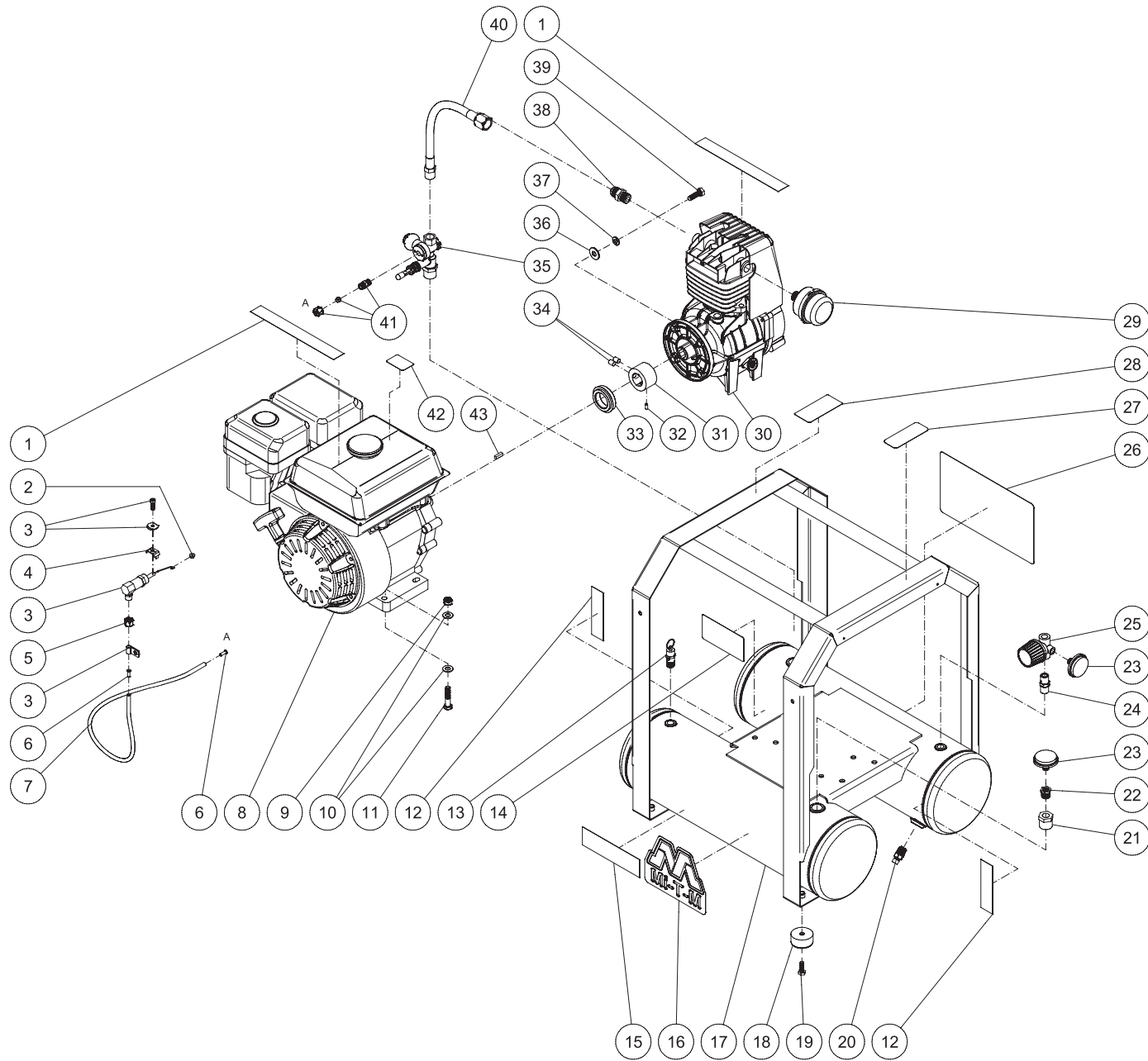
Table of Contents

SPECIFICATIONS.....	3
TANK ASSEMBLY FOR AM1-HH04-05M.....	4
TANK ASSEMBLY FOR AM1-HM04-05M.....	6
TANK ASSEMBLY FOR AM1-HS45-05M.....	8
SINGLE STAGE COMPRESSOR (3-0394).....	10

SPECIFICATIONS

MODEL NUMBER	AM1-HH04-05M	AM1-HS45-05M	AM1-HM04-05M
Engine:	Honda	Subaru	Mi-T-M
Horsepower	4.0	4.5	4.0
Oil Type	SAE 10W 30		
Oil Capacity	20 oz.		16 oz.
Low Oil Protection	Oil Alert™	Low Oil Shutdown	
Fuel Type	Unleaded Gasoline 86 Octane Minimum		
Fuel Capacity	0.66 Gallon		0.95 Gallon
RPM	3300		
Idle RPM	2200-2400		
Compressor Pump:			
Number of Cylinders	1		
Compression Stages	1		
Bore/Stroke	1.96" x 1.33"		
Lubrication	Splash		
Oil Quantity	7 oz.		
Oil Type	SAE30W Non-Detergent		
Crankcase	Aluminum		
Bearings	Needle		
Cylinder	Cast Iron Sleeved		
Valves	Reed		
Head	Aluminum		
Filter	Canister		
Pilot Valve Setting:			
Cut-out	125 PSI		
Cut-in	95 PSI		
Air Tank:			
Capacity	5 Gallons		
Performance:			
CFM Air Displacement	5.4		
CFM @ 40 PSI	5.0		
CFM @ 100 PSI	3.8		
Maximum Pressure	125 PSI		
Pump-up Time: 0-125 PSI	66 seconds		
Recovery Time: 90-125 PSI	17 seconds		
Working Pressure Range	95-125 PSI		
Weight:			
Net	76 lbs	79 lbs	
Shipping	84 lbs	87 lbs	
Dimensions:			
Basic L x W x H	21.5" x 17.25" x 21.75"		21.5" x 17.25" x 22.125"
Shipping L x W x H	24.5" x 17.5" x 22"		

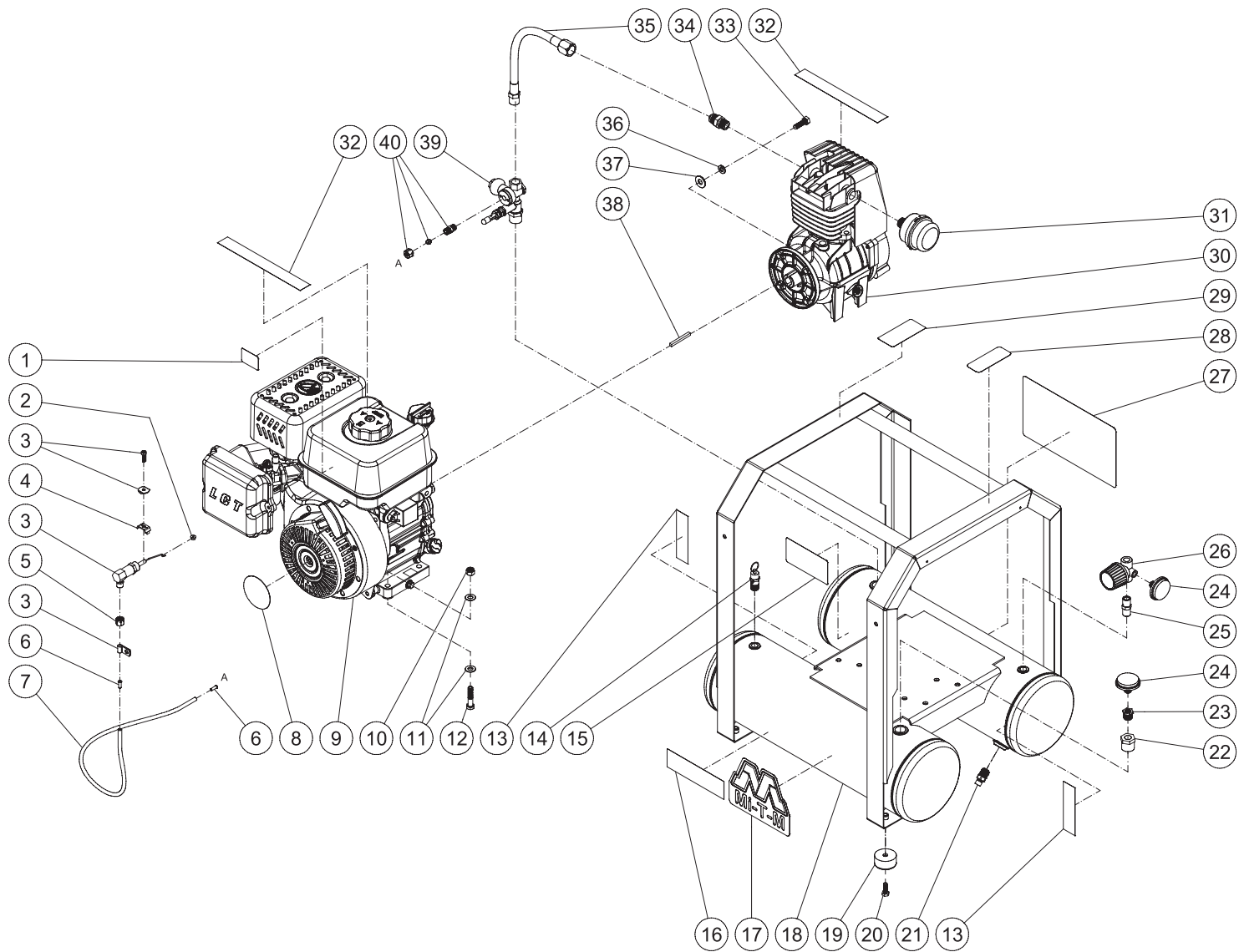
TANK ASSEMBLY FOR AM1-HH04-05M



AM1-HH04-05M-070114-RSW

AM1-HH04-05M 070114 RSW			
FRAME ASSEMBLY			
ITEM	DESCRIPTION	PART #	QTY
1	DECAL - CHECK OIL	N/A	2
2	ADAPTOR	62-0126	1
3	THROTTLE CONTROL	33-0392	1
4	CLIP	45-0084	1
5	NUT	23-0315	1
6	TUBE SUPPORT	23-0486	2
7	HOSE *(TWO FEET REQUIRED)	15-0238	1
8	ENGINE	1-0012	1
9	LOCKNUT	30-0157	4
10	WASHER	28-0003	8
11	BOLT	27-0069	4
12	DECAL - TANK DRAIN (SEE 71-2004)	N/A	2
13	SAFETY VALVE	22-0228	1
14	DECAL- SILVER STICKER	N/A	1
15	DECAL - 1.5" X 10.5" STRIPE (SEE 71-2004)	N/A	0.50
16	DECAL - Mi-T-M (SEE 71-2004)	N/A	1
17	TANK ASSEMBLY	12-0246A01	1
18	ISOLATOR	14-0069	4
19	BOLT	27-0015	4
20	PETCOCK	23-0312	2
21	REDUCER	23-0056	1
22	REDUCER	23-0111	1
23	PRESSURE GAUGE	22-0257	2
24	NIPPLE	24-0145	1
25	REGULATOR	22-0326	1
26	DECAL - CAUTION/WARNING/DANGER (SEE 71-2004)	N/A	1
27	DECAL - RISK OF BURNS (SEE 71-2004)	N/A	1
28	DECAL - MUFFLER HOT (SEE 71-2004)	N/A	1
29	AIR FILTER	19-0217	1
30	PUMP	3-0394	1
31	FIXING RING	N/A	1
32	SET SCREW	N/A	1
33	SPACER	N/A	1
34	SET SCREW	N/A	2
35	PILOT VALVE	22-0470	1
36	WASHER	28-0022	4
37	LOCKWASHER	29-0007	4
38	NIPPLE	24-0002	1
39	BOLT	27-0092	4
40	HOSE	15-0237	1
41	ADAPTER	23-0328	1
42	DECAL - ENGINE FUEL (SEE 71-2004)	N/A	1
43	KEY	43-0135	1
-	AIR COMPRESSOR DECAL SET	71-2004	1
*MUST ORDER IN ONE FOOT LENGTHS			

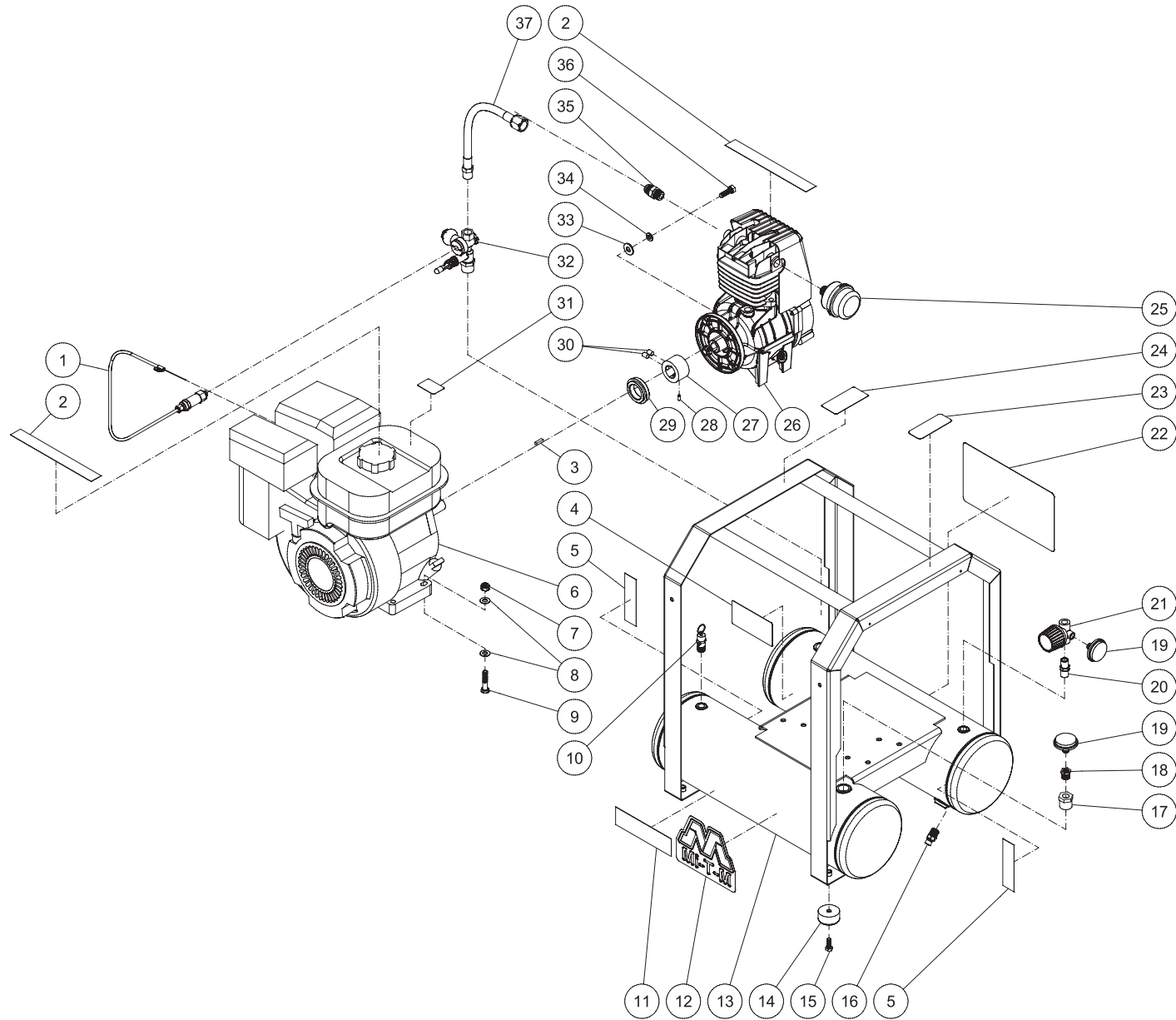
TANK ASSEMBLY FOR AM1-HM04-05M



AM1-HM04-05M 020414 RSW

AM1-HM04-05M 020414 RSW			
TANK ASSEMBLY			
ITEM	DESCRIPTION	Mi-T-M #	QTY
1	DECAL - ENGINE FUEL (SEE 71-2004)	N/A	1
2	ADAPTOR	62-0126	1
3	THROTTLE CONTROL	33-0392	1
4	CLIP	45-0084	1
5	NUT	23-0315	1
6	TUBE SUPPORT	23-0486	2
7	HOSE *(TWO FEET REQUIRED)	15-0238	1
8	DECAL - MI-T-M REWIND 136CC (SEE 71-2004)	N/A	1
9	ENGINE	1-0215	1
10	LOCKNUT	30-0157	4
11	WASHER	28-0003	8
12	BOLT	27-0069	4
13	DECAL - TANK DRAIN (SEE 71-2004)	N/A	2
14	SAFETY VALVE	22-0228	1
15	DECAL- SILVER STICKER	N/A	1
16	DECAL - 1.5" X 10.5" STRIPE (SEE 71-2004)	N/A	0.50'
17	DECAL - Mi-T-M (SEE 71-2004)	N/A	1
18	TANK ASSEMBLY	12-0246A01	1
19	ISOLATOR	14-0069	4
20	BOLT	27-0015	4
21	PETCOCK	23-0312	2
22	REDUCER	23-0056	1
23	REDUCER	23-0111	1
24	PRESSURE GAUGE	22-0257	2
25	NIPPLE	24-0145	1
26	REGULATOR	22-0326	1
27	DECAL - CAUTION/WARNING/DANGER (SEE 71-2004)	N/A	1
28	DECAL - RISK OF BURNS (SEE 71-2004)	N/A	1
29	DECAL - MUFFLER HOT (SEE 71-2004)	N/A	1
30	PUMP	3-0394	1
31	AIR FILTER	19-0217	1
32	DECAL - CHECK OIL	34-0816	2
33	BOLT	27-0092	4
34	NIPPLE	24-0002	1
35	HOSE	15-0237	1
36	LOCKWASHER	29-0007	4
37	WASHER	28-0022	4
38	KEY	43-0135	1
39	PILOT VALVE	22-0470	1
40	ADAPTER	23-0328	1
-	AIR COMPRESSOR DECAL SET	71-2004	1
*MUST ORDER IN ONE FOOT LENGTHS			

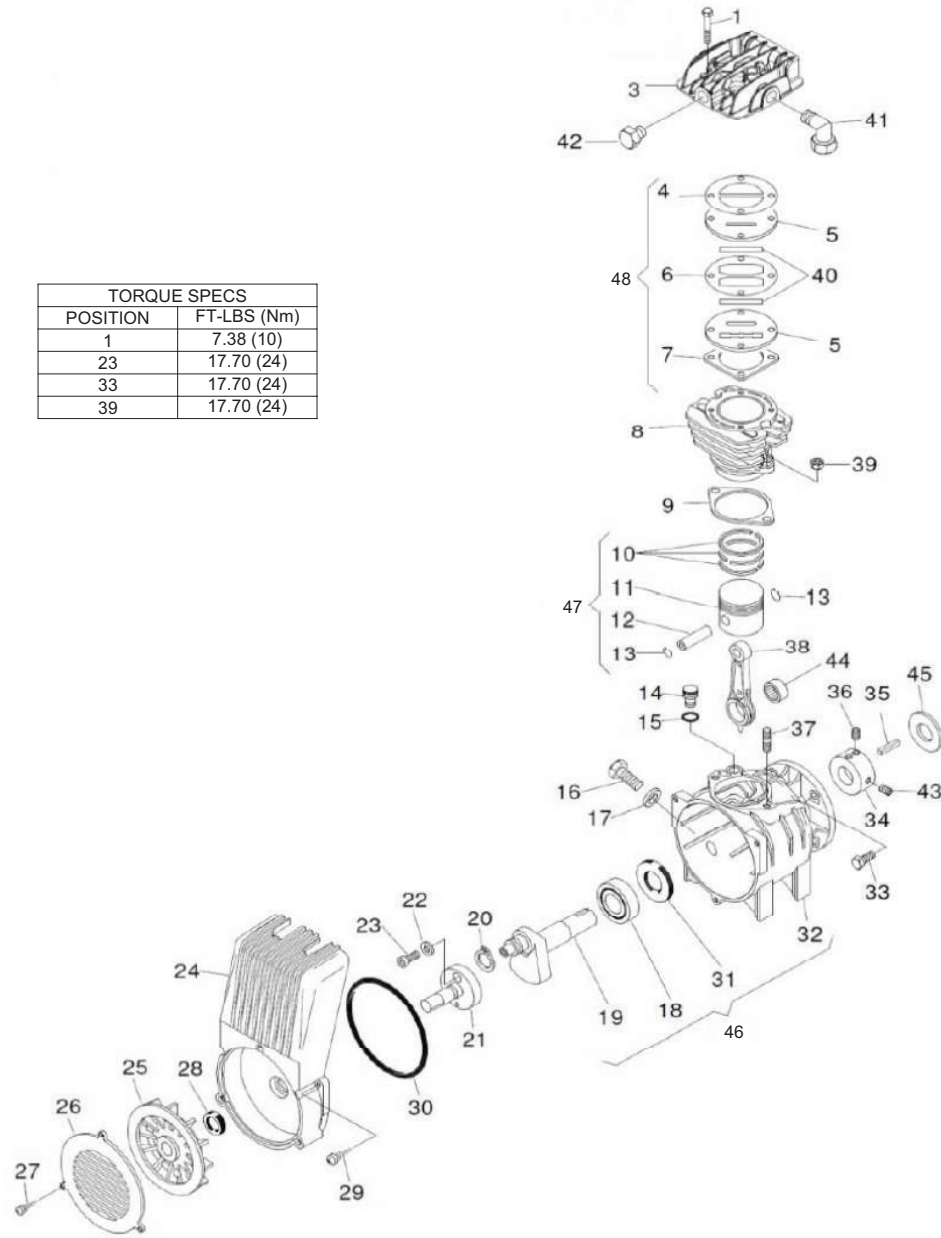
TANK ASSEMBLY FOR AM1-HS45-05M



AM1-HS45-05M 070114 RSW			
FRAME ASSEMBLY			
ITEM	DESCRIPTION	PART #	QTY
1	THROTTLE CONTROL	33-0399	1
2	DECAL - CHECK OIL	N/A	2
3	KEY	43-0135	1
4	DECAL- SILVER STICKER	N/A	1
5	DECAL - TANK DRAIN (SEE 71-2004)	N/A	2
6	ENGINE	1-0135	1
7	LOCKNUT	30-0157	4
8	WASHER	28-0003	8
9	BOLT	27-0069	4
10	SAFETY VALVE	22-0228	1
11	DECAL - 1.5" X 10.5" STRIPE (SEE 71-2004)	N/A	1
12	DECAL - Mi-T-M (SEE 71-2004)	N/A	1
13	TANK ASSEMBLY	12-0246A01	1
14	ISOLATOR	14-0069	4
15	BOLT	27-0015	4
16	PETCOCK	23-0312	2
17	REDUCER	23-0056	1
18	REDUCER	23-0111	1
19	PRESSURE GAUGE	22-0257	2
20	NIPPLE	24-0145	1
21	REGULATOR	22-0326	1
22	DECAL - CAUTION/WARNING/DANGER (SEE 71-2004)	N/A	1
23	DECAL - RISK OF BURNS (SEE 71-2004)	N/A	1
24	DECAL - MUFFLER HOT (SEE 71-2004)	N/A	1
25	AIR FILTER	19-0217	1
26	PUMP	3-0394	1
27	FIXING RING	N/A	1
28	SET SCREW	N/A	1
29	SPACER	N/A	1
30	SET SCREW	N/A	2
31	DECAL - ENGINE FUEL (SEE 71-2004)	N/A	1
32	PILOT VALVE	22-0470	1
33	WASHER	28-0022	4
34	LOCKWASHER	29-0007	4
35	NIPPLE	24-0002	1
36	BOLT	27-0092	4
37	HOSE	15-0237	1
-	AIR COMPRESSOR DECAL SET	71-2004	1

SINGLE STAGE COMPRESSOR (3-0394)

TORQUE SPECS	
POSITION	FT-LBS (Nm)
1	7.38 (10)
23	17.70 (24)
33	17.70 (24)
39	17.70 (24)



3-0394-123013-JDK

PUMP ASSEMBLY

ITEM	DESCRIPTION	PART #	QTY	ITEM	DESCRIPTION	PART #	QTY
1	SCREW	27-5027	4	26	GRILL	46-1553	1
3	PUMP HEAD	46-1548	1	27	SCREW	27-9608	3
4	GASKET KIT (SEE KIT 70-0636 OR 70-0637)	SEE KIT	1	28	OIL SEAL	46-1554	1
5	VALVE PLATE (SEE KIT 70-0636)	SEE KIT	2	29	SCREW	27-8863	3
6	GASKET KIT (SEE KIT 70-0636 OR 70-0637)	SEE KIT	1	30	O-RING	25-0675	1
7	GASKET KIT (SEE KIT 70-0636 OR 70-0637)	SEE KIT	1	31	SPACER RING (SEE KIT 70-0635)	SEE KIT	1
8	CYLINDER	46-1536	1	32	HOUSING - CRANKSHAFT (SEE KIT 70-0635)	SEE KIT	1
9	GASKET KIT (SEE KIT 70-0636 OR 70-0637)	SEE KIT	1	33	SCREW	27-0092	4
10	PISTON RINGS (SEE KIT 70-0634)	SEE KIT	1	34	FIXING RING	46-1555	1
11	PISTON (SEE KIT 70-0634)	SEE KIT	1	35	KEY	43-0135	1
12	PISTON PIN (SEE KIT 70-0634)	SEE KIT	1	36	SCREW	27-9606	2
13	SNAP RING (SEE KIT 70-0634)	SEE KIT	2	37	STUD BOLT	46-1556	2
14	BREATHER PIPE PLUG	39-0367	1	38	CONNECTING RING	46-1557	1
15	O-RING	25-0674	1	39	NUT	30-0058	2
16	PLUG	39-0368	1	40	VALVES (SEE KIT 70-0636)	SEE KIT	1
17	GASKET	26-0392	1	41	ELBOW	23-0510	1
18	BEARING (SEE KIT 70-0635)	48-0097	1	42	PLUG	39-0369	1
19	CRANKSHAFT (SEE KIT 70-0635)	SEE KIT	1	43	SCREW	27-8895	1
20	SNAP RING	46-1549	1	44	BEARING	48-0099	1
21	FAN SHAFT	46-1550	1	45	SPACER	46-1558	1
22	WASHER	28-0003	1	46	KIT - CRANKCASE/CRANKSHAFT - (INC. 4,7,6,9)	70-0635	1
23	SCREW	27-8432	1	47	KIT - PISTONS - (INC. 10-13)	70-0634	1
24	HOUSING - FAN	46-1551	1	48	KIT - GASKETS - (INC. 4,6,7,9)	70-0637	1
25	FAN	46-1552	1	-	KIT - VALVE PLATES - (INC. 4-7, 9, 40)	70-0636	1

Manufactured by Mi-T-M
8650 Enterprise Drive, Peosta IA 52068
563-556-7484/ Fax 563-556-1235