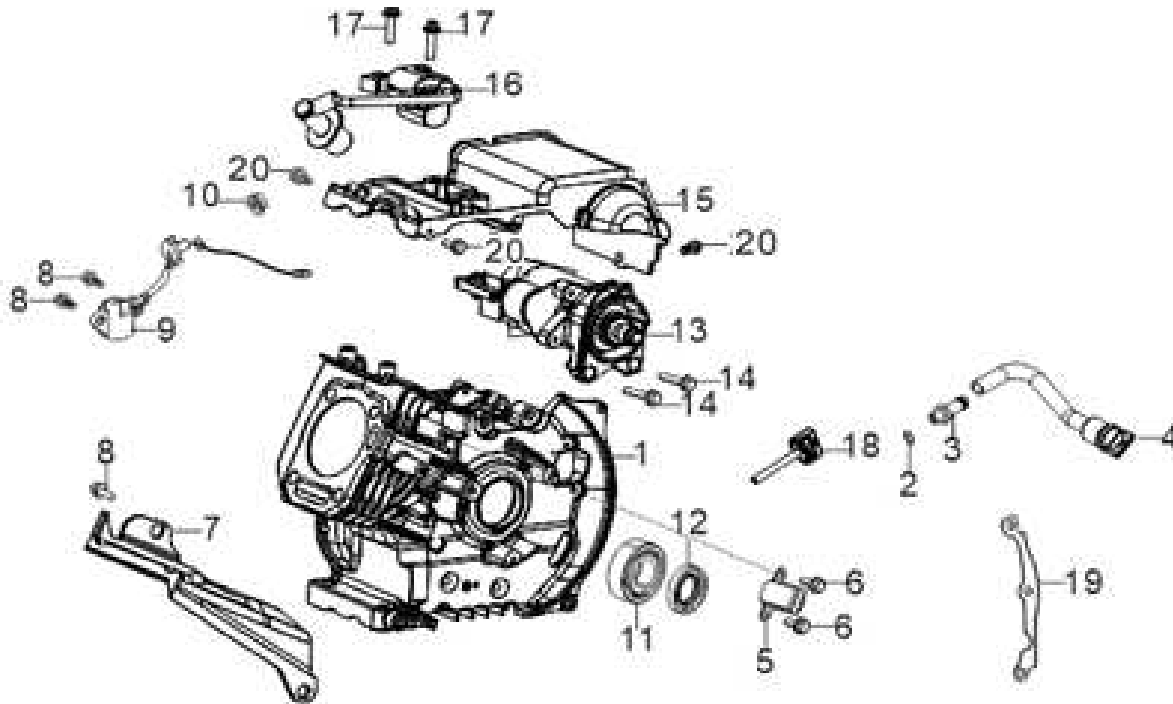


4000W INVERTER MITM GENERATOR



DATE:	DESCRIPTION:

FIG.1 CRANKCASE/COVER SUBASSEMBLY

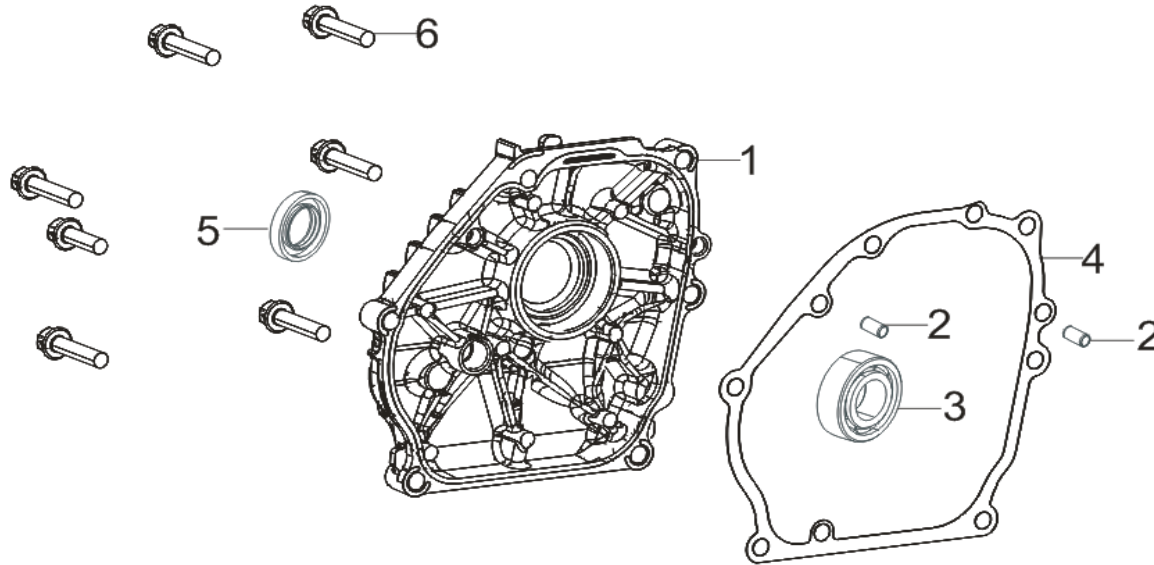


REF NO.	DESCRIPTION	QTY	MITM #
1-01	CRANKCASE SUBASSEMBLY	1	80-0375
1-02	FLAT WASHER	1	80-0390
1-03	DRAIN PLUG	1	80-0391
1-04	DRAIN ASSY	1	80-0392
1-05	IGNITION COIL, TRIGGER	1	80-0393
1-06	BOLT - IGNITION COIL, TRIGGER	2	45-0445
1-07	BODY RIGHT SHIELD	1	80-0395
1-08	BOLT	3	80-0365

FIG.1 CRANKCASE/COVER SUBASSEMBLY CONTINUED

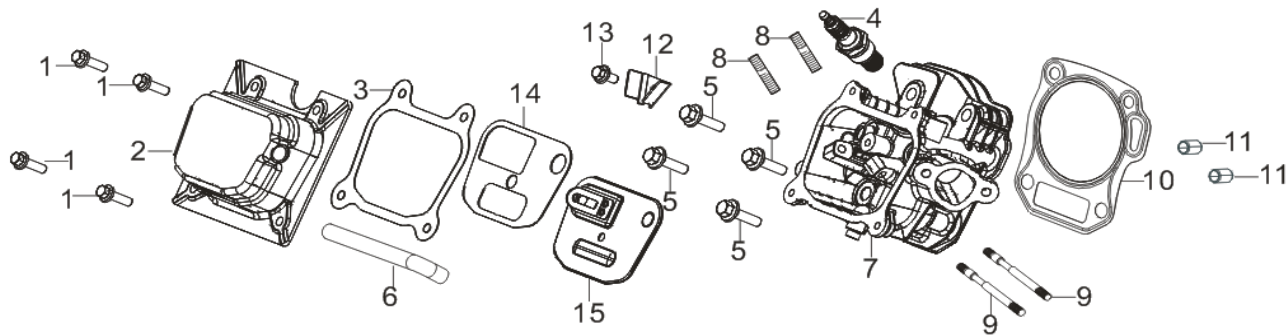
1-09	SENSOR, ENGINE OIL	1	45-0474
1-10	HEXAGON NUT WITH FLANGE	1	80-0396
1-11	DEEP GROOVE BALL BEARING	1	80-0397
1-12	SEAL, OIL	1	80-0398
1-13	STARTING MOTOR ASSEMBLY	1	80-0399
1-14	BOLT - STARTING MOTOR ASSEMBLY	2	80-0400
1-15	SHIELD COVER	1	80-0401
1-16	COIL, IGNITION	1	80-0402
1-17	BOLT -COIL, IGNITION	2	80-0400
1-18	DIPSTICK SUBASSEMBLY, OIL	1	80-0403
1-19	BOARD, WIND	1	80-0404
1-20	BOLT - SHIELD COVER	3	80-0405

FIG.2 COVER SUBASSEMBLY, CRANKCASE



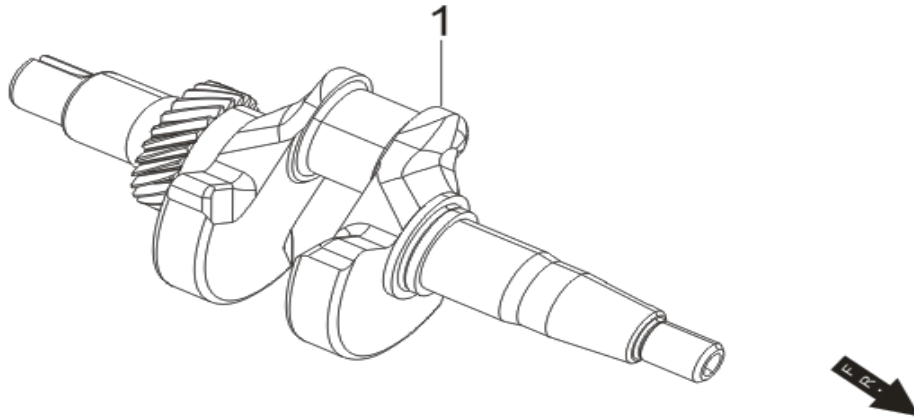
REF NO.	DESCRIPTION	QTY	MITM #
2-01	COVER, CRANKCASE	1	80-0406
2-02	POSITION PIN	2	80-0407
2-03	DEEP GROOVE BALL BEARING	1	80-0408
2-04	GASKET, CRANKCASE	1	80-0409
2-05	SEAL, OIL	1	80-0398
2-06	BOLT - COVER, CRANKCASE	6	80-0410

FIG.3 HEAD SUBASSEMBLY, CYLINDER / SPARK PLUG



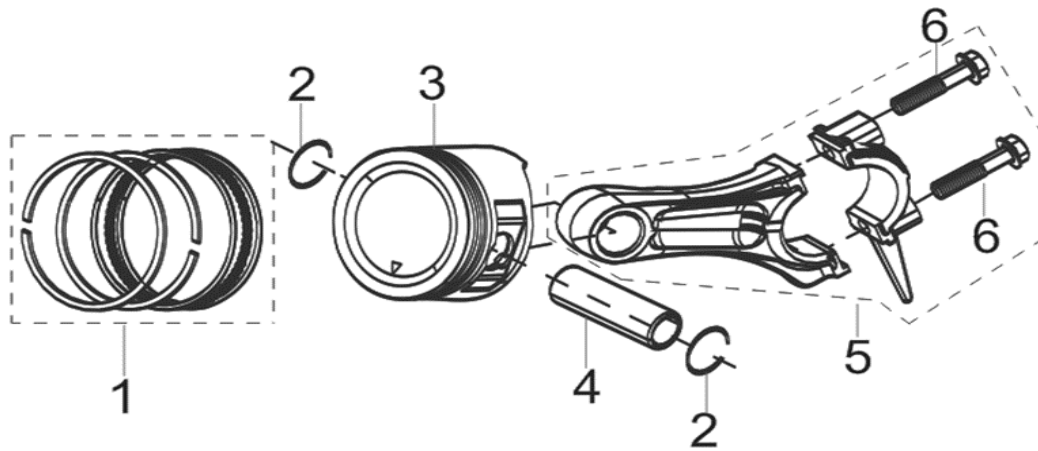
REF NO.	DESCRIPTION	QTY	MITM #
3-01	BOLT - COVER SUBASSEMBLY, CYLINDER HEAD	4	80-0411
3-02	COVER SUBASSEMBLY, CYLINDER HEAD	1	80-0412
3-03	CYLINDER HEAD COVER GASKET	1	80-0413
3-04	PLUG, SPARK	1	80-0414
3-05	CYLINDER HEAD BOLT	4	80-0415
3-06	TUBE, BREATHER	1	80-0416
3-07	HEAD SUBASSEMBLY, CYLINDER	1	80-0417
3-08	STUD BOLT	2	80-0418
3-09	STUD BOLT	2	80-0419
3-10	GASKET, CYLINDER HEAD	1	80-0420
3-11	POSITION PIN	2	80-0421
3-12	CYLINDER HEAD COVER PIN LIMIT PLATE	1	80-0422
3-13	BOLT	1	80-0405
3-14	GASKET, BREATH GROOVE	1	80-0423
3-15	STOP ENGINE PIECE SUBASSEMBLY	1	80-0424

FIG.4 CRANKSHAFT CONNECTING ROD



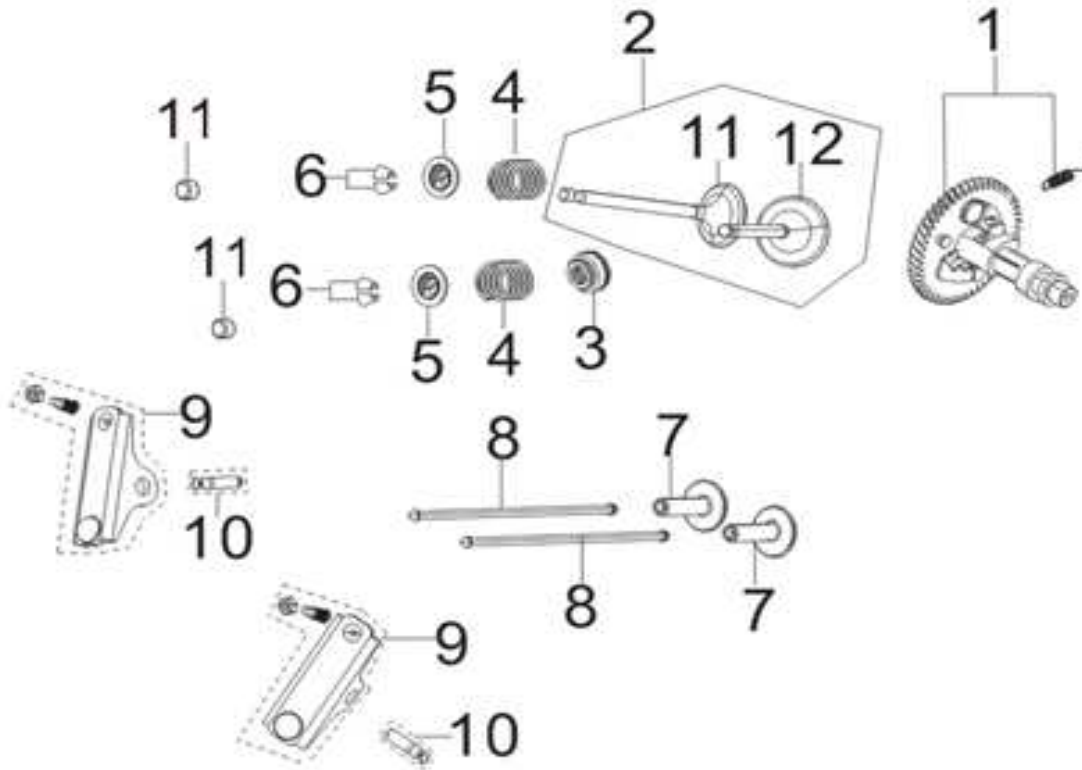
REF NO.	DESCRIPTION	QTY	MITM #
4-01	CRANKSHAFT ASSY.	1	80-0425

FIG.5 RING SET,OIL / ROD,CRANKSHAFT CONNECTING



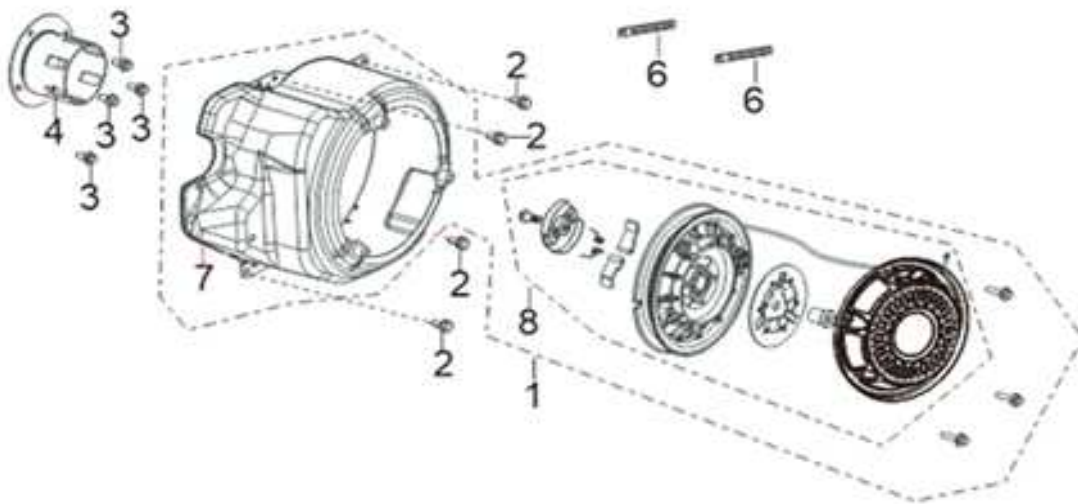
REF NO.	DESCRIPTION	QTY	MITM #
5-01	RING ASSY, PISTON	1	80-0426
5-02	CLIP, PISTON PIN	2	80-0427
5-03	PISTON	1	80-0428
5-04	PIN, PISTON	1	80-0429
5-05	ROD, CONNECTING	1	80-0430

FIG.6 TRAIN, VALVE / CAMSHAFT SUBASSEMBLY



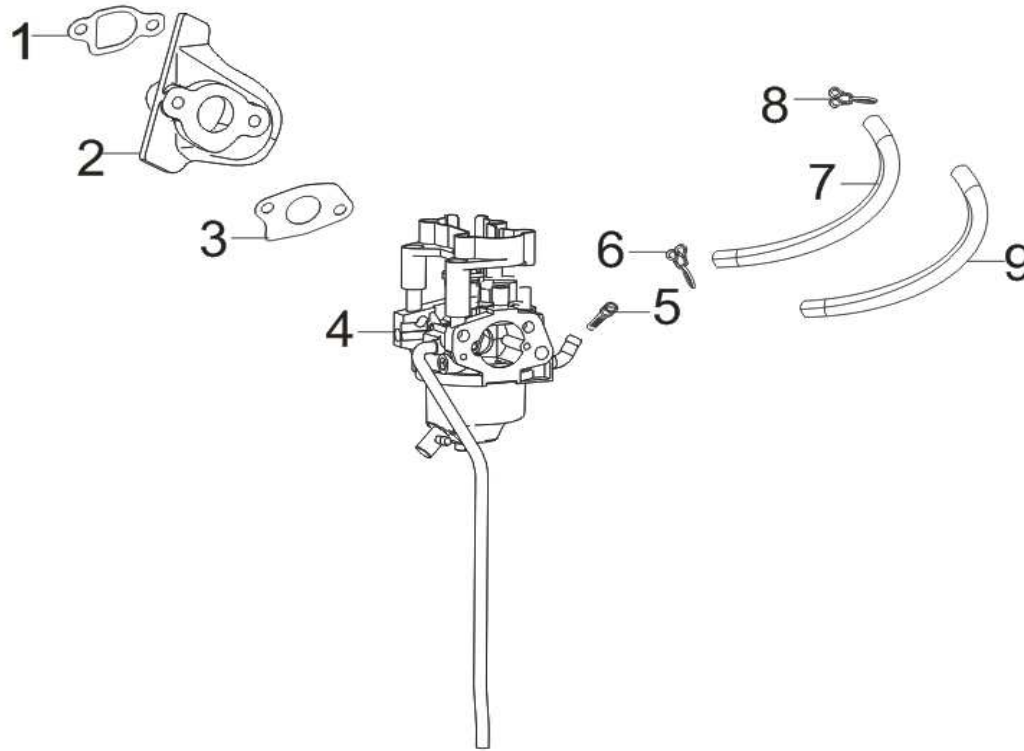
REF NO.	DESCRIPTION	QTY	MITM #
6-01	CAMSHAFT ASSY.	1	80-0431
6-02	VALVE SET	1	80-0432
6-03	GUIDE, SEAL	1	80-0433
6-04	SPRING, VALVE	2	80-0434
6-05	SEAT, VALVE SPRING	2	80-0435
6-06	CLAMP, VALVE LOCK	4	80-0436
6-07	TAPPET, VALVE	2	80-0437
6-08	LIFTER, VALVE	2	80-0438
6-09	ROCKER SUBASSEMBLY, VALVE	2	80-0439
6-10	SHAFT SUBASSEMBLY, ROCKER	2	80-0440
6-11	ROTATOR, VALVE	2	80-0441

FIG.7 STARTER, RECOIL



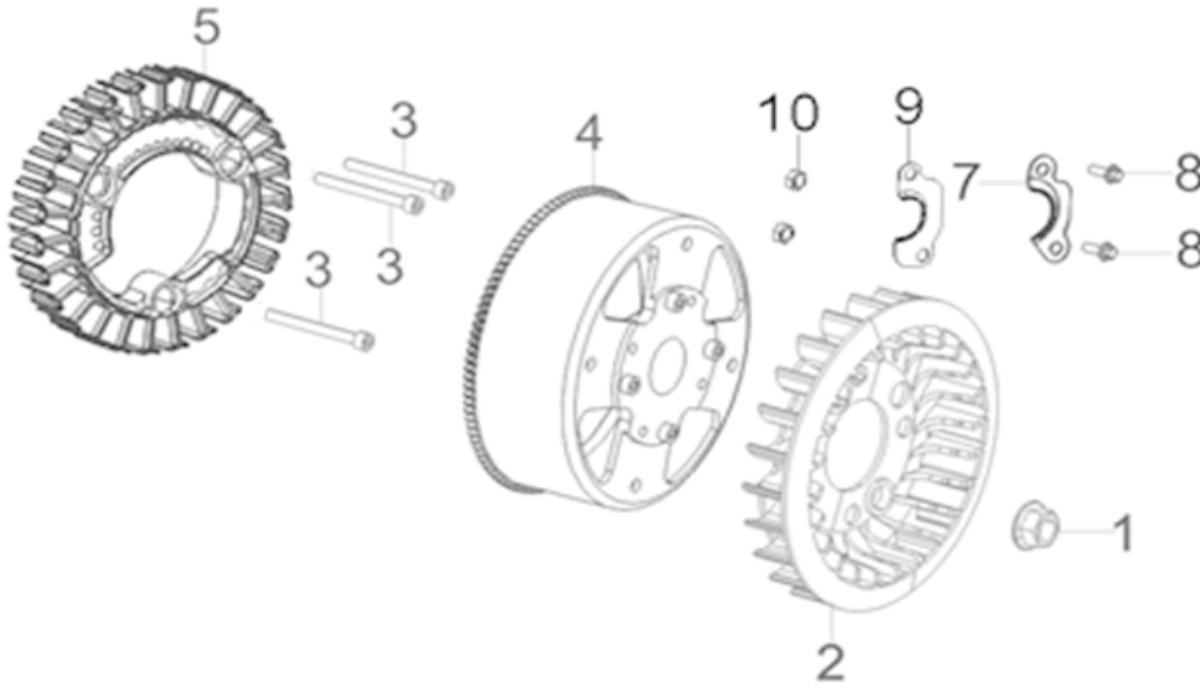
REF NO.	DESCRIPTION	QTY	MITM #
7-01	RECOIL STARTER ASSEMBLY	1	80-0442
7-02	BOLT	4	80-0365
7-03	BOLT	4	80-0365
7-04	PULLEY,STARTER	1	80-0443
7-06	WIRE CLIP	2	45-0335
7-07	ENGINE SHROUD	1	80-0444
7-08	RECOIL STARTER	1	80-0445

FIG.8 CARBURETOR ASSY



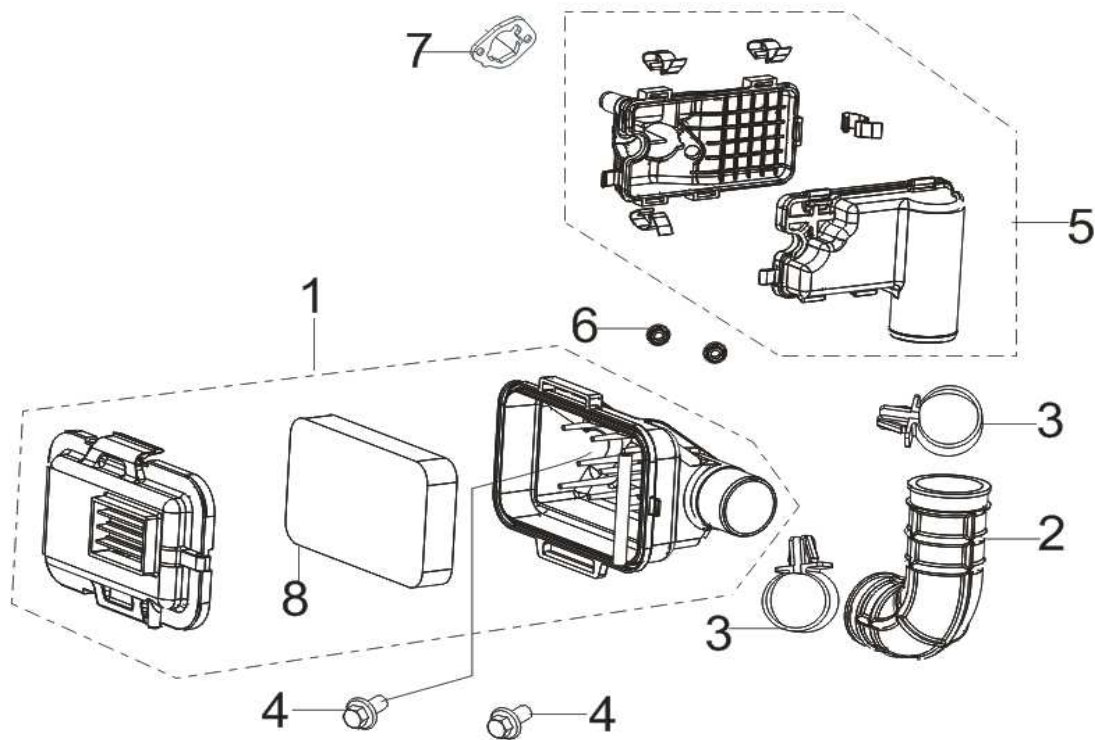
REF NO.	DESCRIPTION	QTY	MITM #
8-01	GASKET, CARBURETOR INSULATOR	1	80-0446
8-02	PLATE, CARBURETOR INSULATOR	1	80-0447
8-03	CARBURETOR SEAL GASKET	1	80-0448
8-04	CARBURETOR ASSY.	1	80-0449
8-05	STRAINER, FUEL	1	80-0450
8-06	PIPE CLAMP	1	80-0451
8-07	TUBE, FUEL	1	80-0452
8-08	PIPE CLAMP	1	80-0453
8-09	JACKET, RUBBER	1	80-0454

FIG.9 FLYWHEEL / IMPELLER / STARTER PULLEY / IGNITION COIL



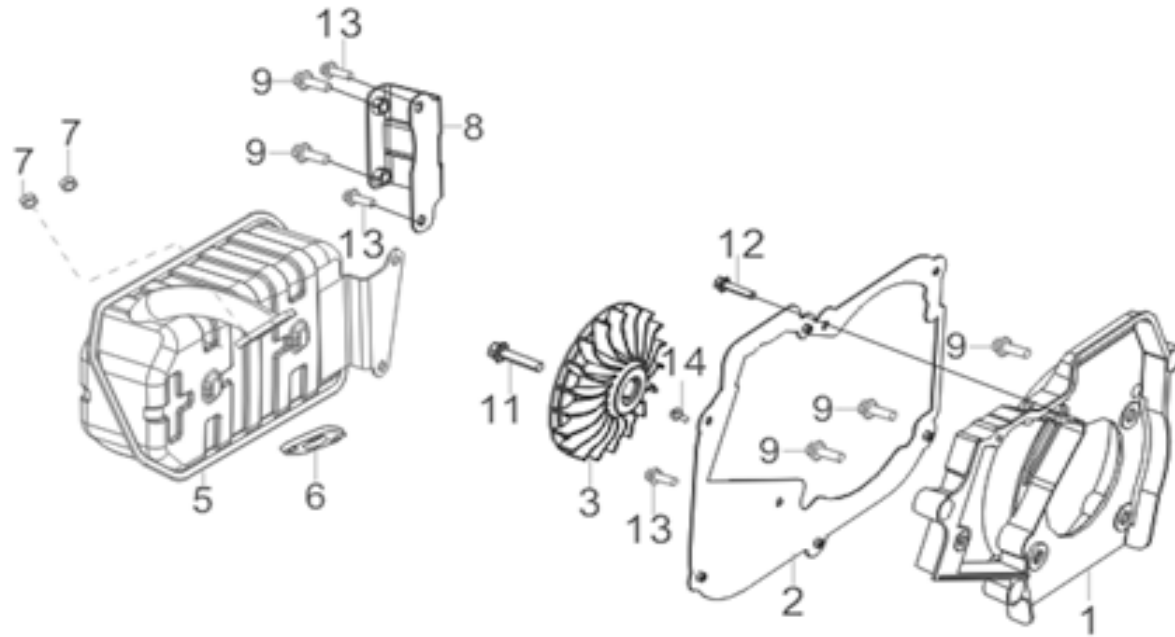
REF NO.	DESCRIPTION	QTY	MITM #
9-01	NUT, FLYWHEEL	1	80-0455
9-02	IMPELLER	1	80-0456
9-03	BOLT - STATOR SUBASSEMBLY, MAGNET	3	80-0457
9-04	CASE SUBASSEMBLY, MAGNET ROTOR	1	80-0458
9-05	STATOR SUBASSEMBLY, MAGNET	1	80-0459
9-07	CLAMP, MAGNET WIRING	1	80-0460
9-08	BOLT - MAGNET WIRING	2	80-0461
9-09	TENSION DISC	1	80-0462
9-10	HEXAGON NUT WITH FLANGE	2	80-0463

FIG.10 AIR CLEANER



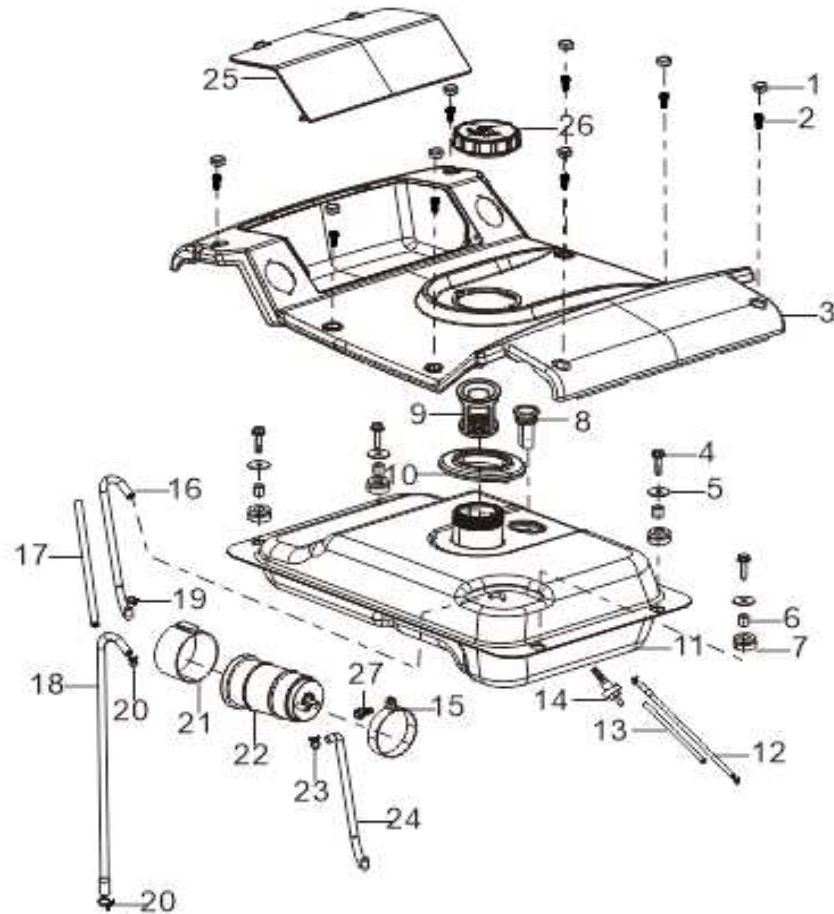
REF NO.	DESCRIPTION	QTY	MITM #
10-01	AIR CLEANER	1	80-0464
10-02	TUBE, INTAKE	1	80-0465
10-03	INTAKE PIPE HOOP	2	80-0466
10-04	BOLT - AIR CLEANER	2	80-0467
10-05	SECONDARY AIR CLEANER	1	80-0468
10-06	HEXAGON NUT WITH FLANGE	2	45-0324
10-07	AIR CLEANER SEAL GASKET	1	80-0470
10-08	AIR FILTER	1	80-0663

FIG.11 MUFFLER ASSY



REF NO.	DESCRIPTION	QTY	MITM #
11-01	SHROUD	1	80-0471
11-02	MUFFLER OUTER COVER MOUNTING BRACKET	1	80-0472
11-03	IMPELLER	1	80-0473
11-05	MUFFLER ASSY.	1	80-0474
11-06	GASKET, EXHAUST OUTLET	1	80-0475
11-07	TYPE 1 HEXAGON NUT	2	80-0476
11-08	BRACKET,MUFFLER	1	80-0477
11-09	BOLT - BRACKET,MUFFLER	5	80-0478
11-11	BOLT - IMPELLER	1	80-0479
11-12	BOLT - MUFFLER MOUNTING BRACKET	1	80-0480
11-13	BOLT	3	80-0481
11-14	SELF-TAPPING SCREW	1	80-0482

FIG.12 FUEL TANK ASSY

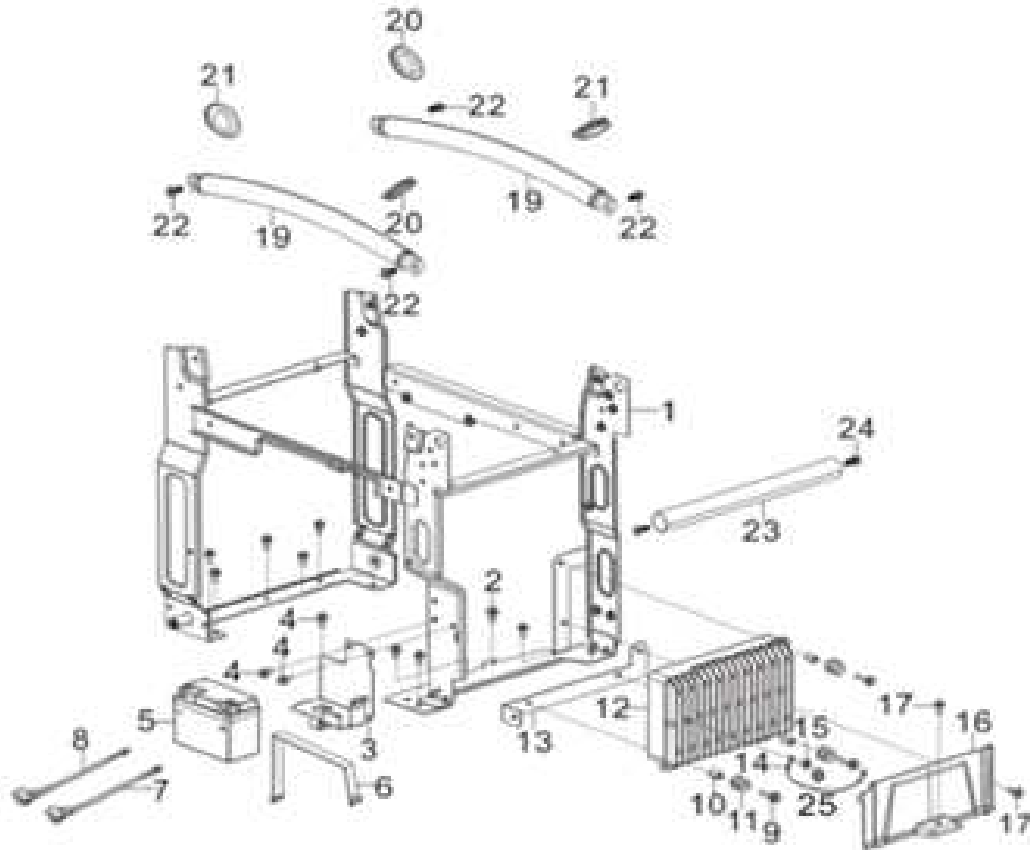


REF NO.	DESCRIPTION	QTY	MITM #
12-01	PLUG, END	8	80-0483
12-02	FLANGED HHCS M5 X 0.8 16MM	8	80-0370
12-03	COVER, UPPER	1	80-0484
12-04	FLANGED HHCS M6 X 1.0 25MM	4	80-0467
12-05	FLAT WASHER - GRADE A	4	80-0485
12-06	BUSHING	4	80-0486
12-07	SLEEVE, FUEL TANK RUBBER	4	80-0004

FIG.12 FUEL TANK ASSY CONTINUED

12-08	LEVELER ASSY, OIL	1	80-0487
12-09	STRAINER, FUEL	1	80-0488
12-10	SLEEVE, FILLING OIL HOLE RUBBER	1	80-0489
12-11	FUEL TANK	1	80-0490
12-12	TUBE, FUEL	1	80-0491
12-13	JACKET, RUBBER	1	80-0492
12-14	OUTLET SUBASSEMBLY, FUEL TANK OIL	1	80-0493
12-15	FUEL STEAM COLLECTOR MOUNTING PLATE	1	80-0494
12-16	HOSE, FUEL STEAM RUBBER	1	80-0495
12-17	JACKET, RUBBER	1	80-0496
12-18	HOSE, AIR CLEANER RUBBER	1	80-0497
12-19	PIPE CLAMP	1	80-0498
12-20	PIPE CLAMP	2	80-0499
12-21	JACKET, RUBBER	1	80-0500
12-22	CARBON CANISTER	1	80-0501
12-23	PIPE CLAMP	1	80-0498
12-24	HOSE, FUEL STEAM RUBBER	1	80-0502
12-25	COVER, DECORATED	1	80-0503
12-26	FUEL CAP	1	80-0504
12-27	FLANGED HHCS	1	80-0365

FIG.13 FRAME

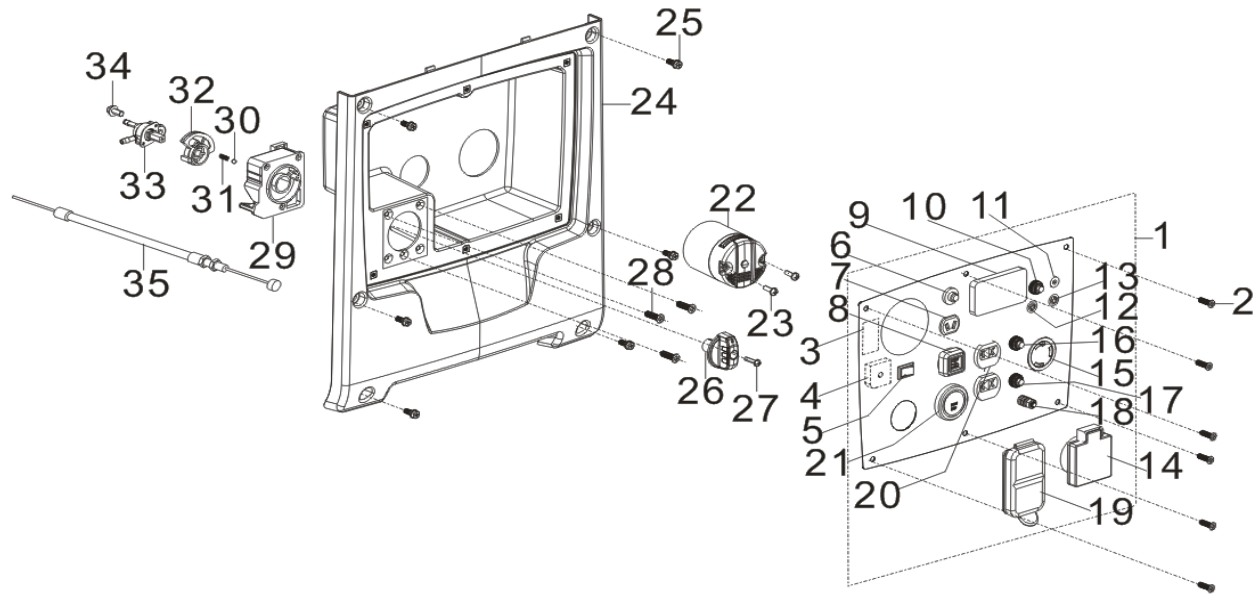


REF NO.	DESCRIPTION	QTY	MITM #
13-01	FRAME ASSY	1	80-0505
13-02	FLANGED HHCS M5 X 1 12MM	9	80-0405
13-03	CASE, BATTERY	1	80-0506
13-04	FLANGED HHCS M5 X 1 12MM	3	80-0405
13-05	BATTERY	1	80-0507
13-06	BAND, BATTERY	1	80-0508
13-07	WIRE, ANODE	1	80-0509
13-08	WIRE, CATHODE	1	80-0510

FIG.13 FRAME CONTINUED

13-09	FLANGED HHCS M6 X 1.0 25MM	3	80-0467
13-10	BUSH	3	80-0511
13-11	JACKET, RUBBER	3	80-0512
13-12	INVERTOR	1	80-0513
13-13	INVERTOR MOUNTING RACK	1	80-0514
13-14	GROUNDING	1	80-0515
13-15	CROSS-RECESSED PAN HEAD SCREW	1	80-0516
13-16	COVER, INVERTOR OUTER	1	80-0517
13-17	FLANGED HHCS M5 X 1 12MM	2	80-0405
13-19	HANDLE	2	80-0518
13-20	HANDLE RUBBER SLEEVE	2	80-0519
13-21	HANDLE RUBBER SLEEVE	2	80-0520
13-22	FLANGED HHCS M6 X 1.0 30MM	4	80-0521
13-23	CONNECTION TUBE - FRAME	1	80-0522
13-24	FLANGED HHCS M5 X 1 12MM	2	80-0405
13-25	FLAT WASHER	1	80-0523

FIG.14 CONTROL PANEL ASSEMBLY, PANEL HOLDER



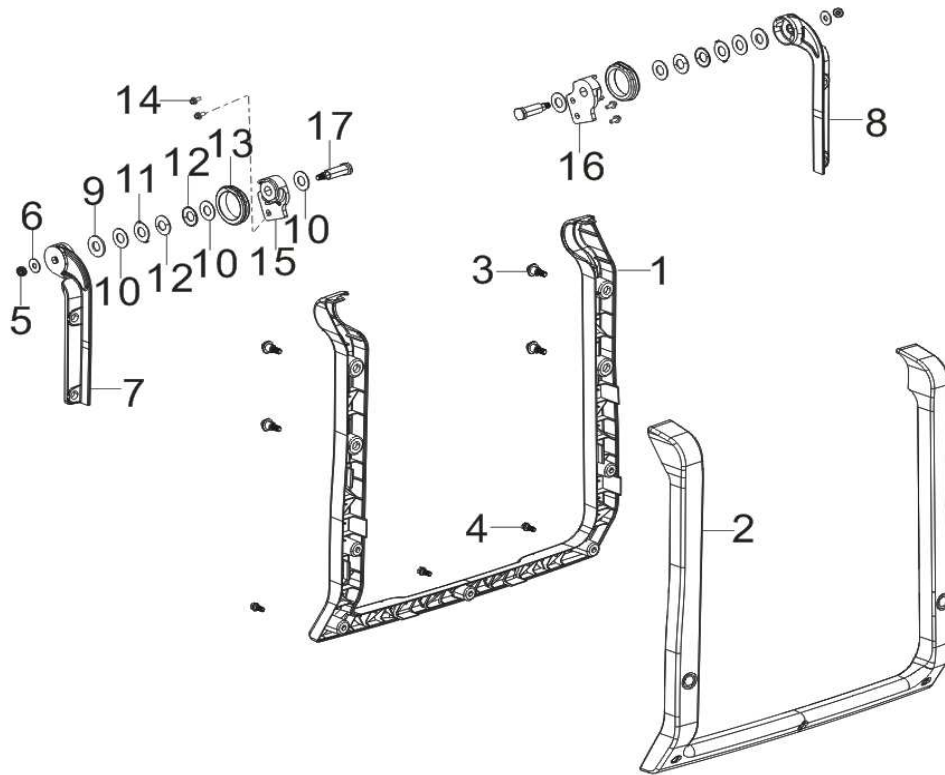
REF NO.	DESCRIPTION	QTY	MITM #
14-01	PANEL SUBASSEMBLY, CONTROL	1	80-0524
14-02	FLANGED HHCS M5 X 0.8 12MM	6	80-0373
14-03	CONTROLLER - GEN CO SHUTDOWN	1	80-0525
14-04	BRIDGE, RECTIFICATION	1	80-0526
14-05	SWITCH SUBASSEMBLY	1	80-0363
14-06	PROTECTOR, OVERCURRENT	1	80-0527
14-07	SOCKET SUBASSEMBLY, D.C	1	80-0362
14-08	DUAL USB, D.C	1	80-0381

FIG.14 CONTROL PANEL ASSEMBLY, PANEL HOLDER CONTINUED

14-09	DIGITAL DISPLAY	1	80-0528
14-10	BUTTON, RESETTING	1	80-0273
14-11	BATTERY CHARGE, D.C	1	80-0529
14-12	PARALL RECEPTACLE- LEFT LIGHT	1	80-0530
14-13	PARALL RECEPTACLE-RIGHT LIGHT	1	80-0173
14-14	RAIN COVER RECEPTACLE	1	80-0531
14-15	TWIST LOCK 120V/30A	1	80-0532
14-16	PROTECTOR, OVERCURRENT	1	80-0533
14-17	PROTECTOR, OVERCURRENT	1	80-0534
14-18	TERMINAL SUBASSEMBLY, GROUNDING	1	80-0180
14-19	RAIN COVER RECEPTACLE	1	80-0360
14-20	GFCI RECEPTACLE 120V/20A	1	80-0380
14-21	PUSH-TO-START SWITCH	1	80-0535
14-22	CO ALARM	1	80-0361
14-23	TRBHS M4 x 0.7 35MM	2	80-0364
14-24	HOUSING, PANEL	1	80-0536
14-25	FLANGED HHCS	6	80-0370
14-26	KNOB	1	80-0376
14-27	CROSS-RECESSED PAN HEAD SCREW	1	80-0537
14-28	COUNTERSUNK HEAD TAPPING SCREW	3	80-0538
14-29	SWITCH SUBASSEMBLY	1	80-0539
14-30	BALL, STEEL	1	80-0540
14-31	SPRING, STOPPER ADJUSTING	1	80-0541
14-32	COVER PLATE	1	80-0542
14-33	FUEL VALVE ASSY	1	80-0543
14-34	BOLT	1	80-0372
14-35	HANDLE SUBASSEMBLY, CHOKE	1	80-0286

N/A	CHARGING CORD	1	80-0952
-----	---------------	---	---------

FIG.15 HANDLE

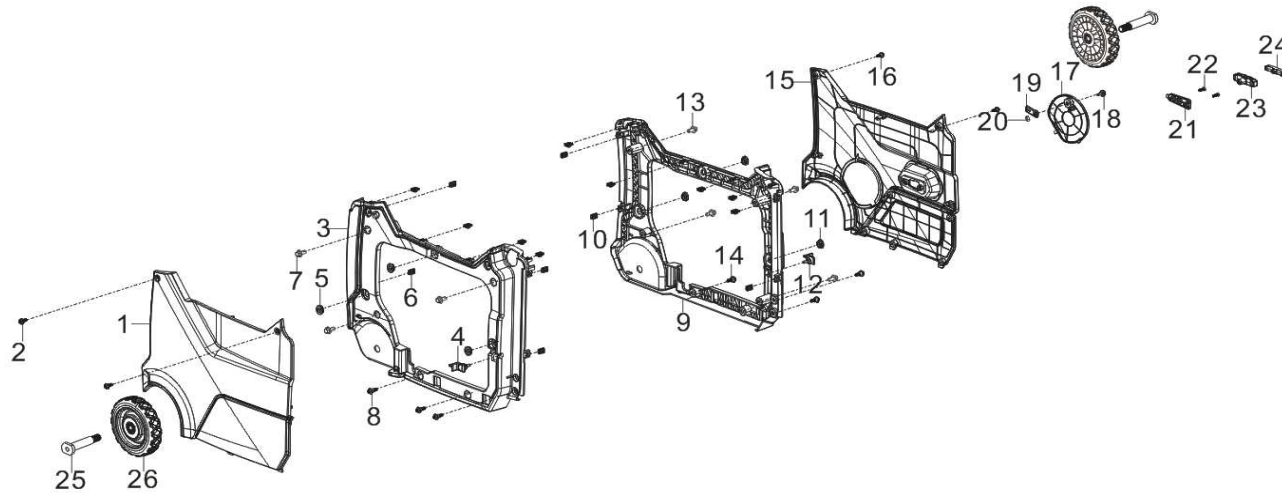


REF NO.	DESCRIPTION	QTY	MITM #
15-01	BOTTOM TUBE, HANDLE	1	80-0544
15-02	TOP TUBE, HANDLE	1	80-0545
15-03	HEXAGONAL STEP BOLT	4	80-0546
15-04	HEXAGONAL STEP BOLT	3	80-0339
15-05	NYLON NUT	2	80-0547
15-06	FLAT WASHER - GRADE A	2	80-0548
15-07	HANDLE TUBE CONNECTING SEAT 2	1	80-0549
15-08	HANDLE TUBE CONNECTING SEAT 2	1	80-0550
15-09	FLAT WASHER	2	80-0551
15-10	FLAT WASHER	4	80-0552

FIG.15 HANDLE CONTINUED

15-11	GASKET, LOCKING	2	80-0553
15-12	DISC WASHER	4	80-0554
15-13	SLEEVE, HANDLE RUBBER	2	80-0555
15-14	BOLT	4	80-0556
15-15	SEAT, HANDLE TUBE CONNECTING	1	80-0557
15-16	SEAT, HANDLE TUBE CONNECTING	1	80-0558
15-17	FIXED AXLE	2	80-0559

FIG.16 SHELL, DECORATIVE PLATE

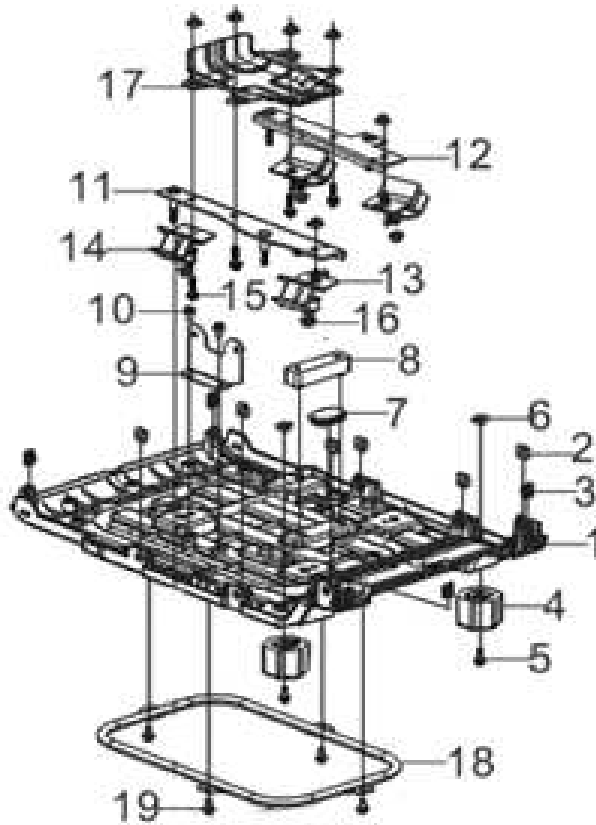


REF NO.	DESCRIPTION	QTY	MITM #
16-01	SOLID COVER PANEL, MITM	1	80-0560
16-02	SCREW - LEFT SIDE COVER	2	80-0561
16-03	HOUSING, SOLID PANEL SIDE	1	80-0562
16-04	HANDLE TUBE CONNECTING SEAT	1	80-0563
16-05	SLEEVE, FUEL TANK RUBBER	3	80-0147
16-06	CLIP NUT	8	80-0564
16-07	FLANGED HHCS M5 X 1 12MM	3	80-0405
16-08	HEXAGONAL STEP BOLT	3	80-0546
16-09	RECOIL SIDE HOUSING	1	80-0565
16-10	CLIP NUT	8	80-0564

FIG.16 SHELL, DECORATIVE PLATE CONTINUED

16-11	SLEEVE, FUEL TANK RUBBER	3	80-0147
16-12	HANDLE TUBE CONNECTING SEAT	1	80-0563
16-13	FLANGED HHCS M5 X 1 12MM	4	80-0405
16-14	HEXAGONAL STEP BOLT	3	80-0546
16-15	RECOIL SIDE COVER PLATE, MITM	1	80-0566
16-16	SCREW - RIGHT SIDE COVER	2	80-0561
16-17	RIGHT ACCESS DOOR	1	80-0567
16-18	HEXAGONAL STEP BOLT	1	80-0310
16-19	STOPPER	1	80-0568
16-20	NYLON NUT	1	80-0569
16-21	GUIDE , STARTING ROPE	2	80-0340
16-22	SCREW - RECOIL STARTER	2	45-0718
16-23	SLEEVE, CABLE HANDLE OUTER	16	80-0570
16-24	CORE, CABLE HANDLE	2	80-0571
16-25	AXLE, FRONT WHEEL	2	80-0572
16-26	WHEEL, FRONT	2	80-0573

FIG.17 BACKPLATE, INVERTER

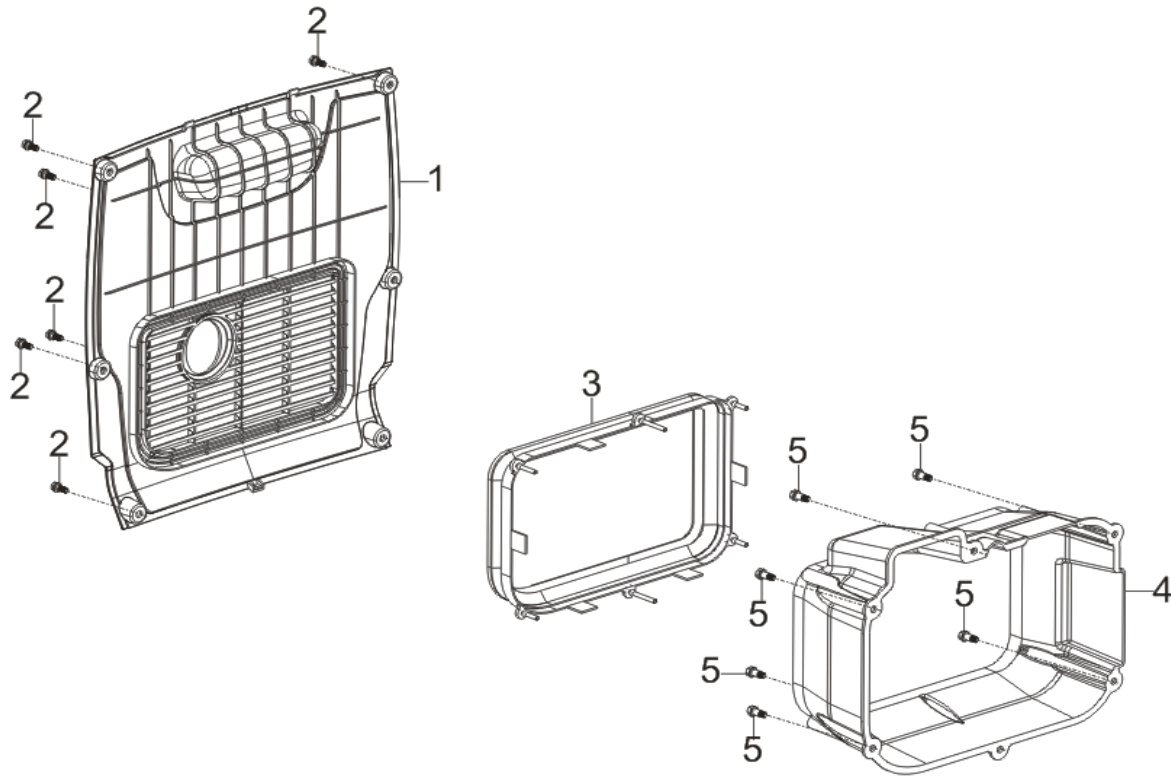


REF NO.	DESCRIPTION	QTY	MITM #
17-01	PLATE, BOTTOM	1	80-0574
17-02	NUT	6	80-0575
17-03	CLIP NUT	4	80-0564
17-04	SEAT, ENGINE FRAME SHOCK ABSORPTION	2	80-0576
17-05	FLANGED HHCS M6 X 1.0 15MM	2	80-0365
17-06	NUT	2	80-0575
17-07	PLUG, END	1	80-0577
17-08	BUFFERING PAD SUPPORT	1	80-0578
17-09	SUPPORT, ATR CLEANER	1	80-0579
17-10	FLANGED HHCS M5 X 1 12MM	2	80-0405

FIG.17 BACKPLATE, INVERTER CONTINUED

17-11	LEFT ENGINE SUPPORT	1	80-0580
17-12	RIGHT ENGINE SUPPORT	1	80-0581
17-13	LEFT ISOLATOR	2	80-0252
17-14	RIGHT ISOLATOR	2	80-0253
17-15	BOLT - SEAT, ENGINE FRAME	4	80-0582
17-16	HEXAGON NUT WITH FLANGE	10	45-0436
17-17	DEFLECTOR, CRANKCASE AIR	1	80-0584
17-18	BOTTOM PLATE REINFORCEMENT PLATE	1	80-0585
17-19	FLANGED HHCS M5 X 1 12MM	4	80-0405

FIG.18 MUFFLER SIDE COVER



REF NO.	DESCRIPTION	QTY	MITM #
18-01	COVER, MUFFLER SIDE	1	80-0586
18-02	FLANGED HHCS M5 X 0.8 16MM	6	80-0370
18-03	MUFFLER INSULATOR RUBBER 2	1	80-0587
18-04	MUFFLER OUTER COVER	1	80-0588
18-05	HEXAGONAL STEP BOLT	6	80-0339

FIG.19 DECAL PLACEMENT



GEN-4000-IMM1E Inverter Generator Decal Placement Specifications

- 1** 34-2167 M#1
Size - 2.4531" wide x 1.875" high
Center inbetween grooves below control panel
- 2** 34-4034 CO Detector
Size - 4.5" wide x 0.9" high
Center below M#1 decal
- 3** 34-4040 Right Panel
Size - 14.3417" wide x 3.9275" high
Align inside panel grooves
- 4** 34-3836 M#7 (Right Panel)
Size - 3.9283" wide x 2.9934" high
Place 4" from the top groove and 1" from the right side of the panel
- 5** 34-4042 Right Panel
Size - 4.45" wide x 5.125" high
Place in upper corner on black panel below recoil, on the left edge.
- 6** 34-4041 Left Panel
Size - 14.3417" wide x 3.9275" high
Repeat Step 3 on left panel
- 7** 34-3836 M#7 (Left Panel)
Size - 3.9283" wide x 2.9934" high
Place 4" from the top groove and 1" from the left side of the panel



REF NO.	DESCRIPTION	QTY	MITM #
1	DECAL - MITM M	1	34-2167
2	DECAL - CO DETECTOR	1	34-4034
3	DECAL - RIGHT PANEL	1	34-4040
4	DECAL - MITM M	1	34-3836
5	DECAL - WARNING	1	34-4042
6	DECAL - LEFT PANEL	1	34-4041
7	DECAL - MITM M	1	34-3836

FIG.17 DECAL PLACEMENT RECOIL



GEN-4000-IMM1E Inverter Generator Decal Placement Specifications

- 8** 34-4044 Rear Panel
Size - 1.61" wide x 0.33" high
Place on rear panel above handle, right edge at center.
- 9** 34-4046 Rear Panel
Size - 2.78" wide x 0.817" high
Place on the rear panel above handle, left edge at center.
- 10** 34-4047 Top
Size - 5.15" wide x 1.7" high
Looking at the unit from front,
Place centered between handles,
BELOW gas cap.
- 11** 34-4043 Top
Size - 5.45" wide x 1.61" high
Looking at the unit from front,
Place centered between handles,
ABOVE gas cap.



REF NO.	DESCRIPTION	QTY	MITM #
8	DECAL - ICES	1	34-4044
9	DECAL - WARNING ICONS	1	34-4046
10	DECAL - WARNING	1	34-4047
11	DECAL - WARNING	1	34-4043

FIG.18 DECAL PLACEMENT TOP SIDE



GEN-4000-IMM1E Inverter Generator Decal Placement Specifications

12 34-4045 Left Panel
Size - 2.78" wide x 0.817" high
Place in bottom corner of red panel
on right edge.

13 34-4048 Left Panel
Size - 8.73" wide x 2.6" high
Place in upper corner of black panel
on right edge.

Emission Control decal
Generator Spec decal



REF NO.	DESCRIPTION	QTY	MITM #
12	DECAL - DANGER CO	1	34-4044
13	DECAL - WARNING	1	34-4046