

PARTS LIST FOR  
***HGM 3506***  
HEATER MODULE  
(AFTER SERIAL # 15011352)

This Parts Listing has been compiled for your benefit. You can be assured your hot water heater module was constructed and designed with quality and performance in mind. Each component has been rigorously tested to insure the highest level of acceptance.

The contents of this Parts Listing are based on the latest product information available at the time of publication. The manufacturer reserves the right to make changes in price, color, materials, equipment, specifications or models at any time without notice.

**WARNING**  
**THIS IS A PROFESSIONAL HOT WATER HEATER MODULE. CAUTION SHOULD BE OBSERVED WHEN INSTALLING, USING OR REPAIRING THIS UNIT! READ AND FOLLOW THE SAFETY WARNINGS BEFORE ATTEMPTING ANY REPAIRS ON THIS HEATER MODULE!**

1. NEVER alter or modify the equipment. Use only genuine manufacturer parts for repair of your heater module. Failure to do so can cause hazardous operating conditions and will VOID warranty. Repairs performed on this heater module should be done by a qualified serviceman in accordance with local, state and national regulations.
2. This unit has multiple safety devices which should never be altered, modified, removed or made inoperable. If a device fails, replace immediately with only genuine manufacturer replacement parts.
3. Gas System:  
Do not operate unit if gas smell exists. If you smell gas at any time, immediately shut off the gas supply to the unit and extinguish any open flame. L.P. gas is heavier than air and will gravitate to the floor. Do not resume operation until unit has been repaired and inspected by a qualified serviceperson.
4. Electrical System:  
The unit must be connected to a properly grounded electrical source which provides the correct voltage and adequate fuse protection. Disconnect from power source when making repairs. Never assume the heater module is safe to work on just because it is not operating. It could restart at any time.  
  
Never operate heater module with electrical enclosures open, removed or damaged. Do not allow metal components of the pressure washer to come in contact with live electrical components.
5. Do not operate the unit without all protective covers in place. Before servicing the unit, always shut off the unit and trigger the gun to release trapped pressure. Know how to stop the heater module and bleed pressures quickly. Be thoroughly familiar with controls. Be sure any accessory items and system components being used will withstand the pressure developed.

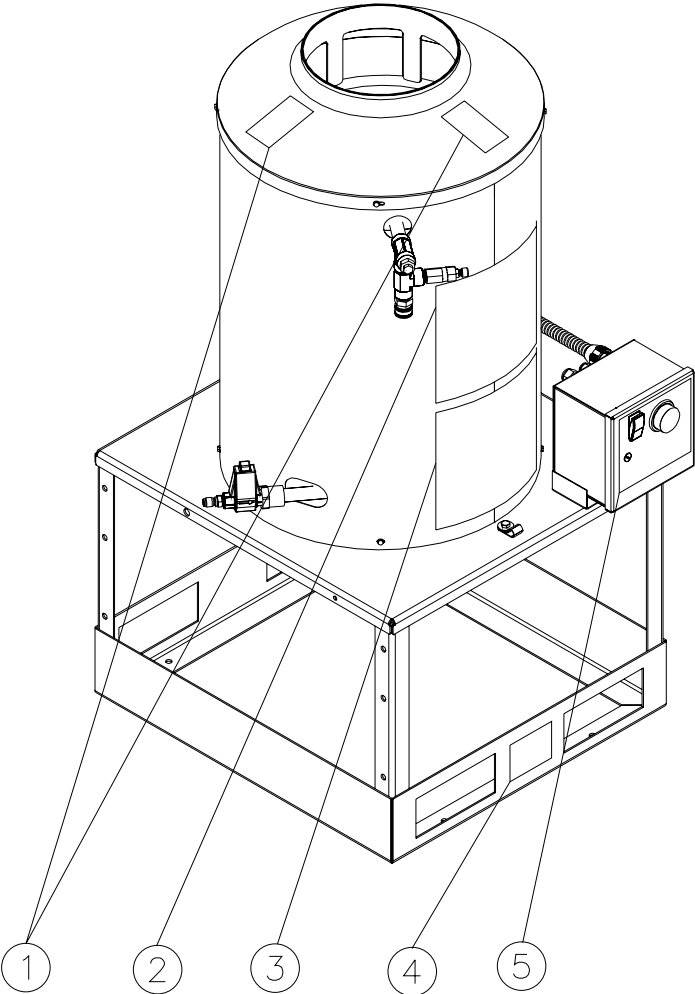
### Table of Contents

<b>SPECIFICATIONS</b> .....	<b>3</b>
<b>DECAL PLACEMENT</b> .....	<b>4</b>
<b>BURNER ASSEMBLY (AFTER SERIAL #15011352)</b> .....	<b>6</b>
<b>ELECTRIC BOX ASSEMBLY</b> .....	<b>8</b>
<b>WIRE SCHEMATIC</b> .....	<b>10</b>
<b>WIRE DIAGRAM</b> .....	<b>11</b>

## SPECIFICATIONS

<b>MODEL NUMBER</b>	<b>HGM-3506-0E10</b>
<b>Operating Pressure (PSI/Bar):</b>	3500/241
<b>Water Volume (GPM/lpm):</b>	6.0/22.5
<b>Burner</b>	Natural Draft-Aspirating
Fuel Type	Natural Gas
Maximum Supply Pressure (W.C.)	13.0
Manifold Pressure (W.C.)	4.0
Fuel Orifice Size	#53
Fuel Type	L.P.-Gas (Vapor Only)
Maximum Supply Pressure (W.C.)	13.0
Manifold Pressure (W.C.)	9.5
Fuel Orifice Size	#64
<b>Heat Exchanger:</b>	
Natural Gas BTU Input	338,000
L.P. BTU Input	326,000
<b>Electric Controls:</b>	
Burner Controls	Rocker Switch
Control Voltage	24 Volt AC
<b>Safety Devices:</b>	
Thermostat	Adjustable
Relief Valve	Relieves Excessive System Pressure
<b>Unit Net Weight (Lbs/kg):</b>	346/157
<b>Unit Shipping Weight (Lbs/kg):</b>	466/211
<b>Unit Net Dimension (In/cm):</b>	24.25L x 26.25W x 49.75H/143.5L x 73.5W x 126.5H
<b>Unit Shipping Dimension (In/cm):</b>	57.5L x 35.5W x 59.5H/146L x 90W x 151H

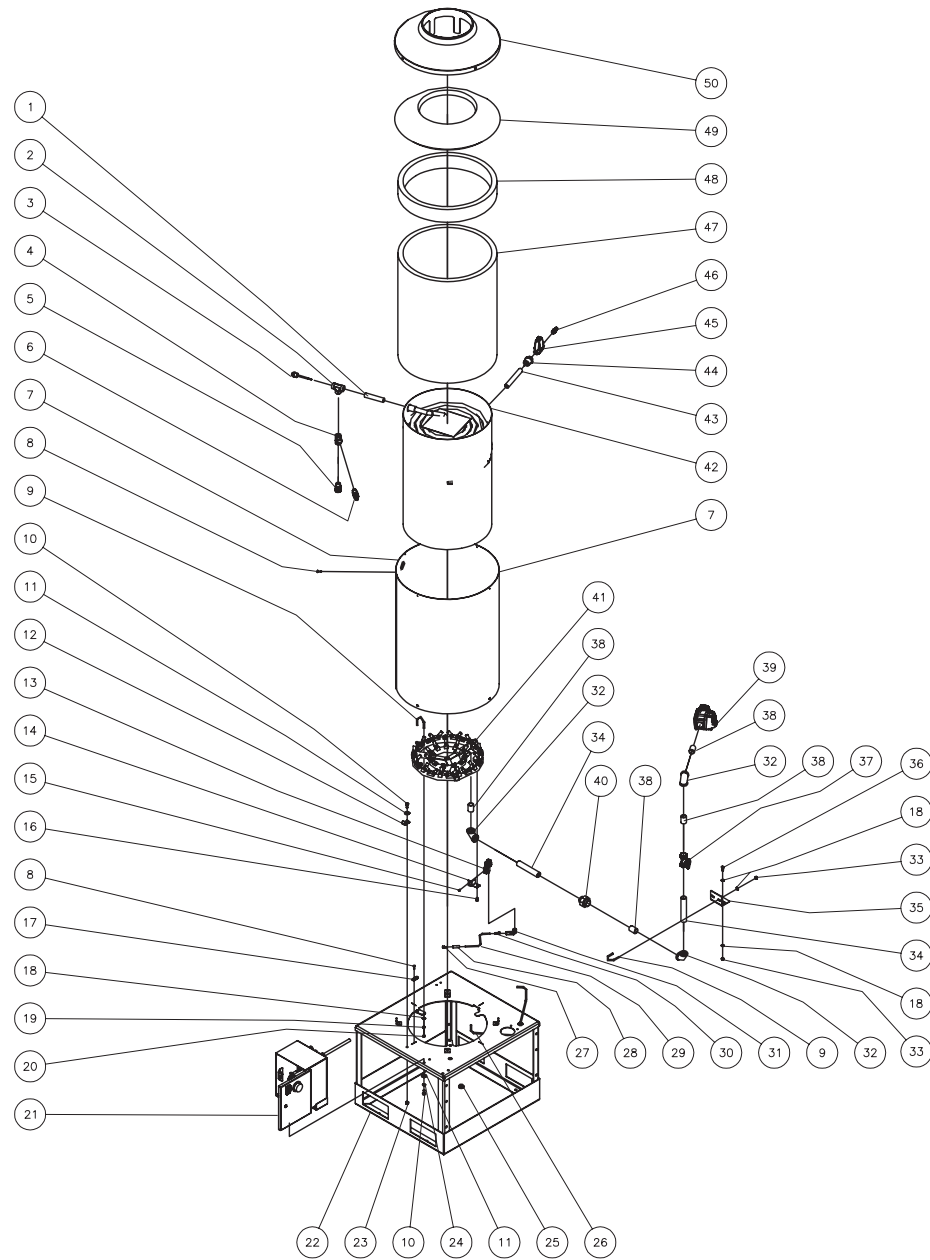
# DECAL PLACEMENT



HGM SPECS AND SAFETY DECALS-032602-BAR

<b>DECAL PLACEMENT</b>			
<b>REF. #</b>	<b>DESCRIPTION</b>	<b>PART #</b>	<b>QTY.</b>
1	Decal- Warning: Hot Surface (See 34-9021)	N/A Sep.	2
2	Decal- Warning/Caution (See 34-9021)	N/A Sep.	1
3	Decal- Operating Instructions (See 34-9021)	N/A Sep.	1
4	Decal- Data Plate	N/A	1
5	Decal- Electric Box (See 34-9021)	N/A Sep.	1
	Safety Decal Kit (Includes 1-3, 5)	34-9021	

# BURNER ASSEMBLY (AFTER SERIAL #15011352)

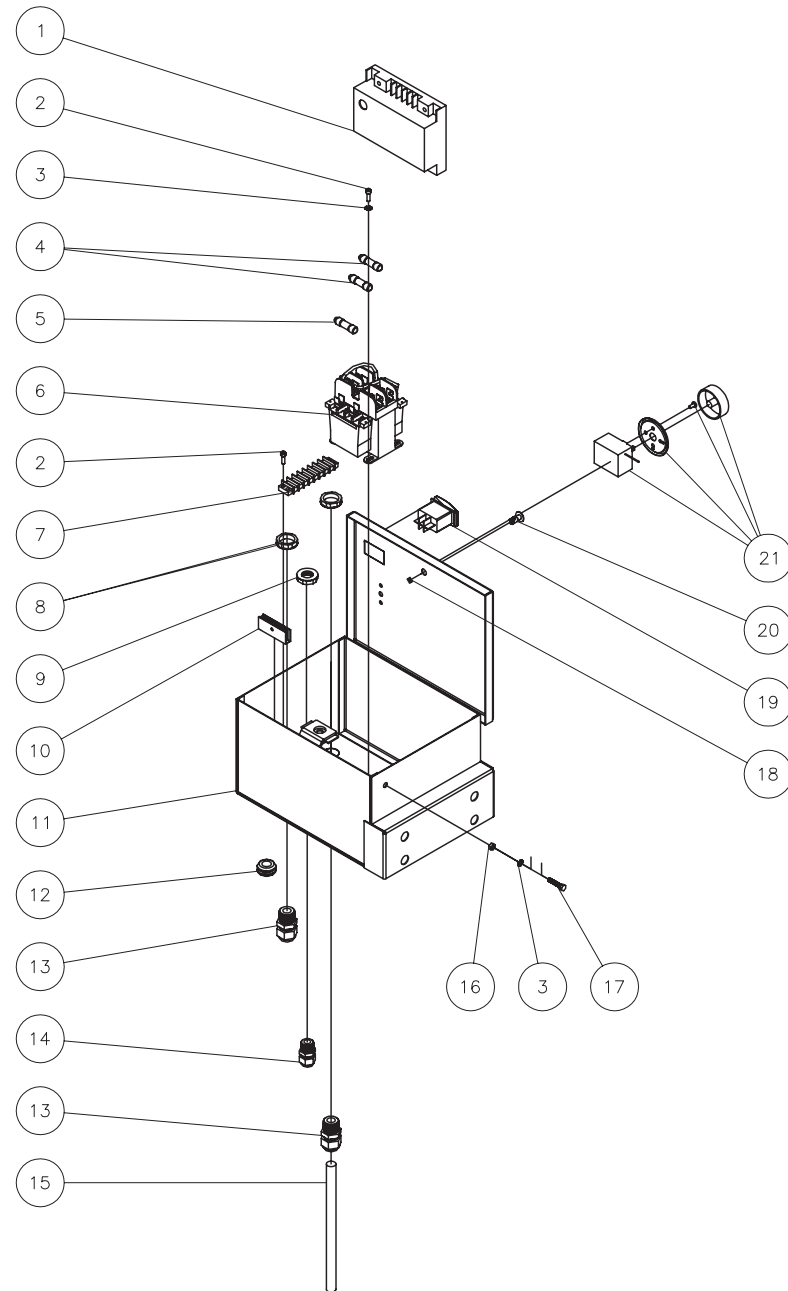


HGM BURNER ASSY-040109-CH

BURNER ASSEMBLY (AFTER SERIAL #15011352)							
REF. #	DESCRIPTION	PART #	QTY.	REF. #	DESCRIPTION	PART #	QTY.
1	Pipe Nipple	24-0244	1	26	Tube *(Three Feet Required)	54-0027	1
2	Tee	24-0055	1	27	Terminal	32-0221	1
3	Adjustable Thermostat	32-0962	1	28	Heat Shrink *(Two Feet Required)	33-0219	1
4	Steet Tee	24-0242	1	29	Ignitor Wire	44-0117	1
5	Quick Connect Socket	17-0029	1	30	Spark Plug Terminal	44-0119	1
6	Safety Relief Valve	22-0309	1	31	Boot	44-0118	1
7	Outerwrap Assembly	20-0634A18	1	32	Elbow	24-0102	3
8	Bolt	27-3064	16	33	Locknut	30-0155	4
9	U-bolt	31-2008	3	34	Pipe Nipple	24-0268	2
10	Bolt	27-0066	5	35	Plumbing Bracket	20-0732A18	1
11	Flatwasher	28-0023	5	36	Bolt	27-0015	2
12	Clamp	43-0003	1	37	Gas Valve	22-0336	1
13	Ignitor Sensor Pilot Burner	44-0115	1	38	Close Nipple	24-0095	4
14	Ignitor Bracket	13-0107A01	1	39	Natural Gas Regulating Valve	22-0144	1
15	Screw	27-2096	2	40	Union	24-0101	1
16	Bolt	27-0014	2	41	Natural Gas Asperating Ring Burner	4-0011	1
17	Coil Retention Clip	20-0651A18	4	42	Heat Exchanger Coil Assembly	66-0016	1
18	Washer	28-0002	10	43	Nipple	24-0254	1
19	Lockwasher	29-0006	4	44	Reducer	24-0048	1
20	Hex Nut	30-0002	4	45	Flow Switch	22-0348	1
21	Electric Box Assembly (See Exploded Drawing)	N/A Sep.	1	46	Quick Connect Plug	17-0005	1
22	Coil Base Assembly	5-0174A18	1	47	Insulation Blanket	850-0313	1
23	Locknut	30-0157	1	48	Insulation Strip	850-0314	1
24	Lockwasher	29-0007	4	49	Insulation Donut	850-0315	1
25	Grommet	33-0001	1	50	Dome Assembly	20-0621A18	1

\*Must Order in One Foot Lengths

# ELECTRIC BOX ASSEMBLY

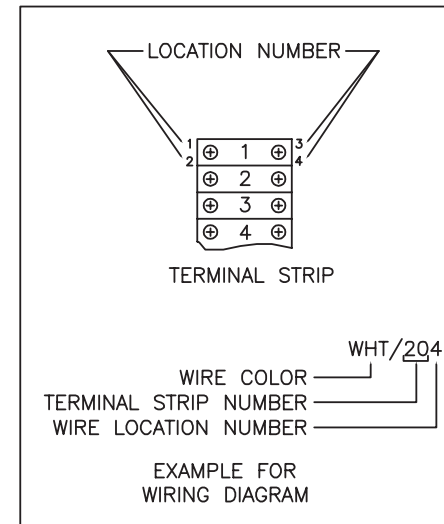
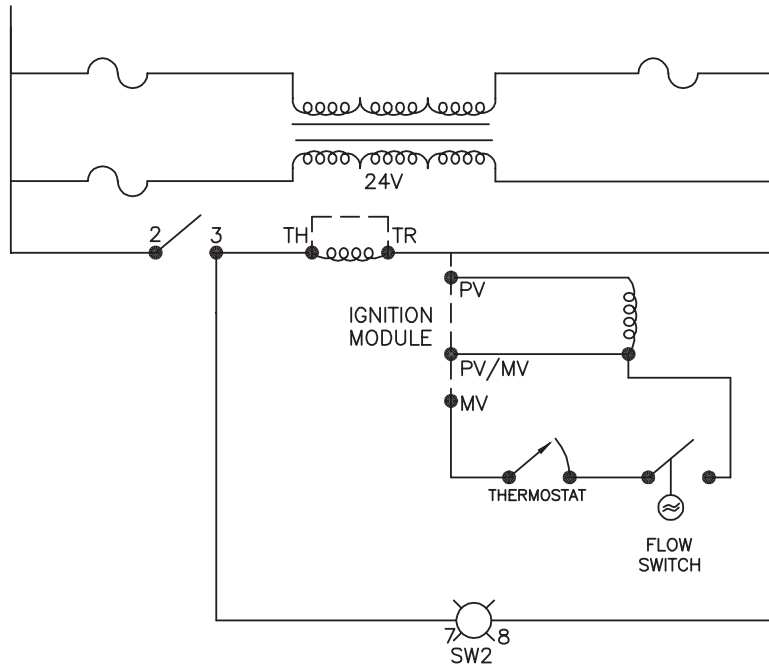




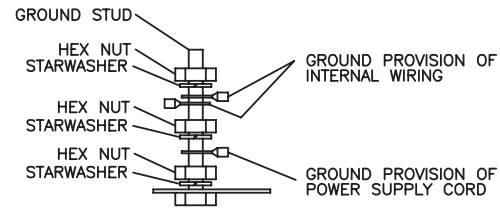
## ELECTRIC BOX ASSEMBLY

REF. #	DESCRIPTION	PART #	QTY.	REF. #	DESCRIPTION	PART #	QTY.
1	Ignition Modular	32-0319	1	11	Electric Box Assembly	32-0765A18	1
2	Bolt	27-8835	6	12	Grommet	33-0001	1
3	Lockwasher	28-1009	7	13	Strain Relief	32-0437	2
4	Fuse- Primary KLDR 2	32-0741	2	14	Strain Relief	32-0586	1
-	Fuse- Primary KLDR 1 (HX-0129 Only)	32-0740	2	15	Cord *(Three Feet Required)	32-0247	1
5	Fuse- Primary FLA 6-1/4	32-0743	1	16	Hex Nut	30-6001	3
6	Transformer - 120-240V to 24V	32-0324	1	17	Bolt	27-8807	1
-	Transformer - 240-460V to 24V (HX-0129 Only)	32-0735	1	18	O-ring	25-0209	1
7	Terminal Strip	32-0436	1	19	Rocker Switch	32-0731	1
8	Locknut	32-0108	2	20	Fastener	33-0197	1
9	Locknut	32-0587	1	21	Adjustable Thermostat	32-0962	1
10	Magnetic Catch	33-0390	1	*Must Order in One Foot Length			

# WIRE SCHEMATIC

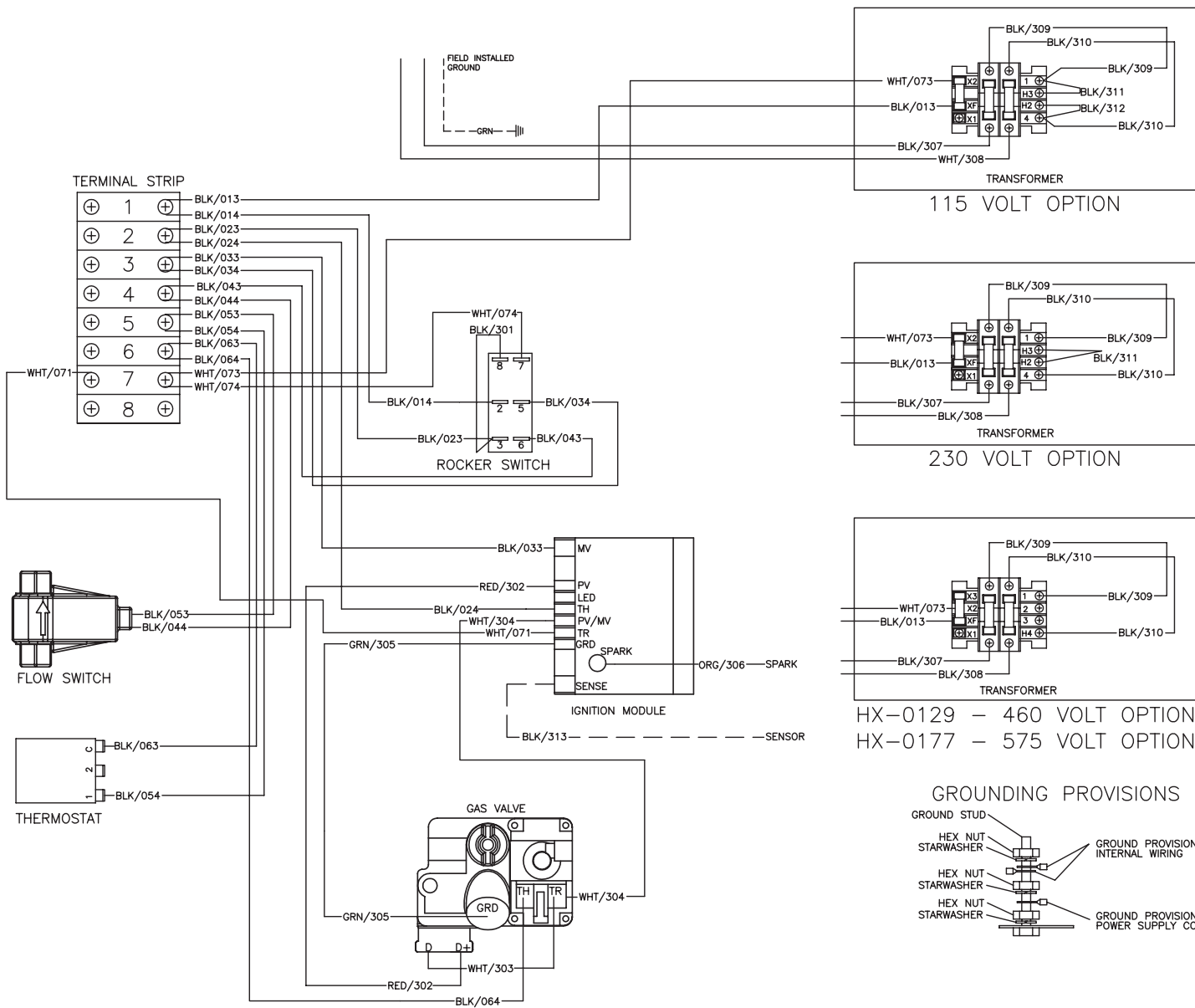


## GROUNDING PROVISIONS



WIRE SCHEMATIC HGM-3506-0E10-033110 CAW

# WIRE DIAGRAM



WIRE DIAGRAM HGM-3506-0E10-033110 CAW

Manufactured by Mi-T-M  
50 Mi-T-M Drive, Peosta IA 52068  
563-556-7484/ Fax 563-556-1235