



PARTS LIST FOR
WCP-10-0M10
(AFTER SERIAL #30000625)
WATER RECYCLING TREATMENT SYSTEM

Congratulations on the purchase of your new Mi-T-M water recycling treatment system! This parts listing has been compiled for your benefit. You can be assured your Mi-T-M water recycling treatment system was constructed and designed with quality and performance in mind. Each component has been rigorously tested to insure the highest level of acceptance.

The contents of this parts listing are based on the latest product information available at the time of publication. Mi-T-M reserves the right to make changes in price, color, materials, equipment, specifications or models at any time without notice.

WARNING

THIS IS A PROFESSIONAL WATER RECYCLING TREATMENT SYSTEM. CAUTION SHOULD BE OBSERVED WHEN USING OR REPAIRING THIS UNIT! READ AND FOLLOW THE SAFETY WARNINGS LISTED BELOW BEFORE ATTEMPTING ANY REPAIRS ON THIS WATER RECYCLING TREATMENT SYSTEM!

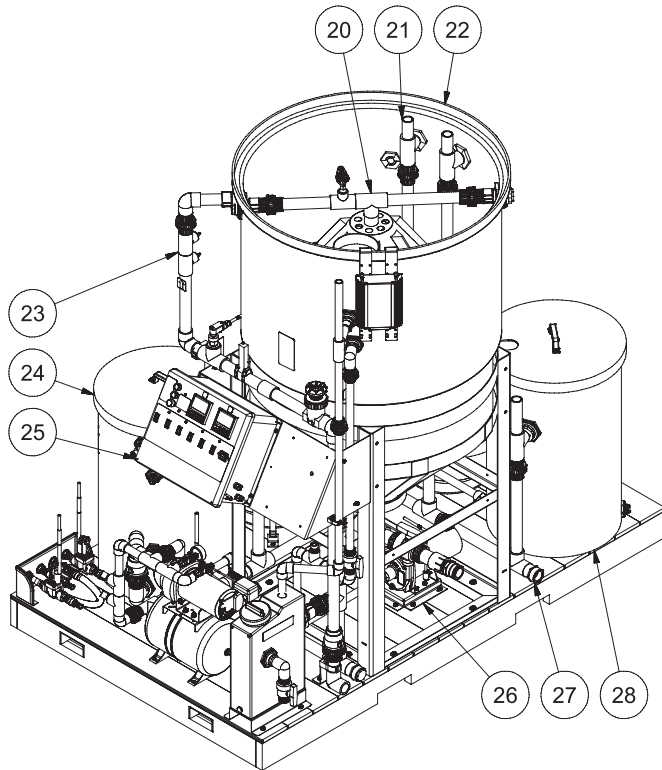
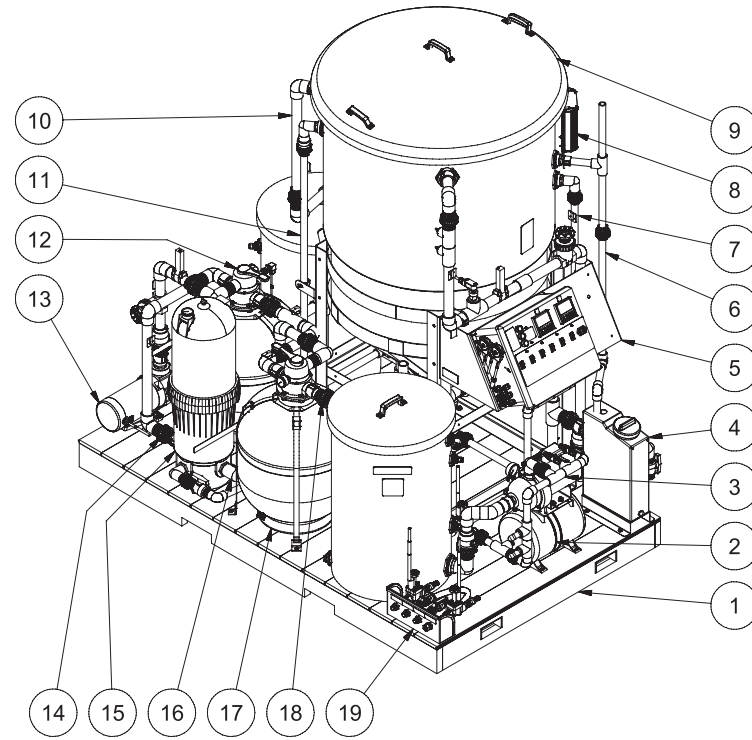
SAFETY WARNINGS

1. Serious injury or death could occur if the water recycling treatment system is not properly grounded. Your water recycling treatment system is powered by electricity and may cause electric shock or electrocution if not installed properly. Installation to this unit, including all electrical connections, must comply with all local, state and national codes. Any electrical wiring or repairs performed on this water recycling treatment system should be done by Authorized Service Personnel in accordance with National and Local electrical codes.
2. NEVER alter or modify the equipment. Use only genuine Mi-T-M parts for repair of your water recycling treatment system. Failure to do so can cause hazardous operating conditions and will VOID warranty.
3. Know how to stop and bleed pressures quickly. Be thoroughly familiar with controls. Do not operate without protective cover/guards. Follow the maintenance instructions specified in your operator's manual.
4. Before servicing, ALWAYS shut off the water and the unit. Allow the unit to cool down and drain the water. NEVER assume the water recycling treatment system is safe to work on just because it is not operating. It could restart at any time! ALWAYS disconnect from the power source.
5. Be especially careful it properly dispose of any flammable materials. Consult Materials Safety Data Sheets for safe handling of chemicals used with your system, especially oxidizers and acids.

Table of Contents

MAIN ASSEMBLY	4
TANK STAND ASSEMBLY	6
PLUMBING: INLET ASSEMBLY	8
CLARIFIER TANK ASSEMBLY	10
CONE ASSEMBLY (855-0022)	12
CLARIFIER LID ASSEMBLY	14
PLUMBING: OZONE PUMP INLET ASSEMBLY	15
OZONE PUMP ASSEMBLY	16
OZONE PUMP (3-0199)	17
PLUMBING: OZONE PUMP OUTLET ASSEMBLY	18
PLUMBING: OIL DECANTER ASSEMBLY	19
OUTLET RING ASSEMBLY	20
PLUMBING: CLARIFIER TANK OUTLET ASSEMBLY	22
HOLDING TANK ASSEMBLY	24
FILTER PUMP ASSEMBLY	26
FILTER PUMP (3-0179)	28
MULTI-MEDIA FILTER ASSEMBLY	30
FILTER (19-0502)	32
PLUMBING: MULTI-MEDIA TO CARTRIDGE FILTER	33
CARTRIDGE FILTER (19-0603)	34
PLUMBING: CARTRIDGE FILTER TO POLISHING FILTER	35
POLISHING FILTER ASSEMBLY	36
PLUMBING: POLISHING FILTER TO PRODUCT TANK	37
PRODUCT TANK ASSEMBLY	38
TRANSFER PUMP AND TANK ASSEMBLY (AFTER #30000625)	40
TRANSFER PUMP (3-0181)	42
PLUMBING: TRANSFER PUMP MANIFOLD (AFTER #30000625)	44
HOSE ASSEMBLY	46
MANIFOLD ASSEMBLY	48
OIL DECANTER ASSEMBLY	50
PLUMBING: DRAIN LINE ASSEMBLY	52
PH / ORP PUMP (3-0182)	54
OZONE GENERATOR ASSEMBLY	55
CONTROL PANEL- LID	56
CONTROL PANEL- BASE (AFTER SERIAL #30000151)	58
SLUDGE BOX ASSEMBLY (855-0017)	60
SUMP PIT ASSEMBLY	62
SUMP PUMP ASSEMBLY (855-0024)	64
SUMP PUMP (3-0214)	65
WCP OZONE SYSTEM SCHEMATIC	66
WCP OZONE SYSTEM DIAGRAM	67
ELECTRICAL SCHEMATIC	68
ELECTRICAL DIAGRAM	69

MAIN ASSEMBLY

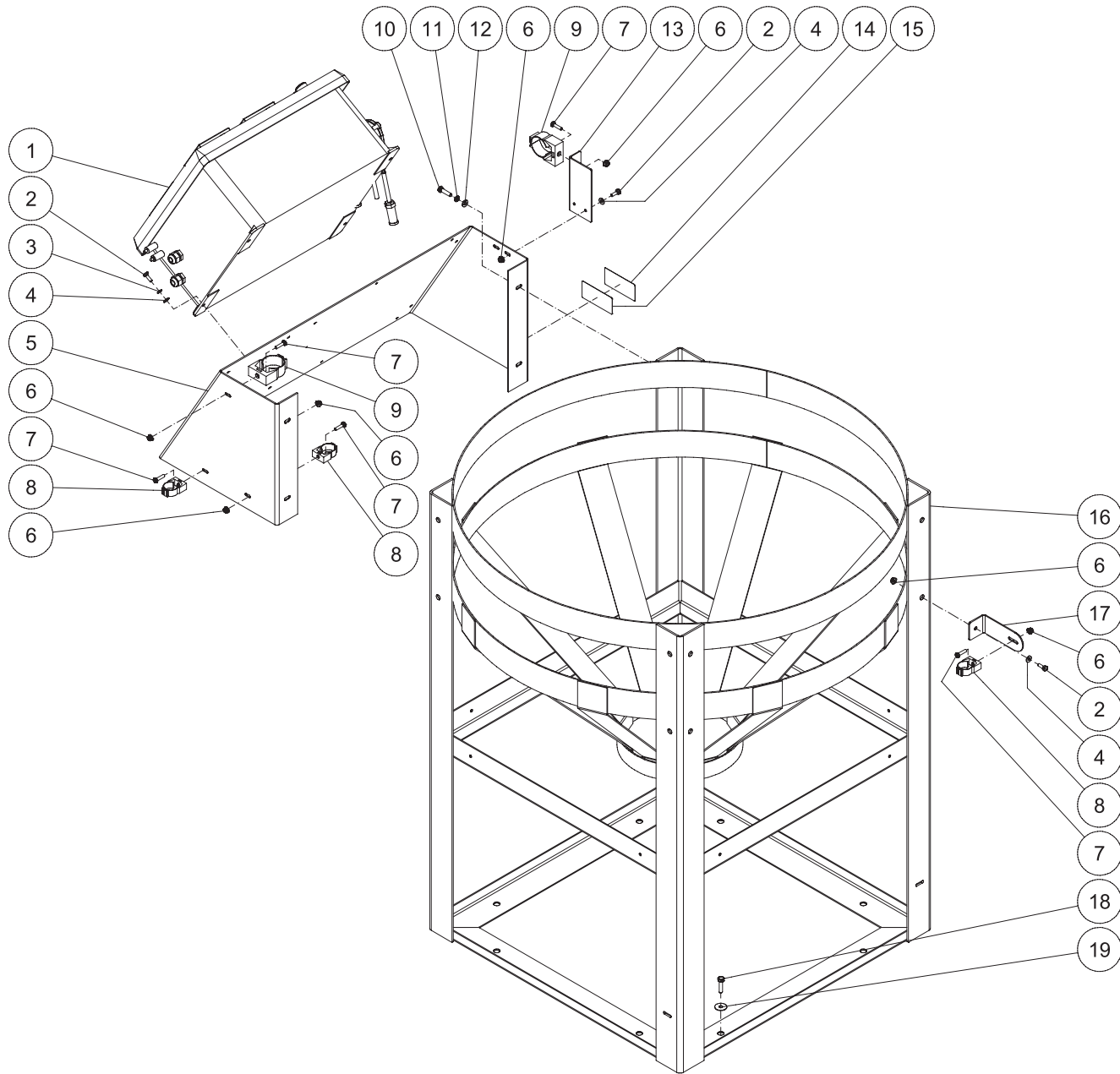


WCP-10-0M10-011007-PJH

MAIN ASSEMBLY

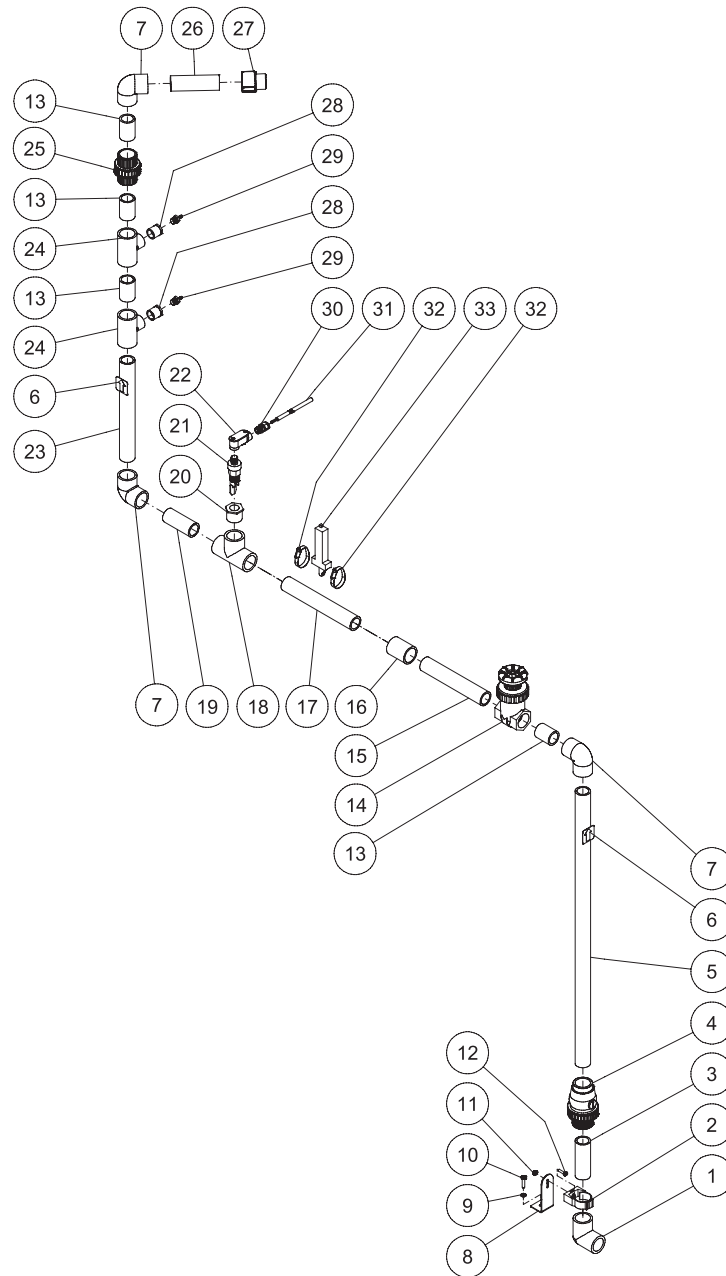
REF. #	DESCRIPTION	PART#	QTY.	REF. #	DESCRIPTION	PART#	QTY.
1	Pallet Assembly	35-0034	1	15	Cartridge Filter	19-0603	1
2	Transfer Pump and Tank Assembly	N/A Sep.	1	16	Plumbing: Cartridge Filter to Polishing Filter	N/A Sep.	1
3	Plumbing: Transfer Pump Manifold	N/A Sep.	1	17	Polishing Filter Assembly	N/A Sep.	1
4	Oil Decanter Assembly	N/A Sep.	1	18	Plumbing: Polishing Filter to Product Tank	N/A Sep.	1
5	Tank Stand Assembly	N/A Sep.	1	19	Manifold Assembly	N/A Sep.	1
6	Plumbing: Oil Decanter Assembly	N/A Sep.	1	20	Cone Assembly	855-0022	1
7	Plumbing: Ozone Pump Inlet Assembly	N/A Sep.	1	21	Outlet Ring Assembly	N/A Sep.	1
8	Ozone Generator Assembly	N/A Sep.	1	22	Clarifier Tank Assembly	N/A Sep.	1
9	Lid Assembly	N/A Sep.	1	23	Plumbing: Inlet Assembly	N/A Sep.	1
10	Plumbing: Clarifier Tank Outlet	N/A Sep.	1	24	Product Tank Assembly	N/A Sep.	1
11	Plumbing: Ozone Pump Outlet Assembly	N/A Sep.	1	25	Control Panel Assembly	N/A Sep.	1
12	Multi-Media Filter Assembly	N/A Sep.	1	26	Ozone Pump Assembly	N/A Sep.	1
13	Filter Pump Assembly	N/A Sep.	1	27	Plumbing: Drain Line Assembly	N/A Sep.	1
14	Plumbing: Media Filter to Cartridge Filter	N/A Sep.	1	28	Holding Tank Assembly	N/A Sep.	1

TANK STAND ASSEMBLY



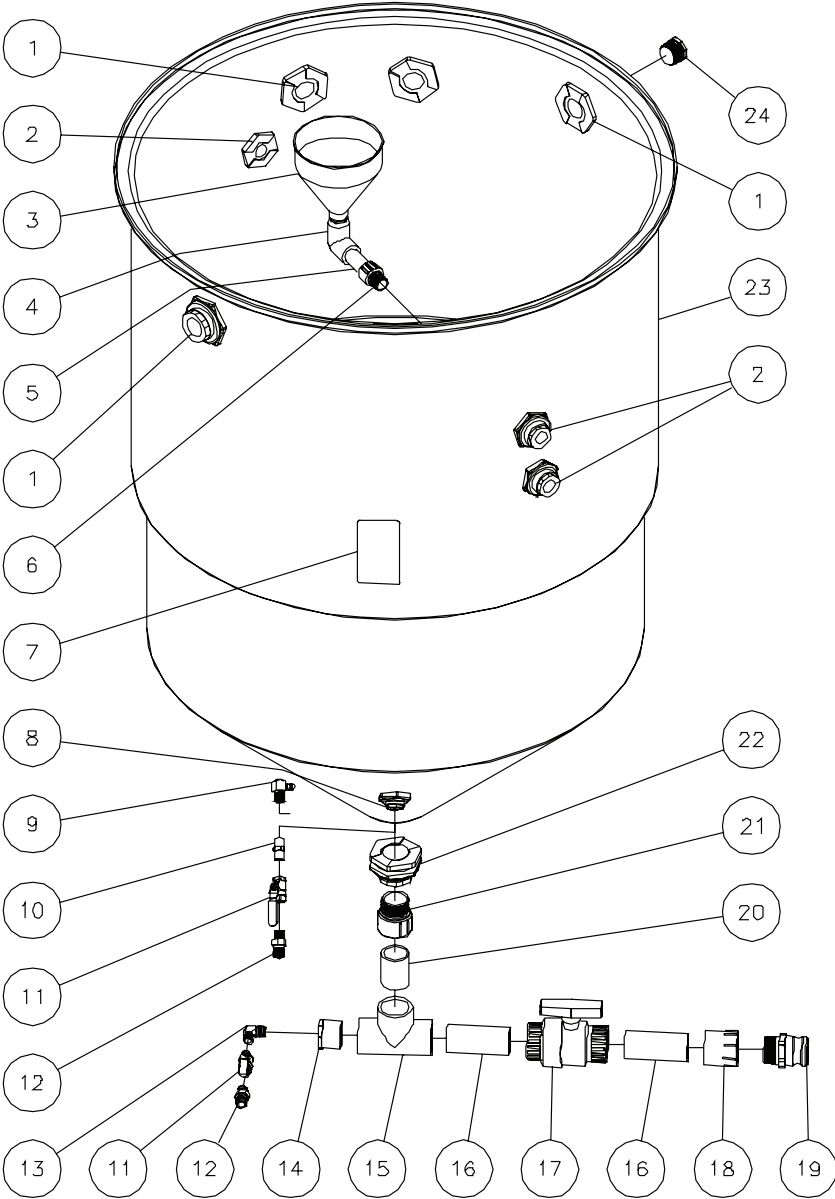
TANK STAND ASSEMBLY								
REF. #	DESCRIPTION	PART#	QTY.		REF. #	DESCRIPTION	PART#	QTY.
1	Control Panel Assembly (See Exploded Drawing)	N/A Sep.	1		11	Lockwasher	29-1007	4
2	Screw	27-5016	7		12	Washer	28-0122	4
3	Washer	28-0128	4		13	Clamp Bracket	20-0569A01	1
4	Washer	28-1021	7		14	Decal- Clear Laminate	N/A	1
5	Control Panel Bracket	20-0570	1		15	Decal- Data Plate	N/A	1
6	Nut	30-5202	12		16	Tank Stand	20-0597	1
7	Screw	27-5018	5		17	Clamp Bracket	20-0555A01	1
8	Pipe Clamp	42-0038	3		18	Lag Bolt	27-5276	8
9	Pipe Clamp	42-0026	2		19	Washer	28-0057	8
10	Screw	27-8963	4					

PLUMBING: INLET ASSEMBLY



PLUMBING: INLET ASSEMBLY							
REF. #	DESCRIPTION	PART#	QTY.	REF. #	DESCRIPTION	PART#	QTY.
1	Elbow	55-1610	1	18	Tee	55-1601	3
2	Pipe Clamp	42-0026	1	19	Pipe *(One Foot Required)	55-1600	1
3	Pipe *(One Foot Required)	55-1600	1	20	Reducer Bushing	55-1629	1
4	Ball Check Valve	55-1652	1	21	Adjustable Flow Switch	32-0641	1
5	Pipe *(Four Feet Required)	55-1600	1	22	Conduit Elbow	32-0642	1
6	Decal- Arrow	34-0883	2	23	Pipe *(Two Feet Required)	55-1600	1
7	Elbow	55-1609	3	24	Tee	55-1603	2
8	Clamp Bracket	20-0555A01	1	25	Union (Inc. 25-0448)	55-1645	1
9	Washer	28-0122	1	-	O-ring	25-0448	1
10	Lag Bolt	27-5276	1	26	Pipe *(One Foot Required)	55-1600	1
11	Hex Nut	30-5202	1	27	Adapter- Male	55-1622	1
12	Screw	27-5018	1	28	Reducer Bushing	55-1229	2
13	Pipe *(One Foot Required)	55-1600	1	29	Hose Barb Adapter	55-0023	2
14	Gate Valve	55-1671	1	30	Strain Relief	32-0437	1
15	Pipe *(One Foot Required)	55-1600	1	31	Cord *(Five Feet Required)	32-0074	1
16	Coupler	55-1614	1	32	Clamp	42-0027	2
17	Pipe *(One Foot Required)	55-1685	1	33	Flowmeter (Inc. 42-0027)	55-0016	1
*Must Order in One Foot Lengths							

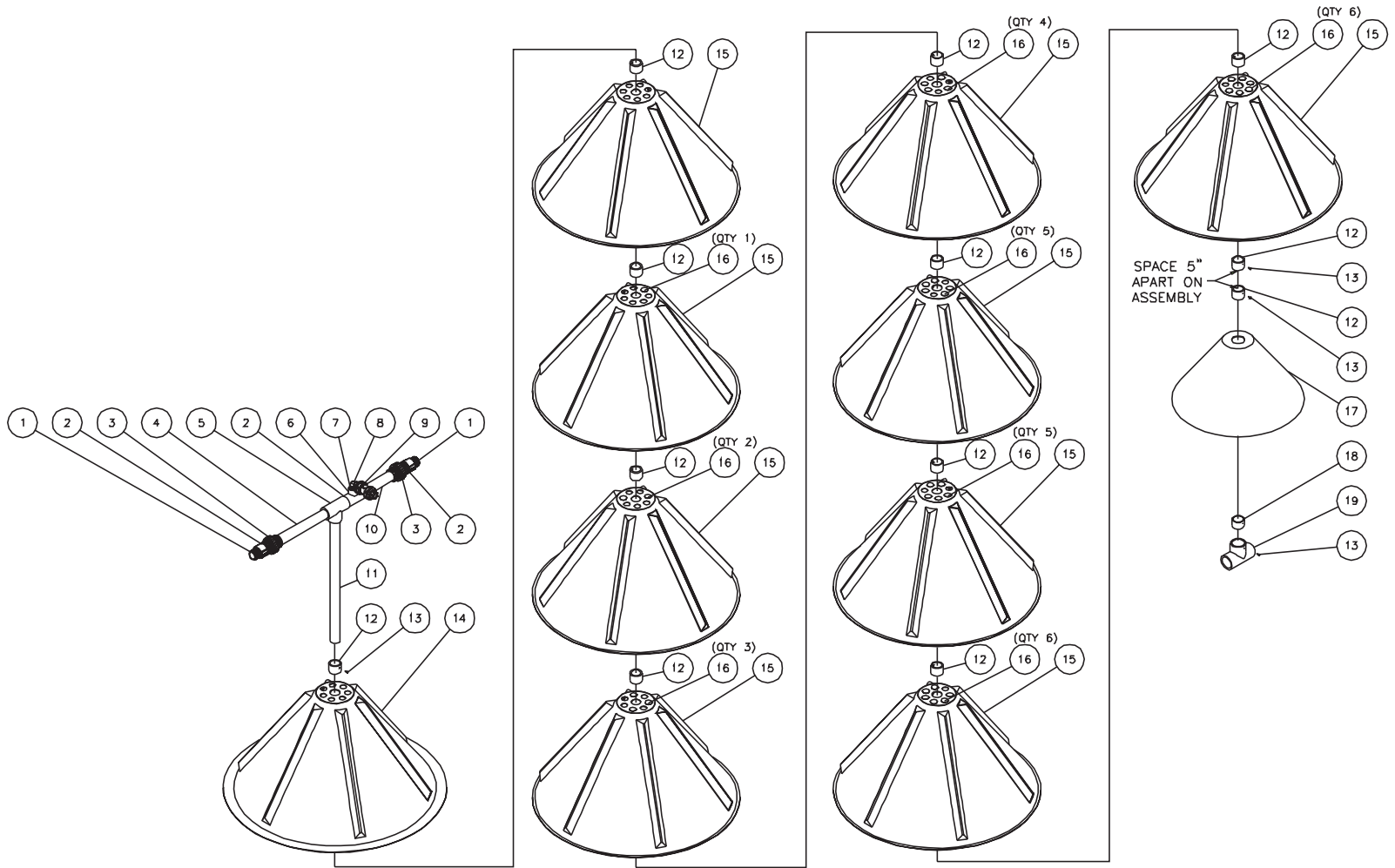
CLARIFIER TANK ASSEMBLY



CLARIFIER TANK-111302-KS

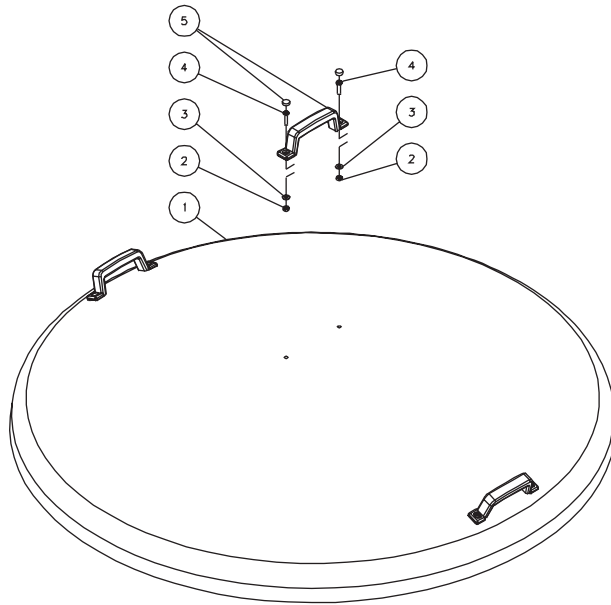
CLARIFIER TANK ASSEMBLY							
REF. #	DESCRIPTION	PART#	QTY.	REF. #	DESCRIPTION	PART#	QTY.
1	Bulkhead Fitting (Inc. 25-0481)	55-1686	4	13	Elbow	23-0386	1
-	Gasket	25-0481	4	14	Bushing	55-1832	1
2	Bulkhead Fitting (Inc. 25-0482)	55-1286	3	15	Tee	55-1801	1
-	Gasket	25-0482	3	16	Pipe *(2" x 5-1/4")	55-1800	1
3	Funnel	33-0338	1	17	Ball Valve	55-1855	1
4	Elbow	55-1210	1	18	Adapter- Female	55-1821	1
5	Pipe *(1" x 5")	55-1200	1	19	Adapter- Cam & Groove	55-0054	1
6	Adapter- Male	55-1222	1	20	Pipe *(2" x 3")	55-1800	1
7	Decal- Risk of Electrocuton	34-0884	1	21	Adapter- Male	55-1822	1
8	Bulkhead Fitting (Inc. 25-0506)	55-0886	1	22	Bulkhead Fitting (Inc. 25-0481)	55-1886	1
-	Gasket	25-0506	1	-	Gasket	25-0481	1
9	Elbow	23-0053	1	23	Tank- 300 Gallons	12-0072	1
10	Nipple	23-0012	1	24	Plug	55-1640	1
11	Ball Valve	22-0278	2	*Must Order in One Foot Lengths			
12	Nipple	23-0359	2				

CONE ASSEMBLY (855-0022)



CONE ASSEMBLY (855-0022)							
REF. #	DESCRIPTION	PART#	QTY.	REF. #	DESCRIPTION	PART#	QTY.
1	Adapter- Male	55-1622	2	11	Pipe *(1-1/2" x 29-1/2")	55-1600	1
2	Pipe *(1-1/2" x 2-1/2")	55-1600	3	12	Pipe *(2" x 1-3/4")	55-1800	12
3	Union (Inc. 25-0448)	55-1645	2	13	Screw	27-3064	4
-	O-ring	25-0448	2	14	Upper Coalescing Cone- 300 gal.	33-0332	1
4	Pipe *(1-1/2" x 15-1/2")	55-1600	1	15	Lower Coalescing Cone- 300 gal.	33-0333	9
5	Tee	55-1601	1	16	Plug	39-0120	32
6	Tee	55-1603	1	17	Cone	33-0334	1
7	Reducer Bushing	55-1229	1	18	Pipe *(2" x 1-1/2")	55-1800	1
8	Elbow	23-0386	1	19	Tee	55-1801	1
9	Check Valve	55-0853	1		Cone Assembly (Inc. 1-19)	855-0022	
10	Pipe *(1-1/2" x 10-5/8")	55-1600	1	*Must Order in One Foot Lengths			

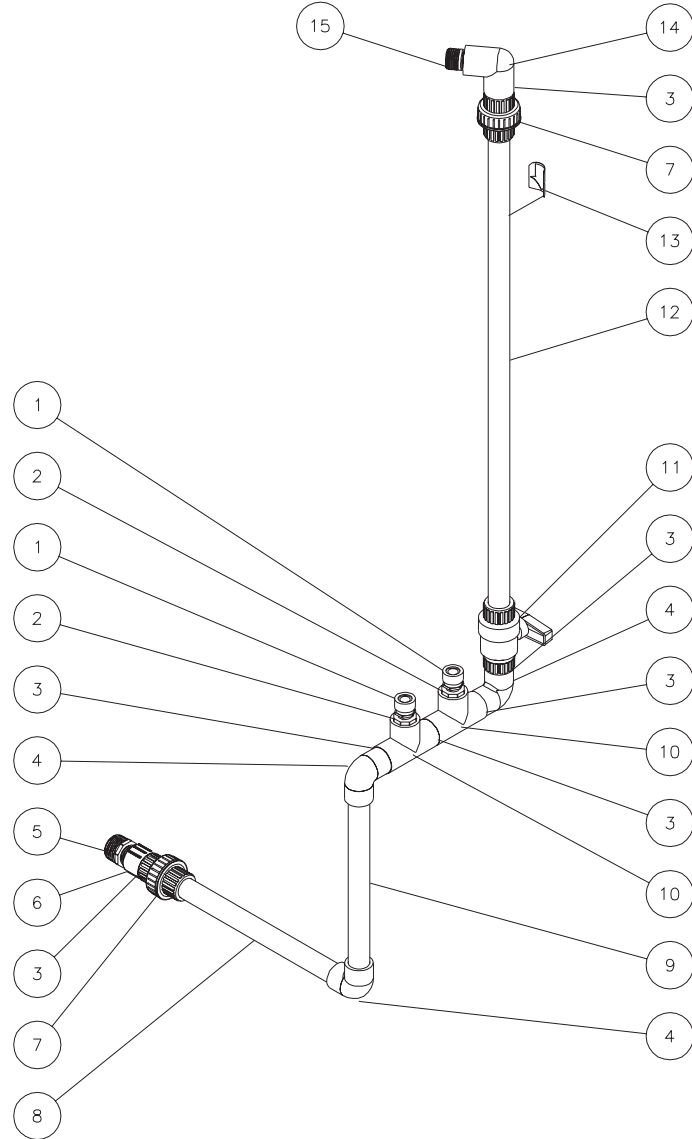
CLARIFIER LID ASSEMBLY



LID ASSY 300-070201-KS

CLARIFIER LID ASSEMBLY			
REF. #	DESCRIPTION	PART#	QTY.
1	Lid (See Tank 12-0072)	N/A Sep.	1
2	Locknut	30-5155	6
3	Washer	28-0121	6
4	Screw	27-5018	6
5	Handle	7-0164	3

PLUMBING: OZONE PUMP INLET ASSEMBLY

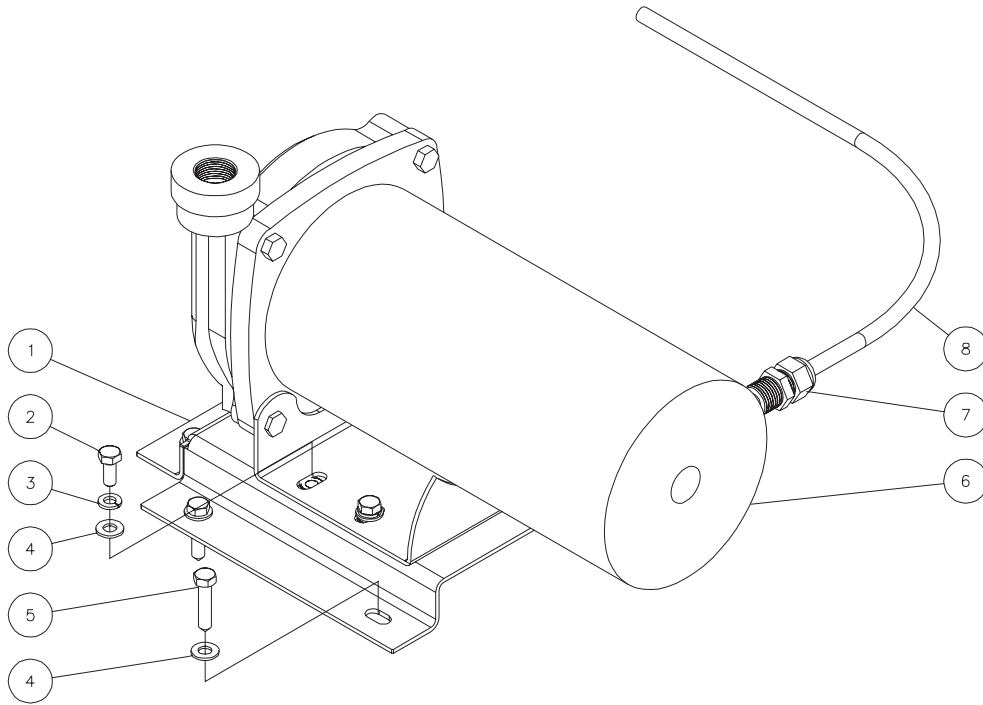


OZONE PUMP INLET-110201-KS

PLUMBING: OZONE PUMP INLET ASSEMBLY

REF. #	DESCRIPTION	PART#	QTY.
1	Strain Relief	32-0550	2
2	Reducer Bushing	55-1229	2
3	Pipe *(1" x 2-1/4")	55-1200	6
4	Elbow	55-1209	3
5	Reducer Bushing	55-1433	1
6	Adapter- Male	55-1222	1
7	Union (Inc. 25-0447)	55-1245	2
-	O-ring	25-0447	2
8	Pipe *(1" x 15-1/4")	55-1200	1
9	Pipe *(1" x 14-1/2")	55-1200	1
10	Tee	55-1201	2
11	Ball Valve	55-1255	1
12	Pipe *(1" x 37")	55-1200	1
13	Decal- Arrow	34-0883	1
14	Elbow	55-1210	1
15	Nipple	55-1274	1
*Must Order in One Foot Lengths			

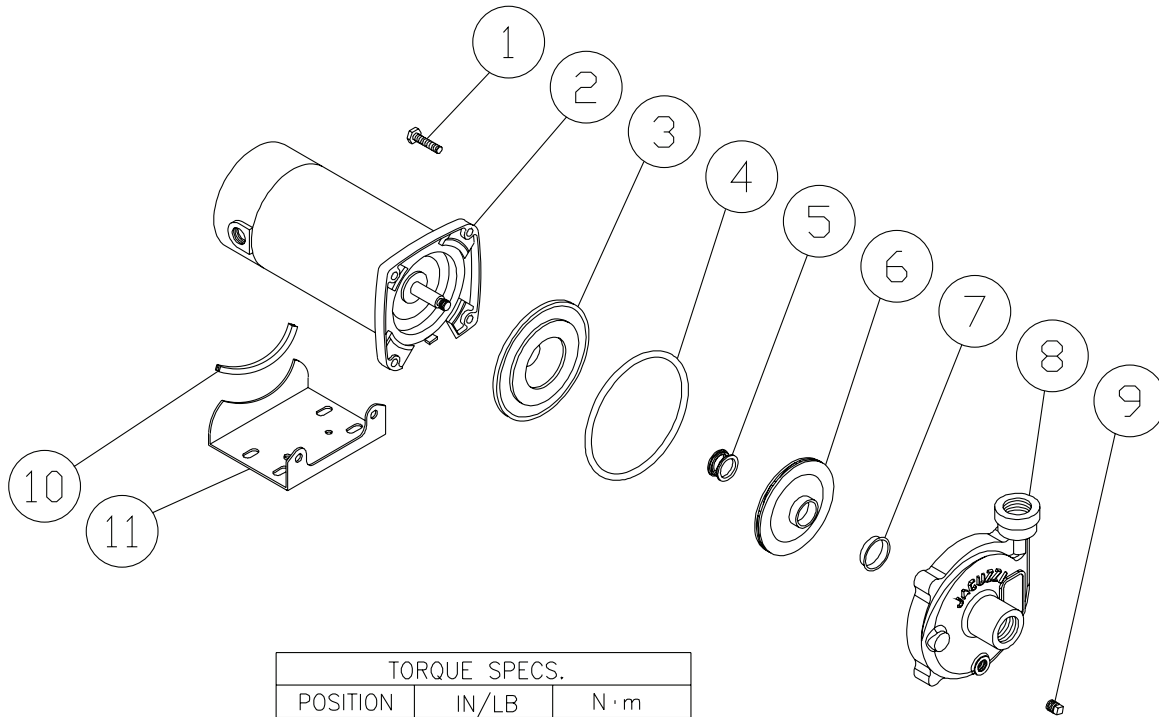
OZONE PUMP ASSEMBLY



OZONE PUMP-053001-KS

OZONE PUMP ASSEMBLY			
REF. #	DESCRIPTION	PART#	QTY.
1	Pump Mount Plate	20-0522A01	1
2	Screw	27-5066	4
3	Lockwasher	29-1007	4
4	Washer	28-0122	8
5	Lag Bolt	27-5276	4
6	Pump	3-0199	1
7	Strain Relief	32-0437	1
8	Cord *(Five Feet Required)	32-0074	1
	Terminal Fork	32-0003	1
	Terminal Flag	32-0492	2
*Must Order in One Foot Lengths			

OZONE PUMP (3-0199)

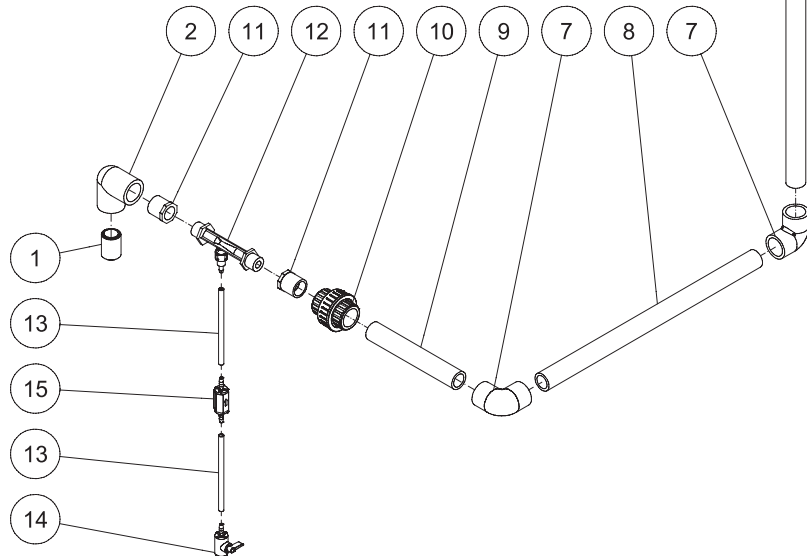
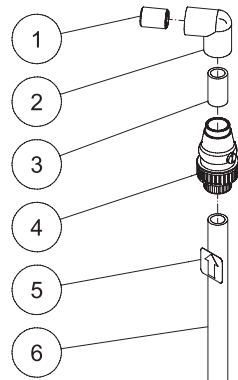


TORQUE SPECS.		
POSITION	IN/LB	N · m
1	150-160	16.9-18.0

3-0199-OZONE-061099-JTR

OZONE PUMP (3-0199)			
REF. #	DESCRIPTION	PART#	QTY.
1	Bolt	27-0117	4
2	Motor- 1/2 H.P.	N/A	1
3	Seal Plate	26-0237	1
4	Square Ring	25-0479	1
5	Mechanical Seal	26-0215	1
6	Impeller	46-0853	1
7	Wear Ring	46-0835	1
8	Pump Head	N/A	1
9	Drain Plug	39-0109	1
10	Motor Pad	33-0320	1
11	Motor Pad Base	5-0144	1
	Complete Ozone Pump (Inc. 1-11)	3-0199	

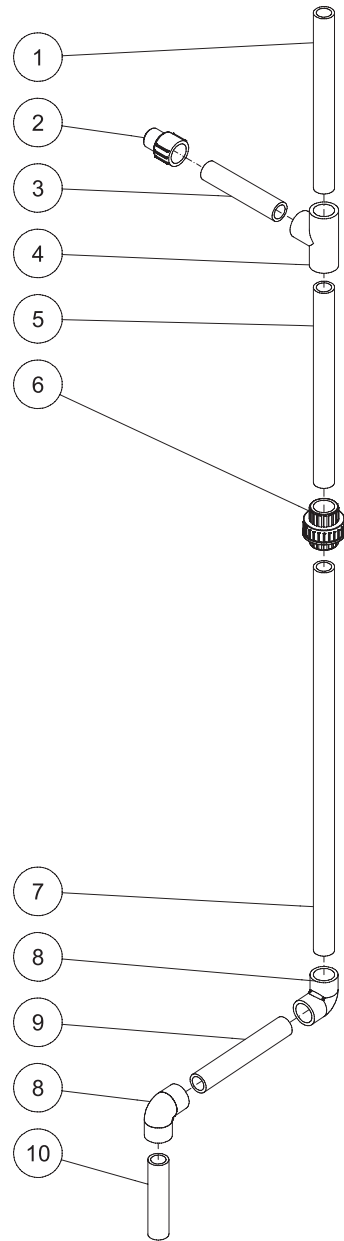
PLUMBING: OZONE PUMP OUTLET ASSEMBLY



OZONE PUMP OUTLET-041907-PJH

PLUMBING: OZONE PUMP OUTLET ASSEMBLY			
REF. #	DESCRIPTION	PART#	QTY.
1	Nipple	55-1274	2
2	Elbow	55-1210	2
3	Pipe *(One Foot Required)	55-1200	1
4	Check Ball Valve	55-1252	1
5	Decal- Arrow	34-0883	1
6	Pipe *(Five Feet Required)	55-1200	1
7	Elbow	55-1209	2
8	Pipe *(Two Feet Required)	55-1200	1
9	Pipe *(One Foot Required)	55-1200	1
10	Union (Inc. 25-0447)	55-1245	1
-	O-ring	25-0447	1
11	Reducer Bushing	55-1228	2
12	Small Mazzei	55-0059	1
13	Hose *(Six Feet Required)	15-0226	1
14	2-Way Ball Valve	22-0074	1
15	Check Valve	22-0286	1

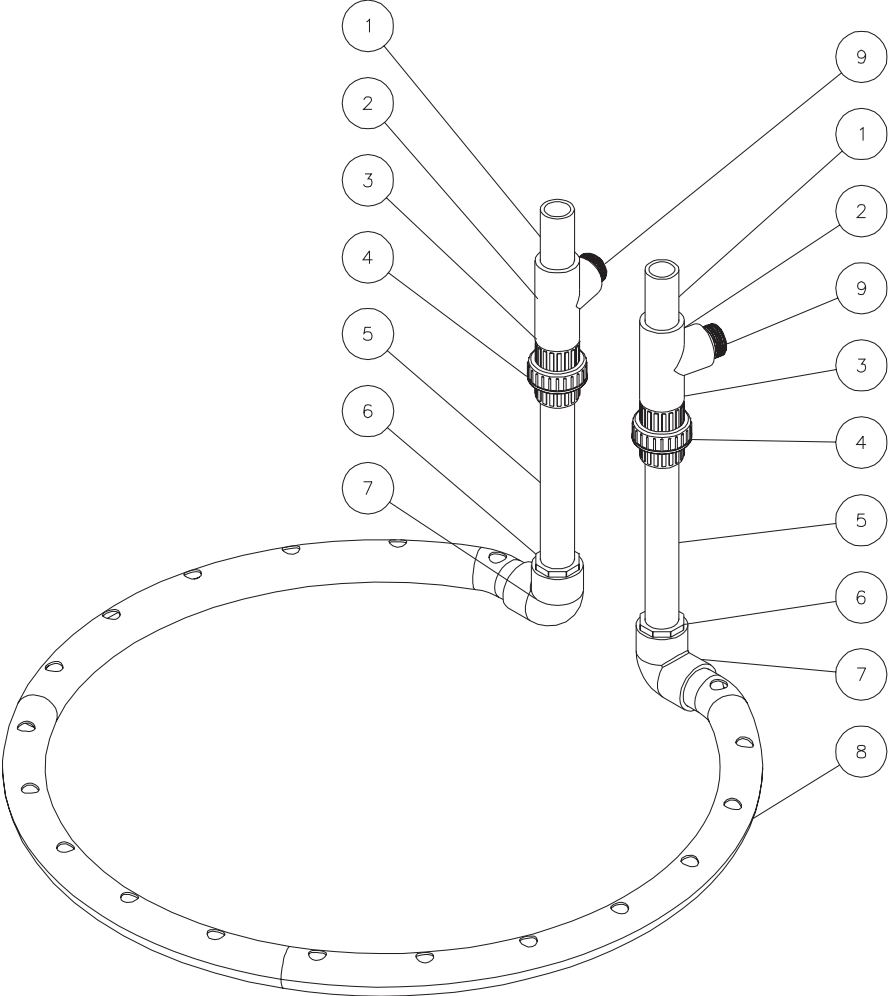
PLUMBING: OIL DECANTER ASSEMBLY



OIL DECANTER PLUMBING-010907-PJH

PLUMBING: OIL DECANTER ASSEMBLY			
REF. #	DESCRIPTION	PART#	QTY.
1	Pipe *(Three Feet Required)	55-1200	1
2	Adapter- Male	55-1222	1
3	Pipe *(One Foot Required)	55-1200	1
4	Tee	55-1201	1
5	Pipe *(Two Feet Required)	55-1200	1
6	Union (Inc. 25-0447)	55-1245	1
-	O-ring	25-0447	1
7	Pipe *(Three Feet Required)	55-1200	1
8	Elbow	55-1209	2
9	Pipe *(One Foot Required)	55-1200	1
10	Pipe *(One Foot Required)	55-1200	1
*Must Order in One Foot Lengths			

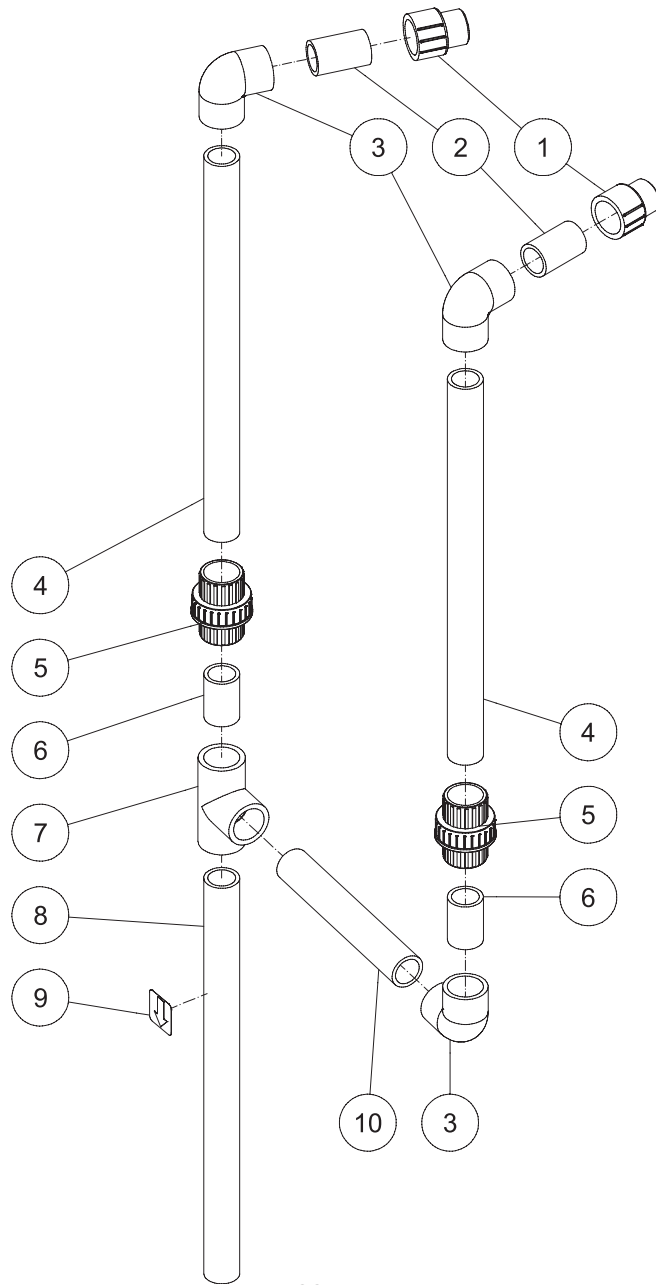
OUTLET RING ASSEMBLY



OUTLET RING 300-110201-KS

OUTLET RING ASSEMBLY			
REF. #	DESCRIPTION	PART#	QTY.
1	Pipe *(1-1/2" x 5-1/8")	55-1600	2
2	Tee	55-1607	2
3	Pipe *(1-1/2" x 2-3/4")	55-1600	2
4	Union (Inc. 25-0448)	55-1645	2
-	O-ring	25-0448	2
5	Pipe *(1-1/2" x 14")	55-1600	2
6	Bushing	55-1823	2
7	Elbow	55-1809	2
8	Flex Pipe	55-0063	1
9	Nipple	55-1674	2
*Must Order in One Foot Lengths			

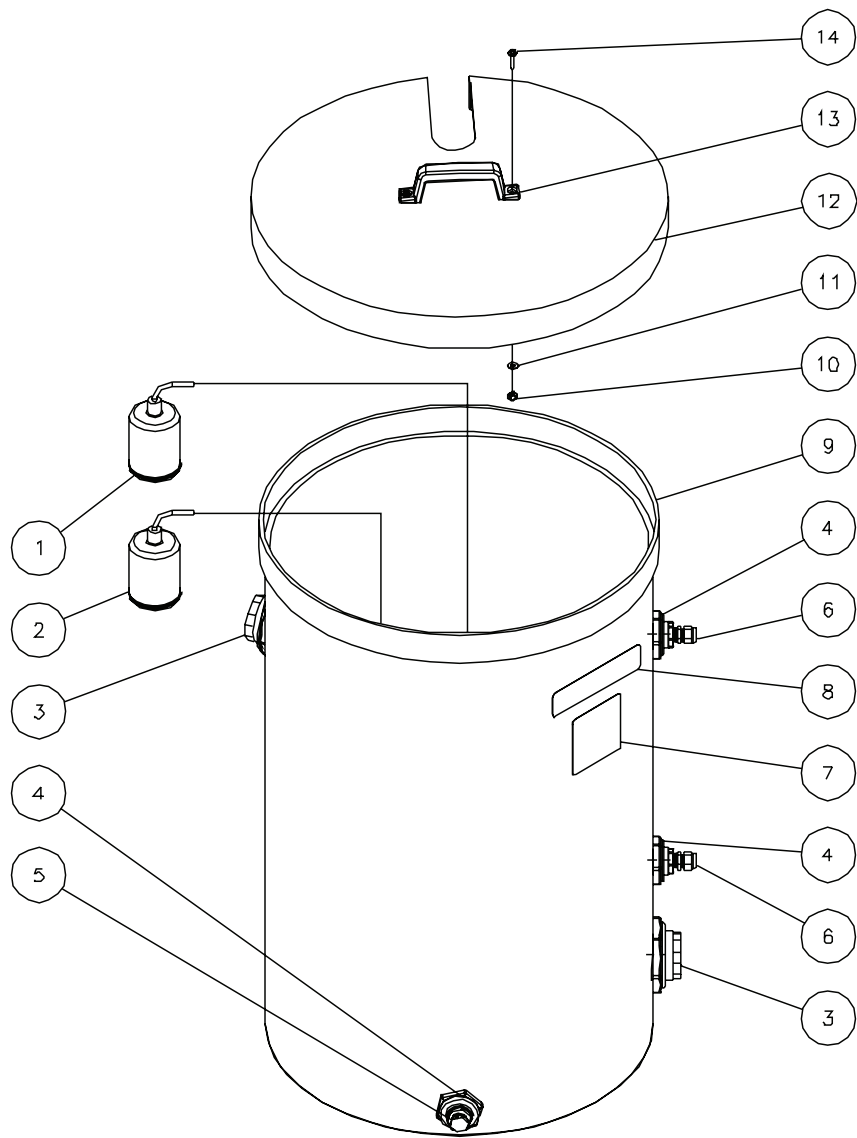
PLUMBING: CLARIFIER TANK OUTLET ASSEMBLY



CLARIFIER TANK OULET-010507-PJH

PLUMBING: CLARIFIER TANK OULET ASSEMBLY			
REF. #	DESCRIPTION	PART#	QTY.
1	Adapter- Male	55-1622	2
2	Pipe *(One Foot Required)	55-1600	2
3	Elbow	55-1609	3
4	Pipe *(Three Feet Required)	55-1600	2
5	Union (Inc. 25-0448)	55-1645	2
-	O-ring	25-0448	2
6	Pipe *(One Foot Required)	55-1600	2
7	Tee	55-1601	1
8	Pipe *(Three Feet Required)	55-1600	1
9	Decal- Arrow	34-0883	1
10	Pipe *(One Foot Required)	55-1600	1
*Must Order in One Foot Lengths			

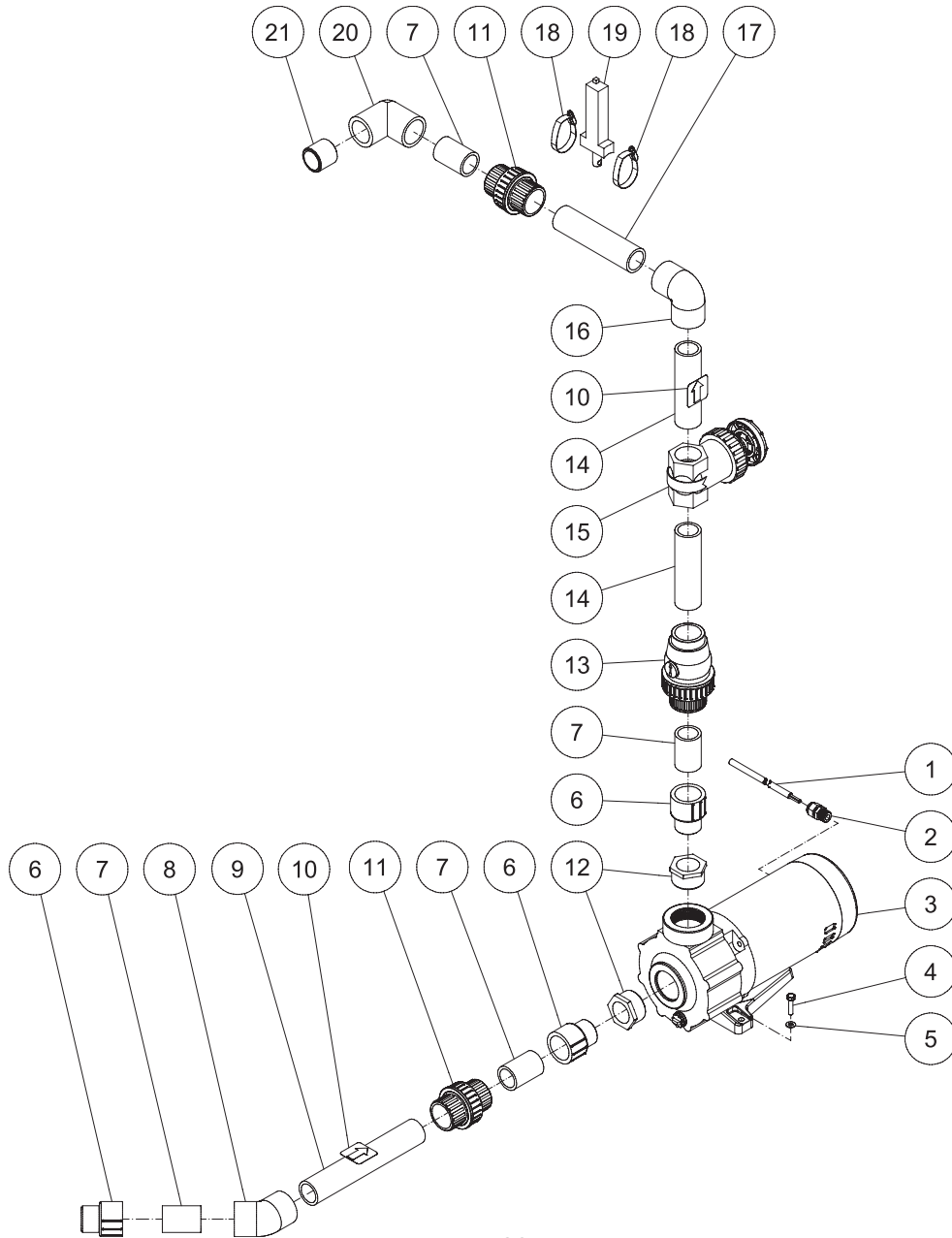
HOLDING TANK ASSEMBLY



HOLDING TANK-112102-KS

HOLDING TANK ASSEMBLY			
REF. #	DESCRIPTION	PART#	QTY.
1	Float	32-0664	1
2	Float	32-0663	1
3	Bulkhead Fitting (Inc. 25-0481)	55-1686	2
-	Gasket	25-0481	2
4	Bulkhead Fitting (Inc. 25-0506)	55-0886	3
-	Gasket	25-0506	3
5	Plug	55-0840	1
6	Strain Relief	32-0437	2
7	Decal- Caution- Nonpotable Water	34-0868	1
8	Decal- Holding Tank	34-1152	1
9	Vertical Tank	12-0127	1
10	Locknut	30-5155	2
11	Washer	28-0121	2
12	Cover	12-0128	1
13	Handle	7-0164	1
14	Screw	27-5018	2

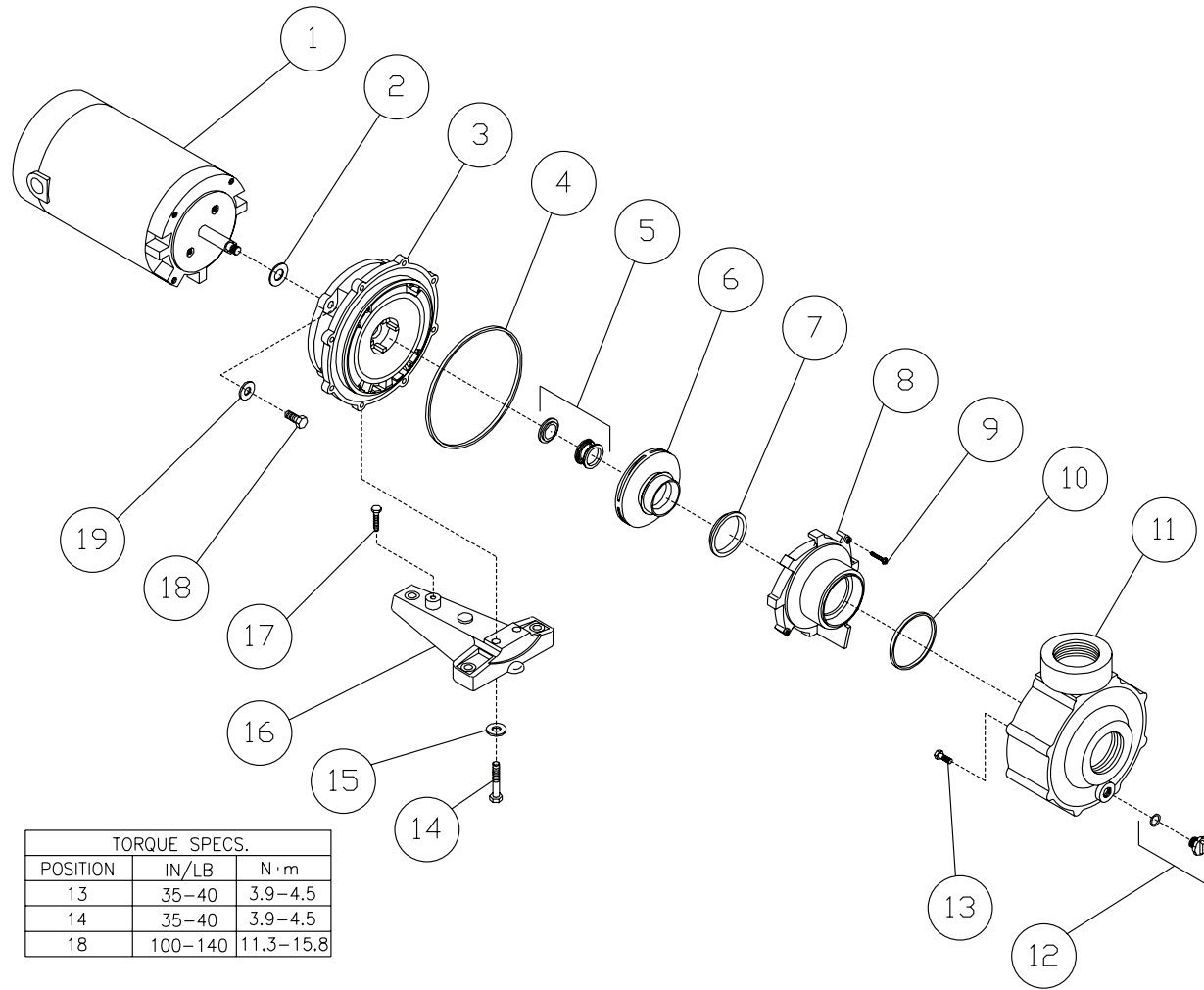
FILTER PUMP ASSEMBLY



FILTER PUMP-010507-PJH

FILTER PUMP ASSEMBLY								
REF. #	DESCRIPTION	PART#	QTY.		REF. #	DESCRIPTION	PART#	QTY.
1	Cord *(Fifteen Feet Required)	32-0074	1		12	Reducer Bushing	55-1833	2
2	Strain Relief	32-0437	1		13	Ball Check Valve	55-1652	1
3	Filter Pump	3-0179	1		14	Pipe *(One Foot Required)	55-1600	2
4	Lag Bolt	27-5276	3		15	Gate Valve	55-1671	1
5	Washer	28-0122	3		16	Elbow	55-1609	1
6	Adapter- Male	55-1622	3		17	Pipe *(One Foot Required)	55-1685	1
7	Pipe *(One Foot Required)	55-1600	1		18	Clamp	42-0027	2
8	Elbow	55-1612	1		19	Flowmeter (Inc. 42-0027)	55-0016	1
9	Pipe *(One Foot Required)	55-1600	1		20	Elbow	55-1610	1
10	Decal- Arrow	34-0883	2		21	Nipple	55-1674	1
11	Union (Inc. 25-0448)	55-1645	2					
-	O-ring	25-0448	2		*Must Order in One Foot Lengths			

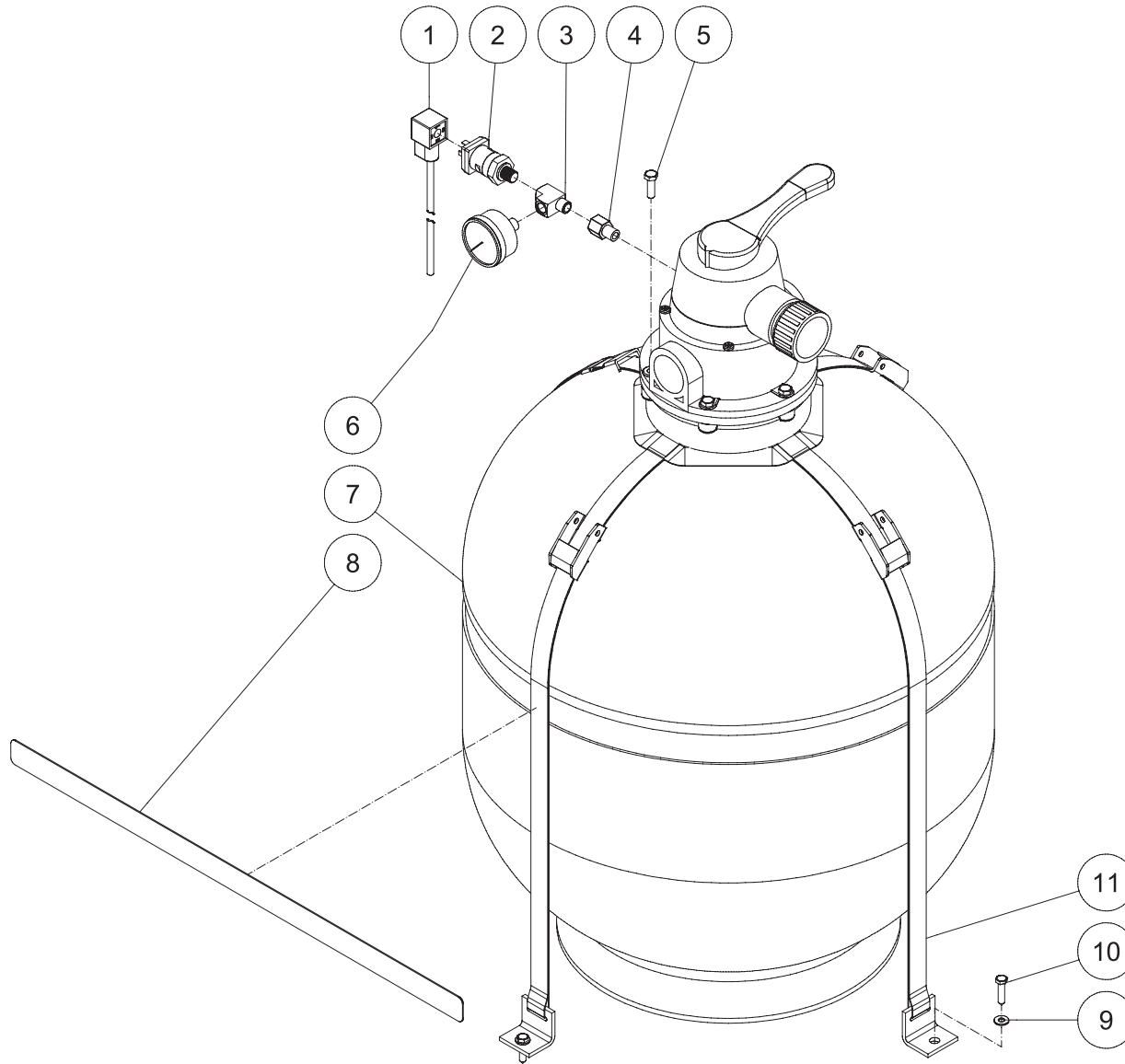
FILTER PUMP (3-0179)



TORQUE SPECS.		
POSITION	IN/LB	N · m
13	35-40	3.9-4.5
14	35-40	3.9-4.5
18	100-140	11.3-15.8

FILTER PUMP (3-0179)								
REF. #	DESCRIPTION	PART#	QTY.		REF. #	DESCRIPTION	PART#	QTY.
1	Motor- 1/2 HP	N/A	1		12	Plug Assembly	39-0110	1
2	Rubber Washer	N/A	1		13	Bolt	27-5016	8
3	Bracket	46-0838	1		14	Bolt (See 70-0252)	N/A Sep.	2
4	Square Ring (See 70-0255)	N/A Sep.	1		15	Washer (See 70-0252)	N/A Sep.	2
5	Mechanical Seal	26-0216	1		16	Base Assembly	5-0145	1
6	Impeller (See 70-0255)	N/A Sep.	1		17	Bolt (See 70-0252)	N/A Sep.	1
7	Eye Seal	26-0217	1		18	Bolt	27-8939	4
8	Diffuser (See 70-0253)	N/A Sep.	1		19	Washer	28-0123	4
9	Bolt	27-8938	2			Fastner Kit (Includes 14,15,17)	70-0252	
10	Square Ring (See 70-0253)	N/A Sep.	1			Diffuser Kit (Includes 8-10)	70-0253	
11	Case Flange Assembly	46-0840	1			Impeller Kit (Includes 4-7)	70-0255	

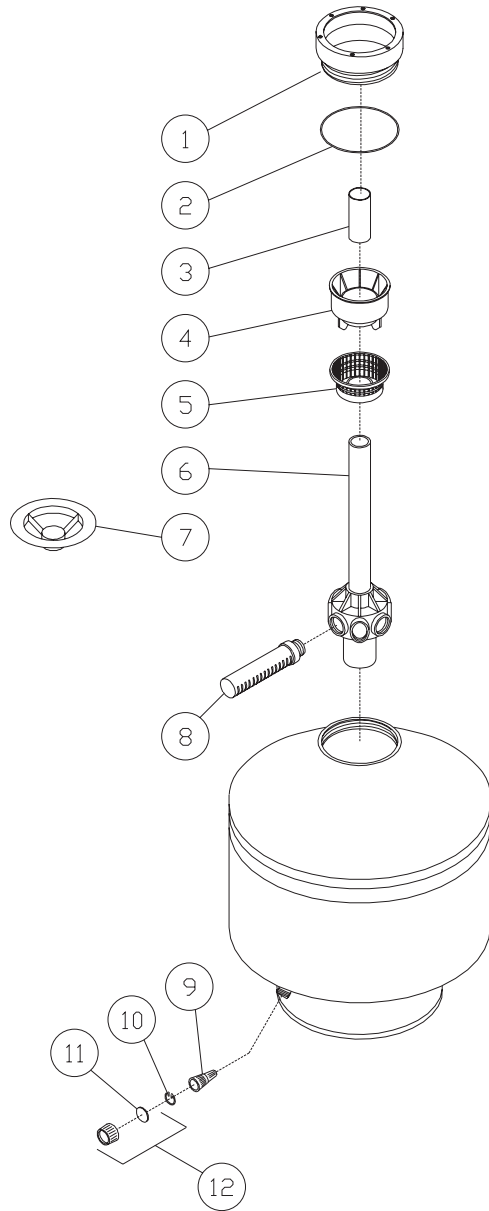
MULTI-MEDIA FILTER ASSEMBLY



MULTI-MEDIA FILTER-010807-PJH

MULTI-MEDIA FILTER ASSEMBLY			
REF. #	DESCRIPTION	PART#	QTY.
1	Cordset	32-0786	1
2	Pressure Switch	22-0382	1
3	Tee	23-0127	1
4	Adapter	23-0126	1
5	Screw	27-5067	6
6	Pressure Gauge	22-0284	1
7	Media Filter	19-0502	1
8	Decal- Multi-Media Filter	34-0874	1
9	Washer	28-0121	4
10	Lag Bolt	27-5277	4
11	Strap Assembly	33-0316	1
12	Gravel- #3 (100 lb bag)(Not Shown)	33-0303	1
13	Gravel- #12 (50 lb bag)(Not Shown)	33-0304	1
14	Gravel- #50 (50 lb bag)(Not Shown)	33-0305	1
15	Filter AG (50 lb bag)(Not Shown)	33-0306	1
*Must Order in One Foot Lengths			

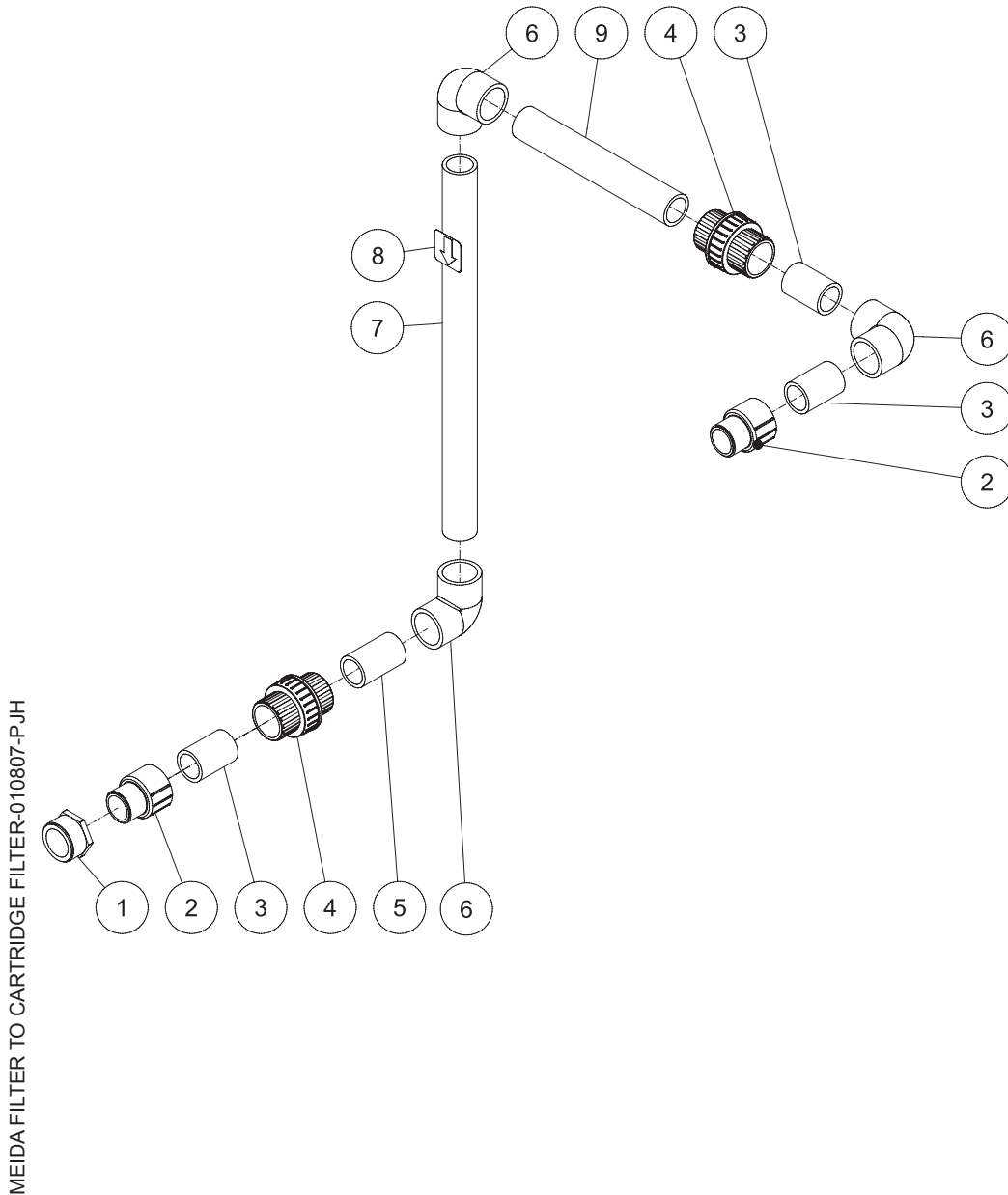
FILTER (19-0502)



19-0502-020499-JJ

FILTER (19-0502)			
REF. #	DESCRIPTION	PART#	QTY.
1	Tank Adapter	19-0518	1
2	O-ring	25-0451	1
3	Pipe	55-0029	1
4	Diverter	19-0511	1
5	Filter Basket	19-0513	1
6	Standpipe Assembly	55-0038	1
7	Fill Spout	19-0512	1
8	Lateral (Eight per package)	55-0040	1
9	Drain Nozzle	18-0335	1
10	Drain Nozzle Retainer	42-0029	1
11	Drain Nozzle Gasket	26-0212	1
12	Drain Cap (Includes Gasket 26-0212)	39-0108	1
	Complete Filter (Inc. 1-12)	19-0502	

PLUMBING: MULTI-MEDIA TO CARTRIDGE FILTER

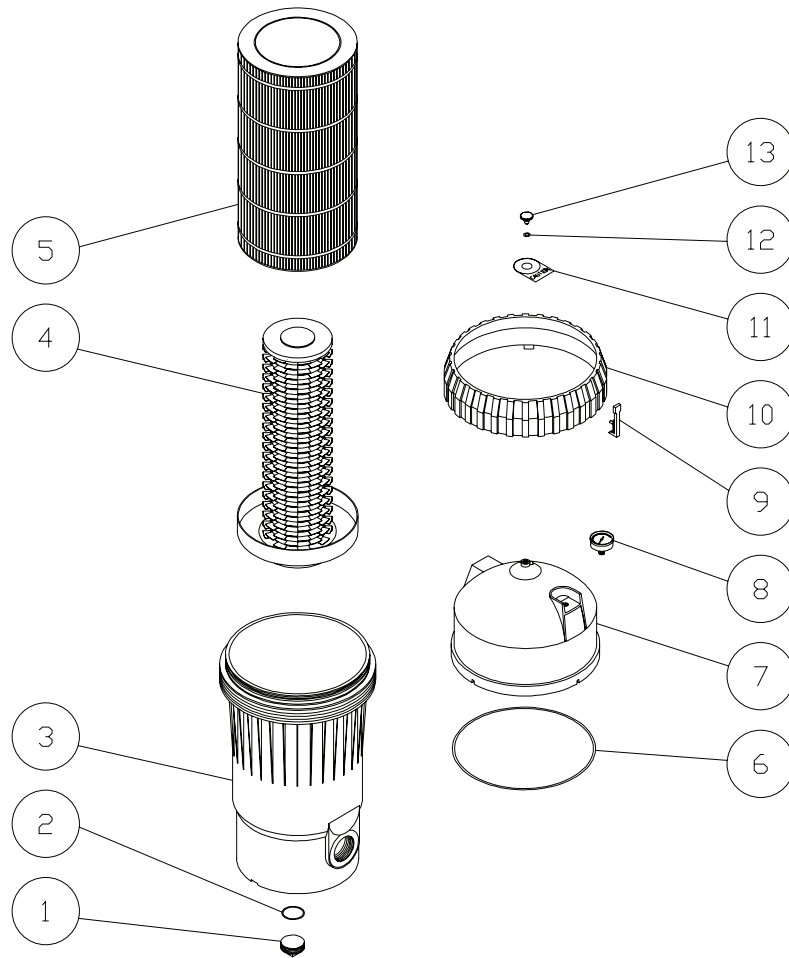


MEDIA FILTER TO CARTRIDGE FILTER-010807-PJH

PLUMBING: MULTI-MEDIA FILTER TO CARTRIDGE FILTER			
REF. #	DESCRIPTION	PART#	QTY.
1	Reducer Bushing	55-1833	1
2	Adapter- Male	55-1622	2
3	Pipe *(One Foot Required)	55-1600	3
4	Union (Inc. 25-0448)	55-1645	2
-	O-ring	25-0448	2
5	Pipe *(One Foot Required)	55-1600	1
6	Elbow	55-1609	3
7	Pipe *(Two Feet Required)	55-1600	1
8	Decal- Arrow	34-0883	1
9	Pipe *(One Foot Required)	55-1685	1
*Must Order in One Foot Lengths			

MEIDA FILTER TO CARTRIDGE FILTER-010807-PJH

CARTRIDGE FILTER (19-0603)

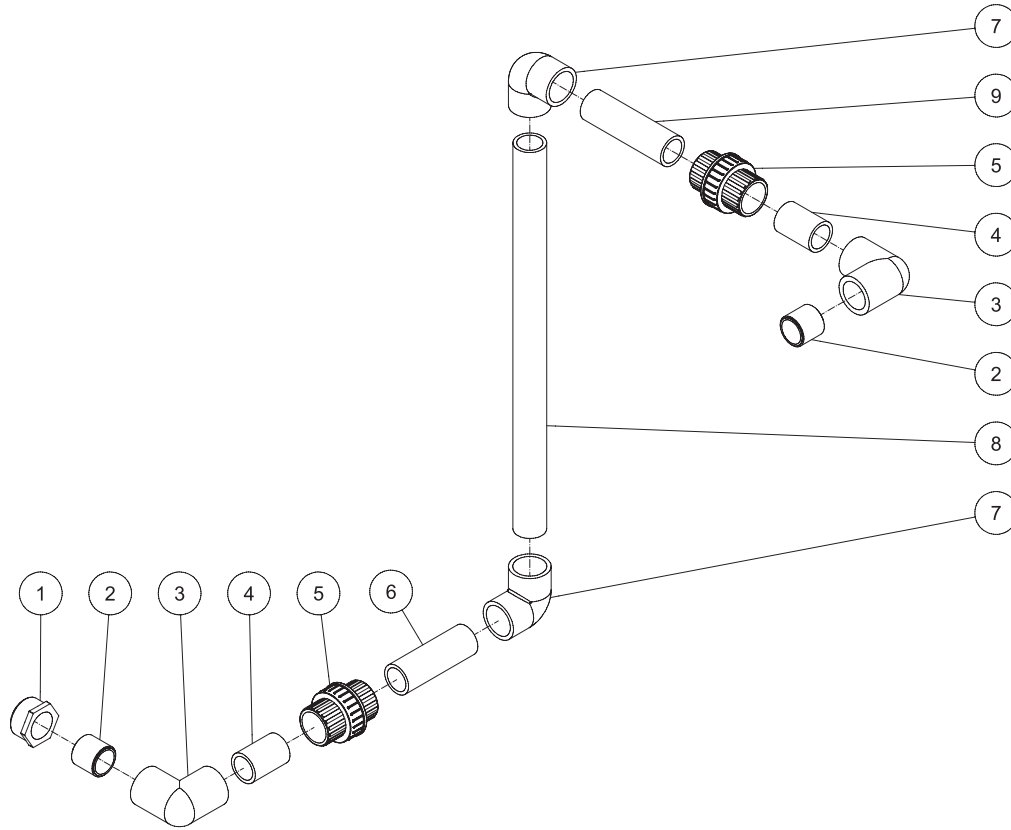


19-0603-022500-JTR

CARTRIDGE FILTER (19-0603)			
REF. #	DESCRIPTION	PART#	QTY.
1	Drain Plug	39-0113	1
2	Gasket (Includes Ref. 1)	25-0462	1
3	Filter Body	19-0612	1
4	Dirt Collector	19-0613	1
5	Filter Element	19-0109	1
6	O-ring	25-0444	1
7	Cover	19-0614	1
8	Pressure Gauge	22-0284	1
9	Cover Latch	19-0615	1
10	Locking Nut	19-0616	1
11	Hang Tag- Warning: Bleed Air	N/A	1
12	O-ring	25-0036	1
13	Knob (Includes O-ring 25-0036)	39-0114	1

PLUMBING: CARTRIDGE FILTER TO POLISHING FILTER

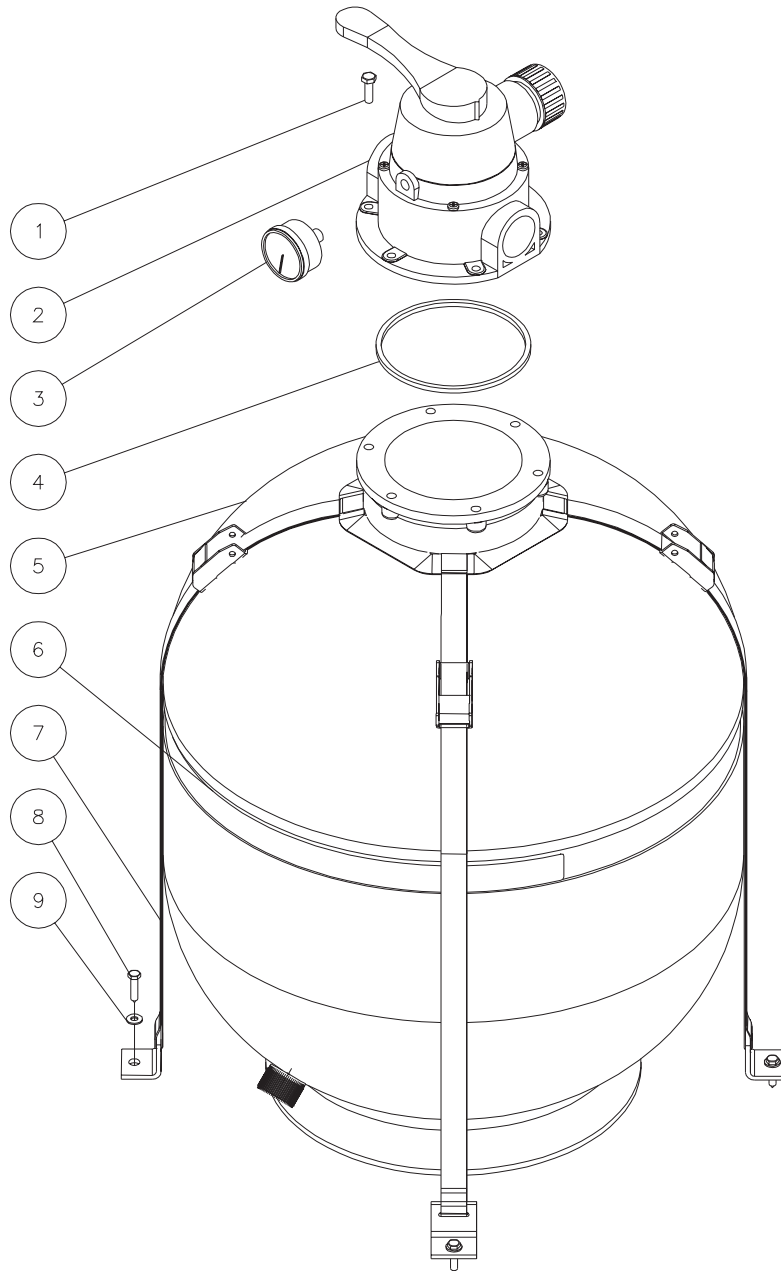
CARTRIDGE FILTER TO POLISHING FILTER-010507-PJH



PLUMBING: CARTRIDGE FILTER TO POLISHING FILTER			
REF. #	DESCRIPTION	PART#	QTY.
1	Reducer Bush	55-1833	1
2	Nipple	55-1674	2
3	Elbow	55-1610	2
4	Pipe *(One Foot Required)	55-1600	2
5	Union (Inc. 25-0448)	55-1645	2
-	O-ring	25-0448	2
6	Pipe *(One Foot Required)	55-1600	1
7	Elbow	55-1609	2
8	Pipe *(Three Feet Required)	55-1600	1
9	Pipe *(One Foot Required)	55-1685	1
*Must Order in One Foot Lengths			

CARTRIDGE FILTER TO POLISHING FILTER-010507-PJH

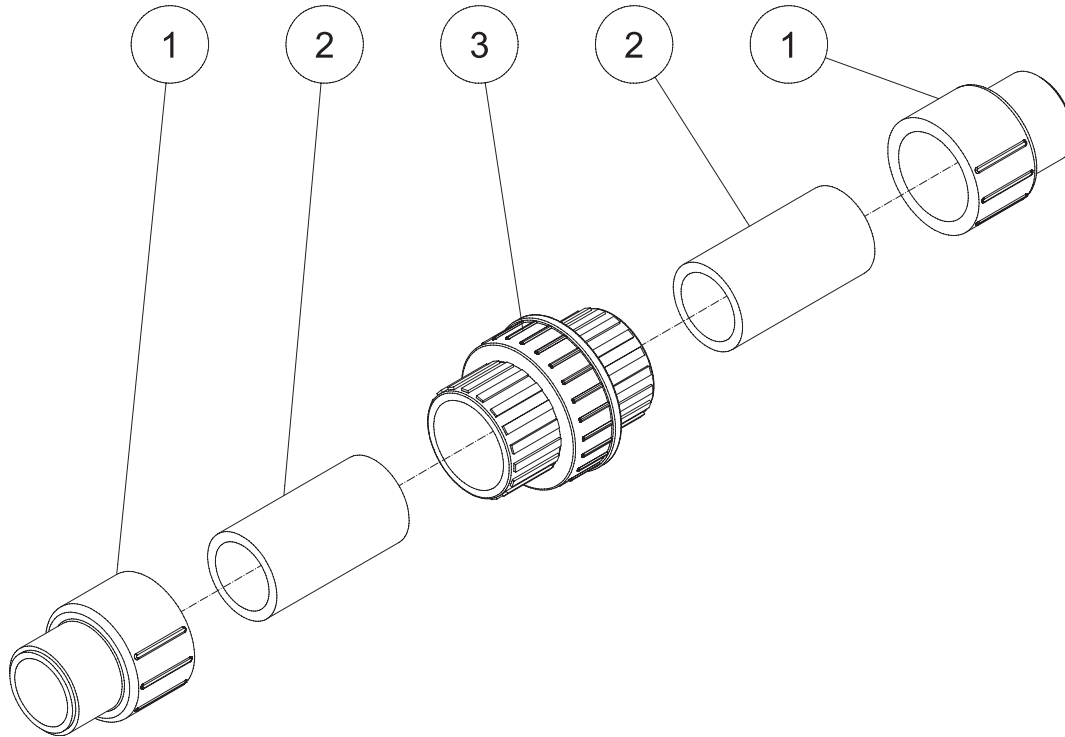
POLISHING FILTER ASSEMBLY



POLISHING FILTER-053001-KS

POLISHING FILTER ASSEMBLY			
REF. #	DESCRIPTION	PART#	QTY.
1	Screw	27-5067	6
2	4-Way Valve (Inc. 1, 3-4)	55-0013	1
3	Pressure Guage	22-0284	1
4	Gasket	25-0441	1
5	Media Filter	19-0502	1
6	Decal- Polishing Filter	34-0875	1
7	Strap Assembly	33-0316	1
8	Lag Bolt	27-5277	4
9	Washer	28-0121	4
	Activated Carbon (55 lb bag)	33-0302	2

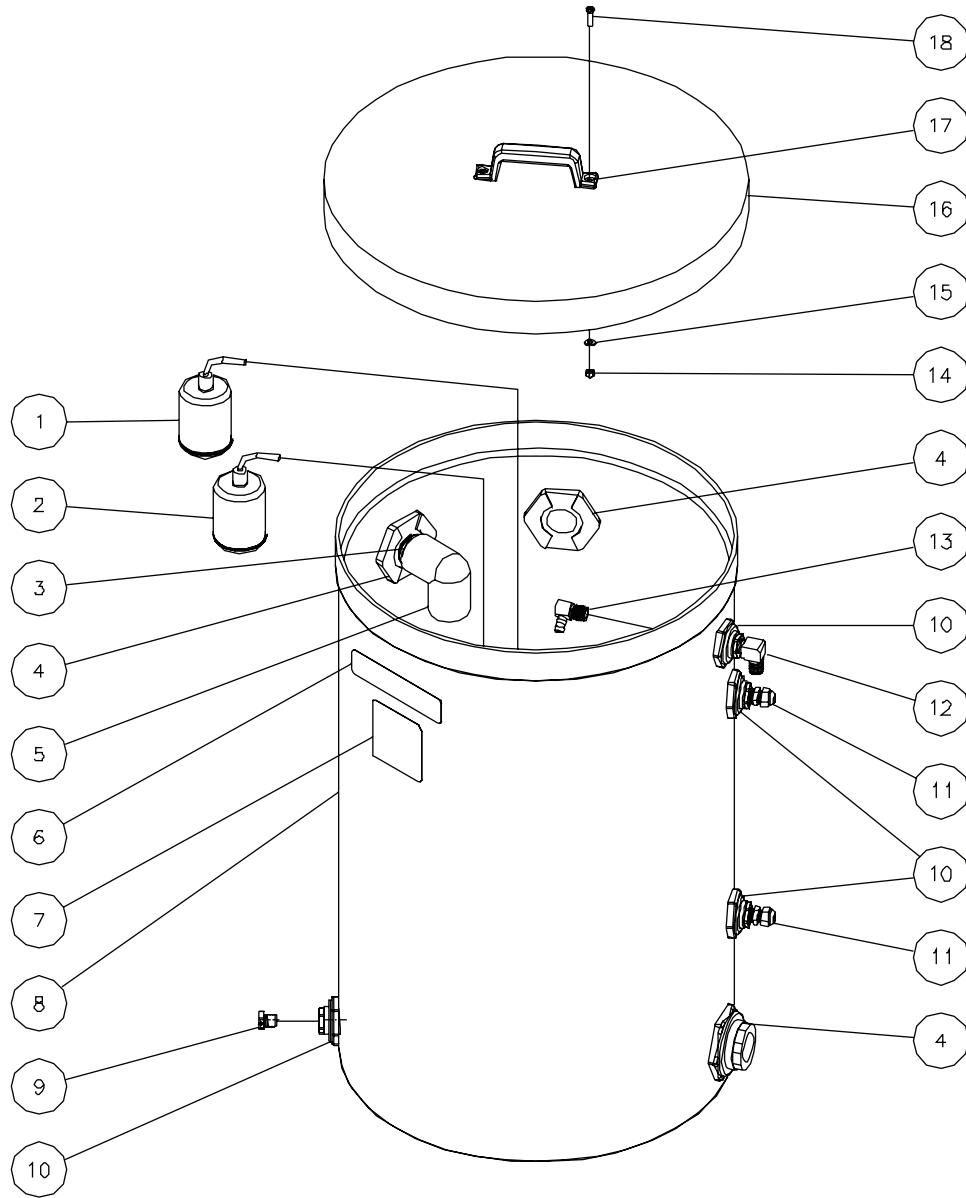
PLUMBING: POLISHING FILTER TO PRODUCT TANK



POLISHING FILTER TO PRODUCT TANK-010907-PJH

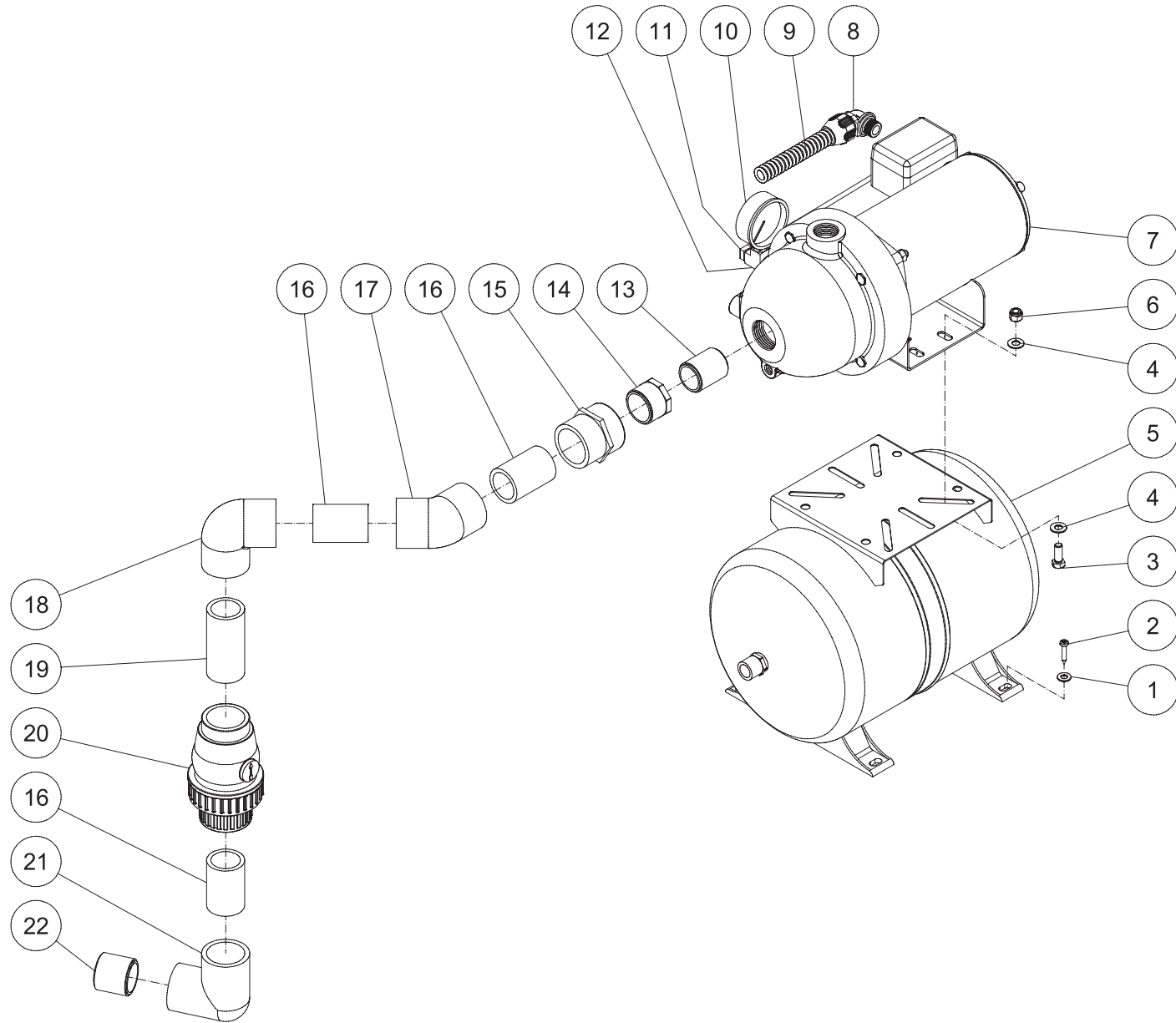
PLUMBING: POLISHING FILTER TO PRODUCT TANK			
REF. #	DESCRIPTION	PART#	QTY.
1	Adapter- Male	55-1622	2
2	Pipe *(One Foot Required)	55-1600	2
3	Union (Inc. 25-0448)	55-1645	1
-	O-ring	25-0448	1

PRODUCT TANK ASSEMBLY



PRODUCT TANK ASSEMBLY								
REF. #	DESCRIPTION	PART#	QTY.		REF. #	DESCRIPTION	PART#	QTY.
1	Float	32-0664	1		10	Bulkhead Fitting (Inc. 25-0506)	55-0886	4
2	Float	32-0663	1		-	Gasket	25-0506	4
3	Nipple	55-1674	1		11	Strain Relief	32-0437	2
4	Bulkhead Fitting (Inc. 25-0481)	55-1686	3		12	Elbow	23-0363	1
-	Gasket	25-0481	3		13	Elbow	23-0053	1
5	Elbow	55-1610	1		14	Locknut	30-5155	2
6	Decal- Product Tank	34-1153	1		15	Washer	28-0121	2
7	Decal- Caution: Nonpotable Water	34-0868	1		16	Cover	12-0128	1
8	Vertical Tank w/ No Cover	12-0127	1		17	Handle	7-0164	1
9	Plug	55-0840	1		18	Screw	27-5018	2
*Must Order in One Foot Lengths								

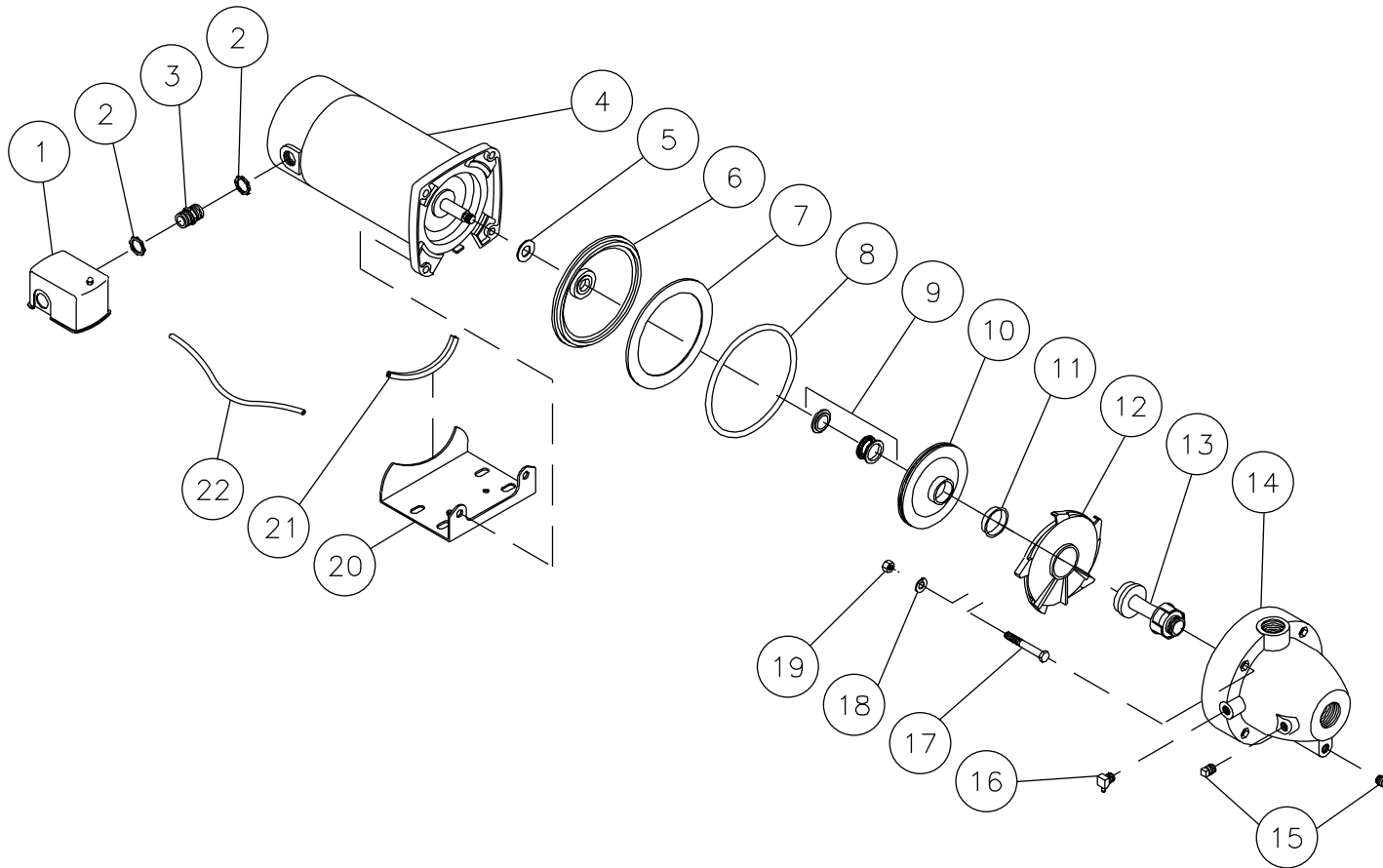
TRANSFER PUMP AND TANK ASSEMBLY (AFTER #30000625)



TRANSFER PUMP_TANK-010907-PJH

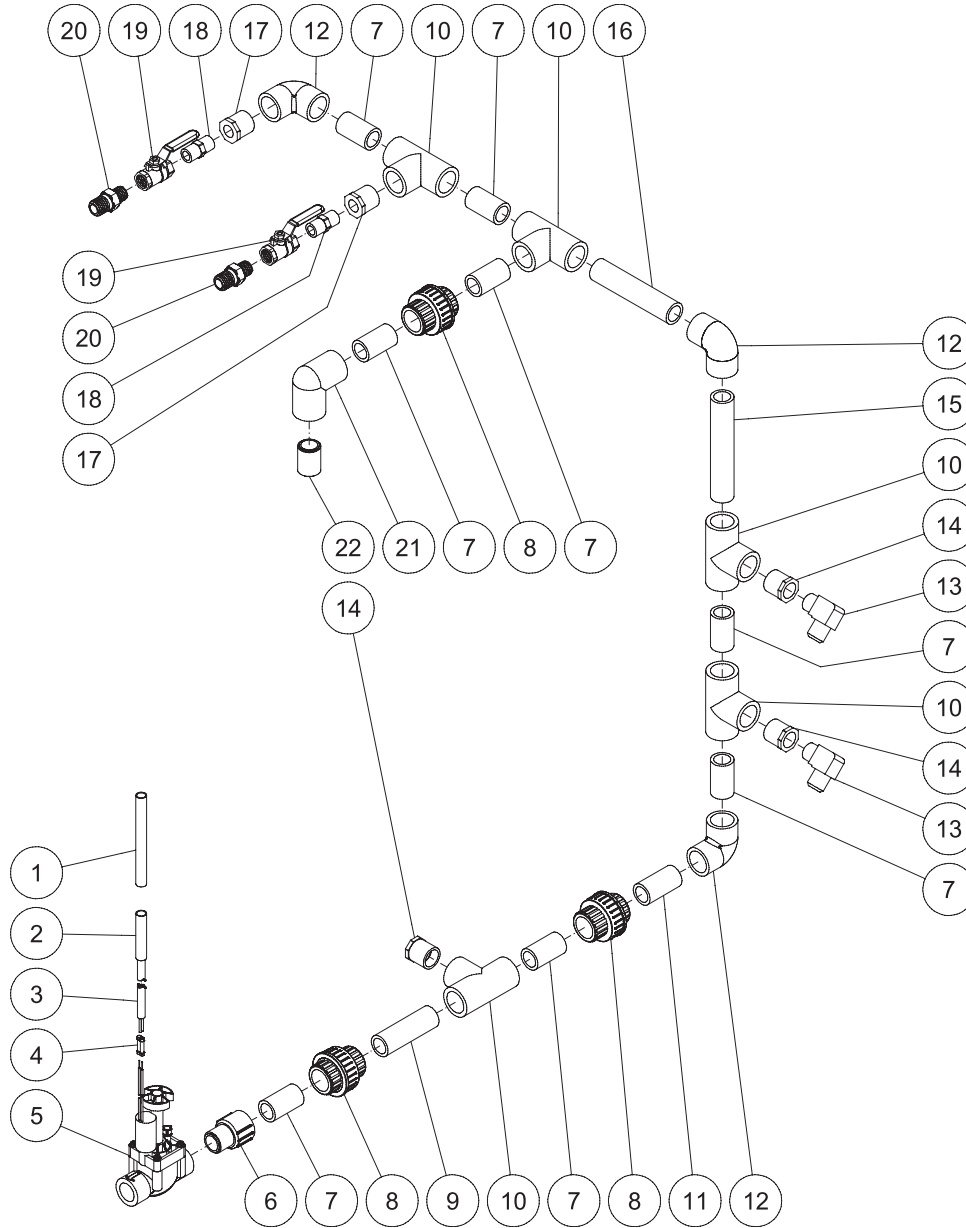
TRANSFER PUMP AND TANK ASSEMBLY								
REF. #	DESCRIPTION	PART#	QTY.		REF. #	DESCRIPTION	PART#	QTY.
1	Washer	28-0122	4		12	Tee	23-0127	1
2	Screw	27-5278	4		13	Nipple	55-1474	1
3	Bolt	27-5117	4		14	Reducer Bushing	55-1633	1
4	Washer	28-0123	8		15	Adapter- Female	55-1621	1
5	Horizontal Pressure Tank	12-0198	1		16	Pipe *(One Foot Required)	55-1600	2
6	Locknut	30-5159	4		17	Elbow	55-1612	1
7	Transfer Pump	3-0181	1		18	Elbow	55-1609	1
8	Conduit Elbow	32-0254	1		19	Pipe *(One Foot Required)	55-1600	1
9	Conduit Flex	32-0253	1		20	Ball Check Valve	55-1652	1
10	Pressure Guage	22-0280	1		21	Elbow	55-1610	1
11	Elbow	23-0381	1		22	Nipple	55-1674	1
*Must Order in One Foot Lengths								

TRANSFER PUMP (3-0181)



TRANSFER PUMP (3-0181)								
REF. #	DESCRIPTION	PART#	QTY.		REF. #	DESCRIPTION	PART#	QTY.
1	Pressure Switch	22-0293	1		13	Venturi	46-0836	1
2	Locknut	32-0108	2		14	Case	46-0837	1
3	Fitting	54-0040	1		15	Plug	39-0109	2
4	Motor (See 3-0181)	N/A Sep.	1		16	Elbow	23-0381	1
5	Rubber Washer (See 3-0181)	N/A Sep.	1		17	Bolt	27-8937	4
6	Seal Plate	26-0214	1		18	Lock Washer	29-0008	4
7	Disk	46-0834	1		19	Nut	30-0006	4
8	O-ring (See 70-0257)	N/A Sep.	1		20	Base (Includes Ref. 21)	5-0144	1
9	Seal	26-0215	1		21	Rubber Protector	33-0320	1
10	Impeller (See 70-0257)	N/A Sep.	1		22	Hose	15-0210	1
11	Wear Ring	46-0835	1			Impeller Kit (Includes 8-12)	70-0257	1
12	Diffuser (See 70-0257)	N/A Sep.	1			Transfer Pump (Includes 1-22)	3-0181	

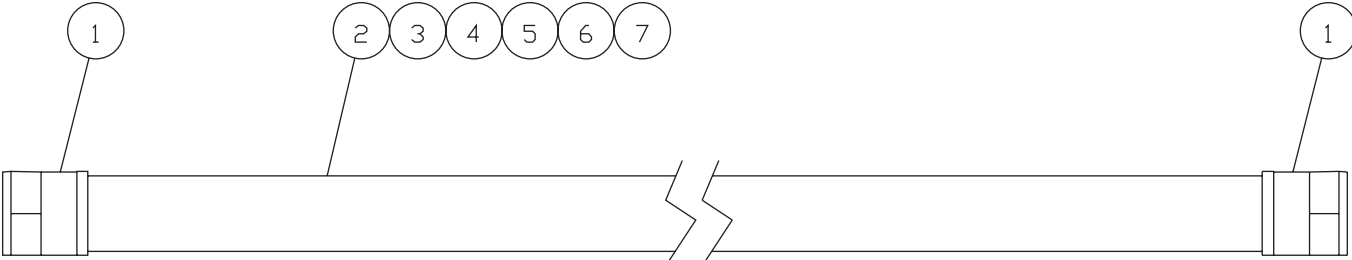
PLUMBING: TRANSFER PUMP MANIFOLD (AFTER #30000625)



TRANSFER PUMP MANIFOLD-010907-PJH

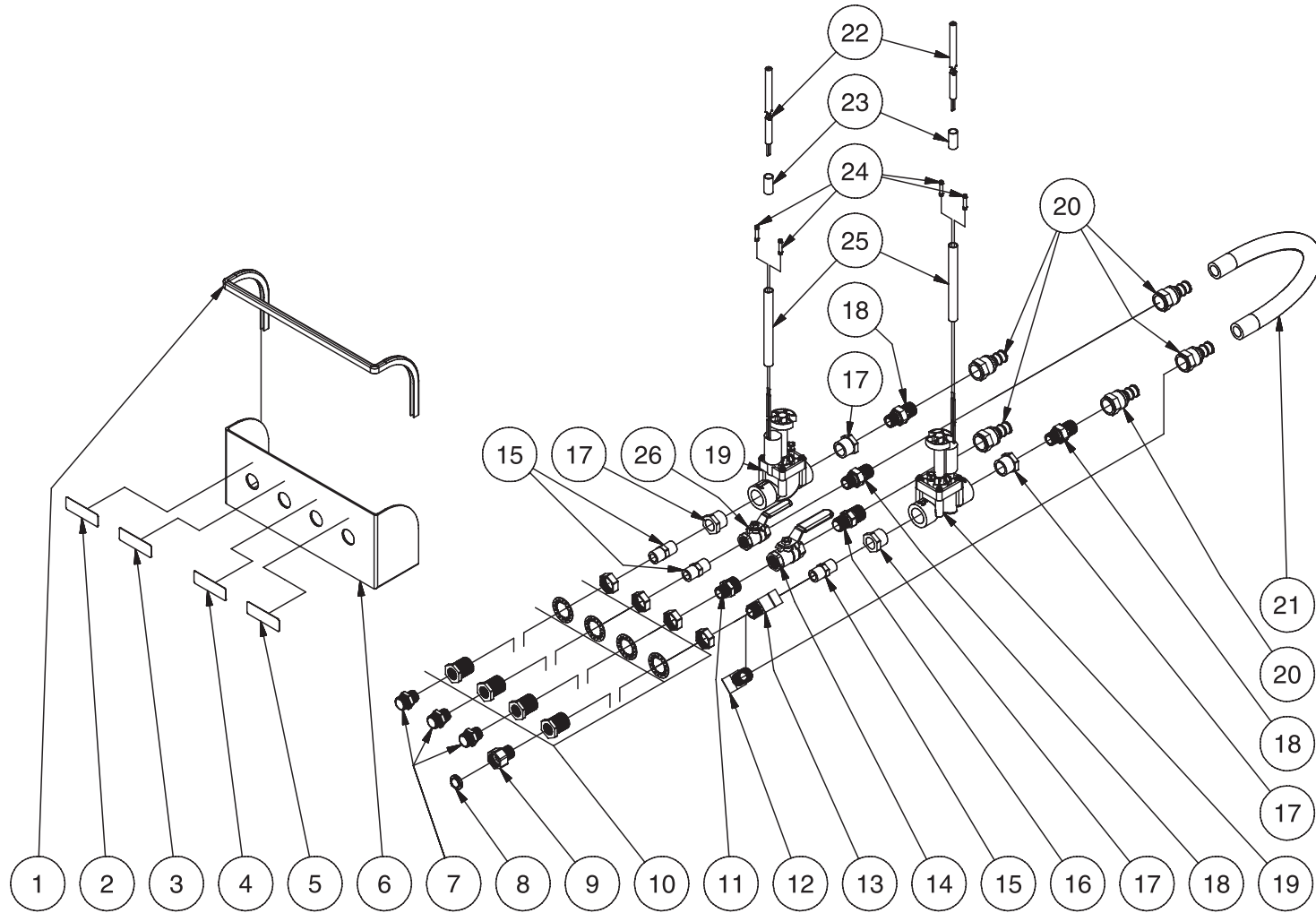
PLUMBING: TRANSFER PUMP MANIFOLD							
REF. #	DESCRIPTION	PART#	QTY.	REF. #	DESCRIPTION	PART#	QTY.
1	Heat Shrink *(One Foot Required)	33-0219	1	12	Elbow	55-1209	3
2	Heat Shrink *(One Foot Required)	33-0219	1	13	Elbow	23-0364	2
3	Cord *(Six Feet Required)	32-0075	1	14	Reducer Bushing	55-1228	3
4	Connector Butt	32-0122	2	15	Pipe *(One Foot Required)	55-1200	1
5	Solenoid Valve	55-0102	1	16	Pipe *(One Foot Required)	55-1200	1
6	Adapter- Male	55-1222	1	17	Reducer Bushing	55-1229	2
7	Pipe *(One Foot Required)	55-1200	8	18	Nipple	23-0012	2
8	Union (Inc. 25-0447)	55-1245	3	19	Ball Valve	22-0278	2
-	O-ring	25-0447	3	20	Nipple	23-0359	2
9	Pipe *(One Foot Required)	55-1200	1	21	Elbow	55-1210	1
10	Tee	55-1201	5	22	Nipple	55-1274	1
11	Pipe *(One Foot Require)	55-1200	1	*Must Order in One Foot Lengths			

HOSE ASSEMBLY



HOSE ASSEMBLIES				
REF. #	HOSE CONNECTION #	DESCRIPTION	PART#	QTY.
1	-	Hose Barb	23-0358	12
2	H 2	Rinse Water Hose *(Two Feet Required)	15-0033	2
3	H 1	Rain Water Overflow Hose *(Two Feet Required)	15-0033	1
4	H 4	Fresh Water Make-up Hose *(Four Feet Required)	15-0033	2
5	H 6	Clarifier Tank Clean-Out Hose *(Three Feet Required)	15-0033	1
6	H 3	Pressure Washer Outlet Hose *(Two Feet Required)	15-0033	1
7	H 5	Drain Clean-Out Hose *(Three Feet Required)	15-0033	1
*Must Order in One Foot Lengths				

MANIFOLD ASSEMBLY

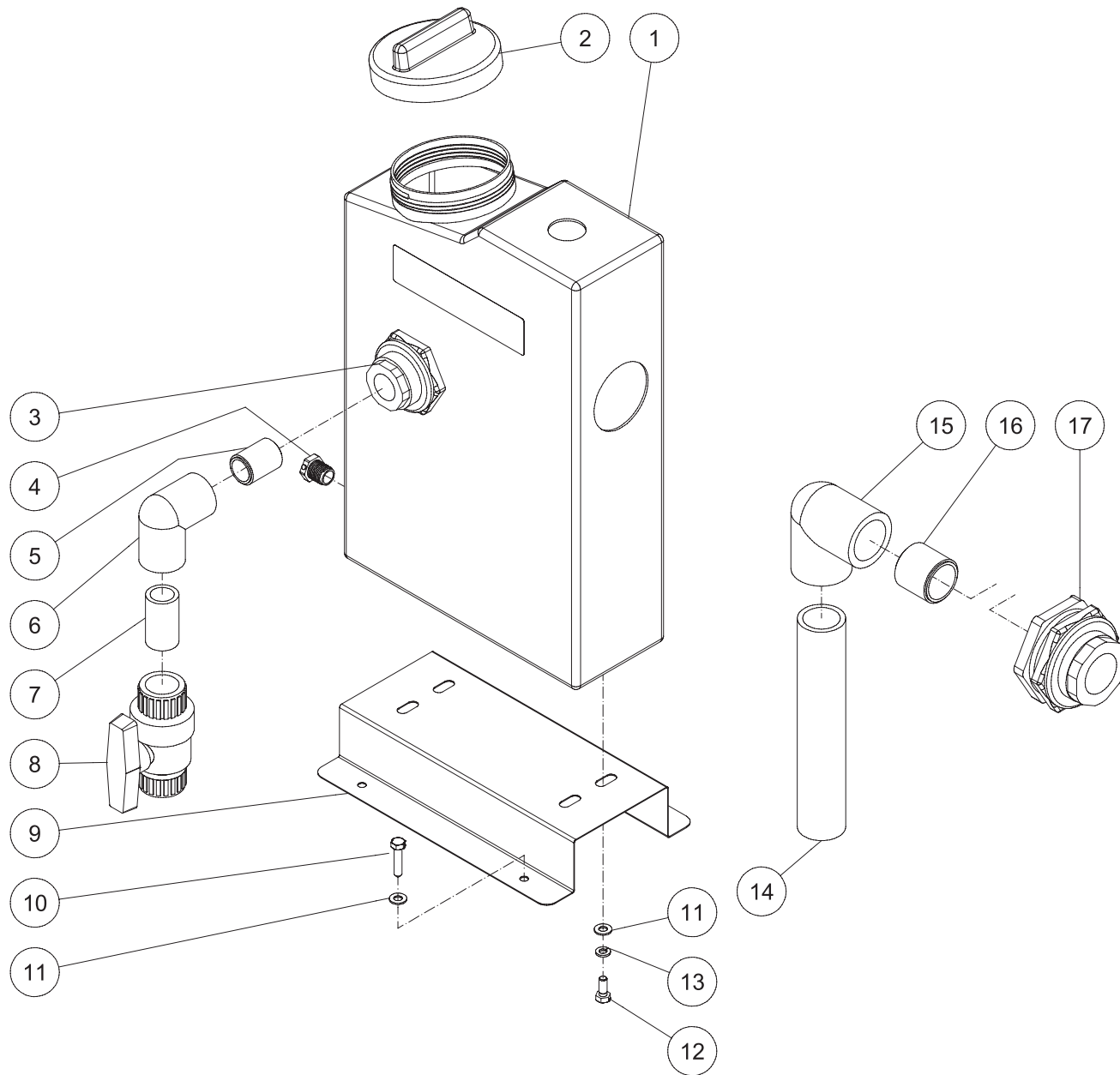


MANIFOLD ASSY-081905-ASY

LOW PROFILE MANIFOLD ASSY- 081905-ASY

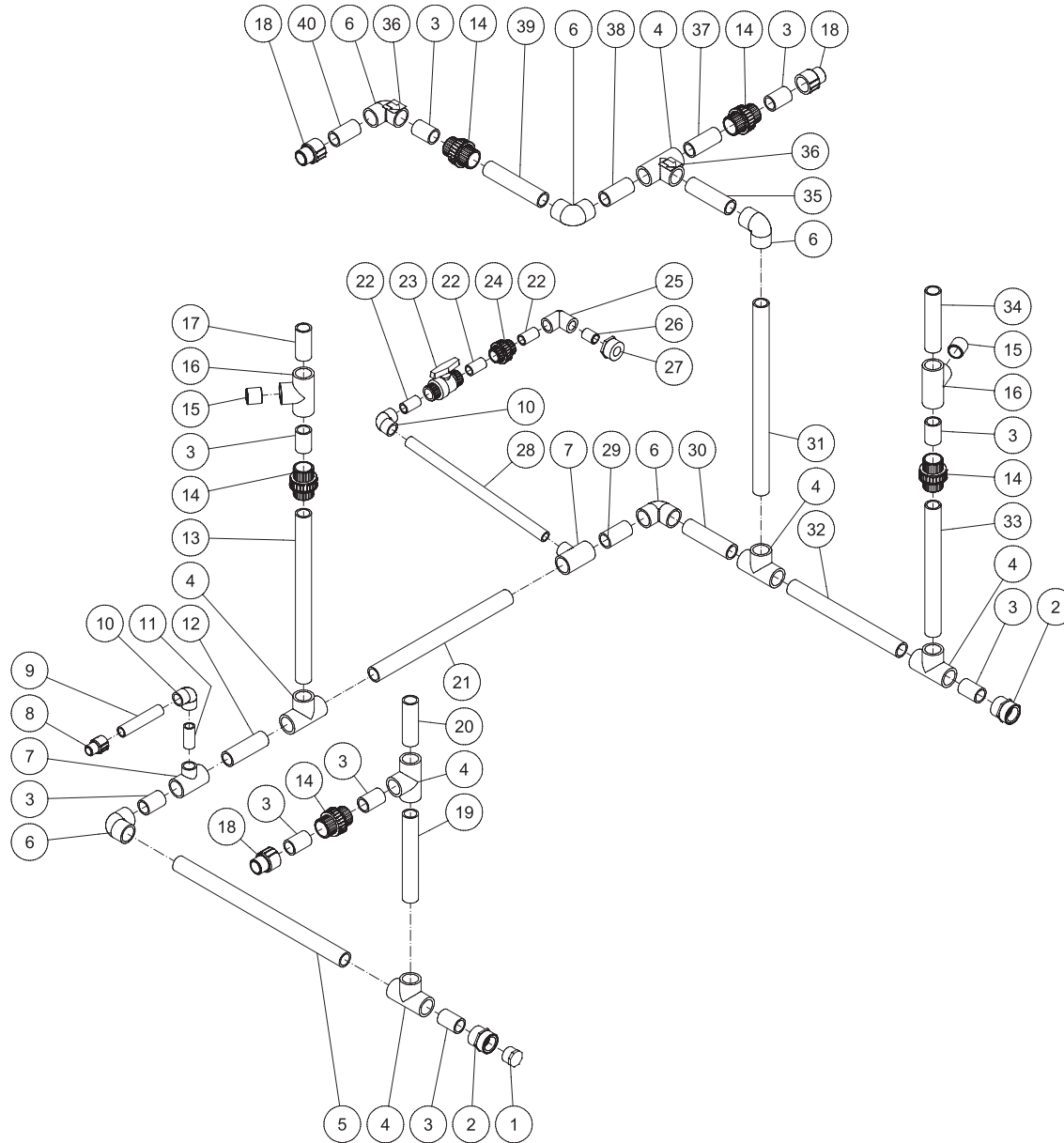
LOW PROFILE MANIFOLD ASSEMBLY								
REF. #	DESCRIPTION	PART#	QTY.		REF. #	DESCRIPTION	PART#	QTY.
1	Edging *(Three Feet Required)	33-0020	1		14	Ball Valve	22-0279	1
2	Decal- Rain Water Overflow	34-0878	1		15	Nipple	23-0012	3
3	Decal- Rinse Water Outlet	34-0876	1		16	Nipple	23-0362	1
4	Decal- Pressure Washer Outlet	34-0877	1		17	Reducer Bushing	55-1234	4
5	Decal- Fresh Water Inlet	34-0879	1		18	Nipple	23-0359	3
6	Manifold Bracket	21-0116	1		19	Solenoid Valve	55-0102	2
7	Adapter	23-0136	3		20	Hose Barb	23-0358	3
8	Inlet Filter	19-0001	1		21	Hose *(Two Feet Required)	15-0033	1
9	Garden Hose Swivel	23-0095	1		22	Cord *(Six Feet Required)	32-0075	2
10	Tank Adapter	23-0365	4		23	Heat Shrink *(One Foot Required)	33-0219	2
11	Nipple	23-0082	1		24	Connector	32-0122	4
12	Elbow	23-0363	1		25	Heat Shrink *(One Foot Required)	33-0219	2
13	Tee	23-0124	1		26	Ball Valve	22-0278	1
*Must Order in One Foot Lengths								

OIL DECANTER ASSEMBLY



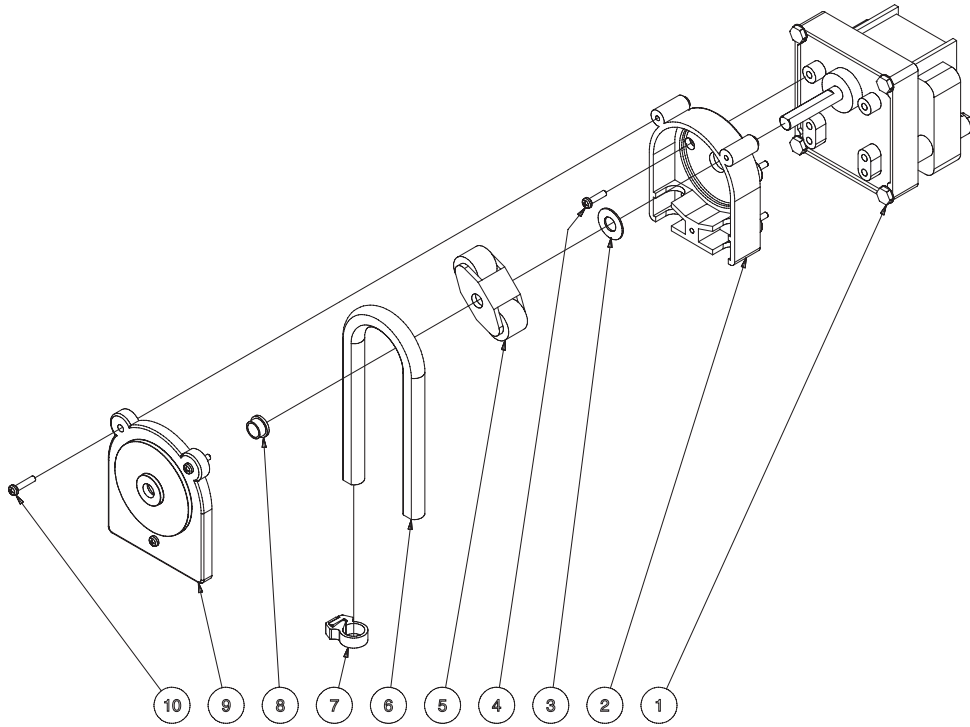
OIL DECANTER ASSEMBLY								
REF. #	DESCRIPTION	PART#	QTY.		REF. #	DESCRIPTION	PART#	QTY.
1	Tank	12-0067	1		10	Lag Bolt	27-5276	4
2	Lid	39-0100	1		11	Washer	28-0122	8
3	Bulkhead Fitting (Inc. 25-0482)	55-1286	1		12	Screw	27-9032	4
-	Gasket	25-0482	1		13	Lockwasher	29-1007	4
4	Plug	55-0840	1		14	Pipe *(One Foot Required)	55-1600	1
5	Nipple	55-1274	1		15	Elbow	55-1610	1
6	Elbow	55-1210	1		16	Nipple	55-1674	1
7	Pipe *(One Foot Required)	55-1200	1		17	Bulkhead Fitting (Inc. 25-0481)	55-1686	1
8	Ball Valve	55-1255	1		-	Gasket	25-0481	1
9	Oil Decanter	21-0142	1		18	Decal- Oil Decanter	34-1151	1
*Must Order in One Foot Lengths								

PLUMBING: DRAIN LINE ASSEMBLY



PLUMBING: DRAIN LINE ASSEMBLY							
REF. #	DESCRIPTION	PART#	QTY.	REF. #	DESCRIPTION	PART#	QTY.
1	Plug	55-1640	1	21	Pipe *(Two Feet Required)	55-1600	1
2	Adapter- Female	55-1621	2	22	Pipe *(One Foot Required)	55-1200	3
3	Pipe *(One Foot Required)	55-1600	1	23	Ball Valve	55-1255	1
4	Tee	55-1601	6	24	Union (Includes 25-0447)	55-1245	1
5	Pipe *(Two Feet Required)	55-1600	1	-	O-ring	25-0447	1
6	Elbow	55-1609	5	25	Elbow	55-1210	1
7	Tee	55-1603	2	26	Nipple	55-1274	1
8	Adapter- Male	55-1222	1	27	Reducer Bushing	55-1835	1
9	Pipe *(One Foot Required)	55-1200	1	28	Pipe *(Two Feet Required)	55-1200	3
10	Elbow	55-1209	2	29	Pipe *(One Foot Required)	55-1600	1
11	Pipe *(One Foot Required)	55-1200	1	30	Pipe *(One Foot Required)	55-1600	1
12	Pipe *(One Foot Required)	55-1600	8	31	Pipe *(Three Feet Required)	55-1600	1
13	Pipe *(One Foot Required)	55-1600	1	32	Pipe *(Two Feet Required)	55-1600	1
14	Union (Inc. 25-0448)	55-1645	5	33	Pipe *(Two Feet Required)	55-1600	1
-	O-ring	25-0448	5	34	Pipe *(One Foot Required)	55-1600	1
15	Nipple	55-1674	2	35	Pipe *(One Foot Required)	55-1685	1
16	Tee	55-1607	2	36	Decal- Backwash Arrow	34-0882	2
17	Pipe *(One Foot Required)	55-1600	2	37	Pipe *(One Foot Required)	55-1600	1
18	Adapter- Male	55-1622	1	38	Pipe *(One Foot Required)	55-1600	1
19	Pipe *(Two Feet Required)	55-1600	1	39	Pipe *(One Foot Required)	55-1685	1
20	Pipe *(One Foot Required)	55-1600	1	40	Pipe *(One Foot Required)	55-1600	1
*Must Order in One Foot Lengths							

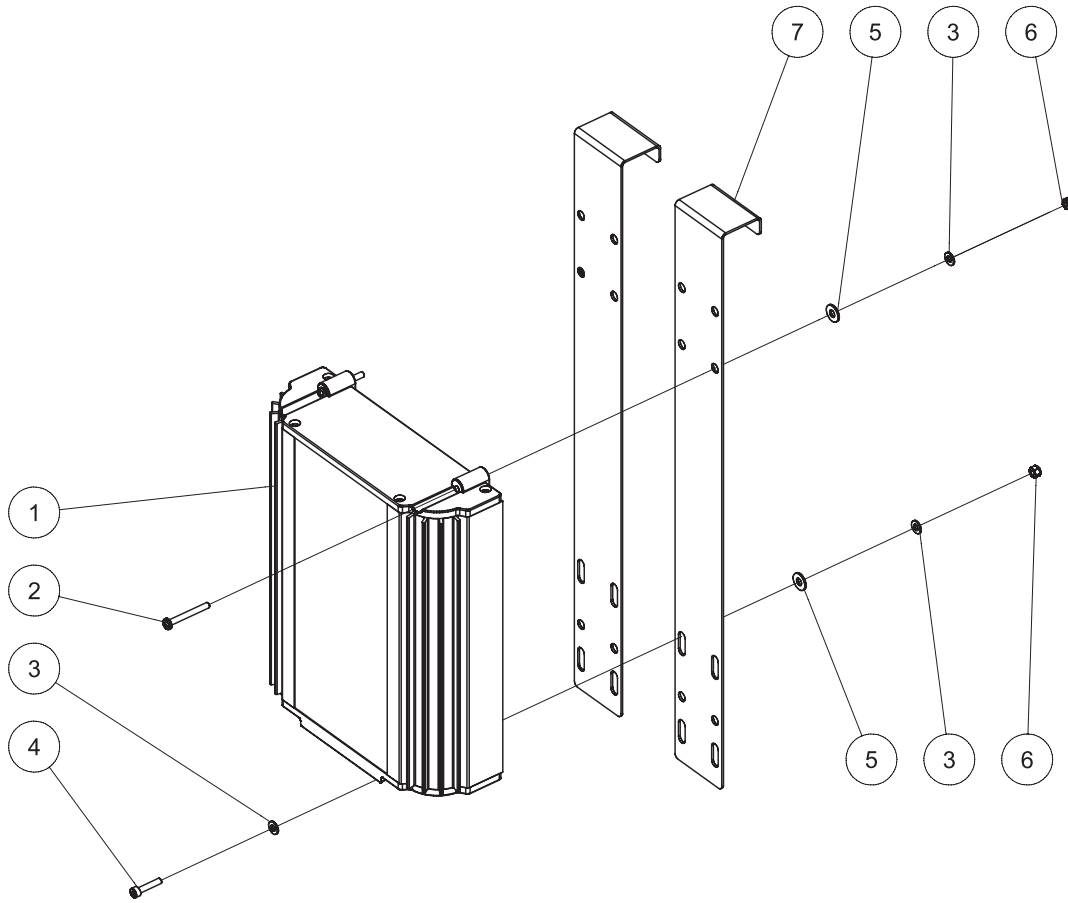
PH / ORP PUMP (3-0182)



3-0182-042604-ASY

PH/ ORP PUMP (3-0182)			
REF. #	DESCRIPTION	PART#	QTY.
1	Motor	N/A	1
2	Housing (See 70-0245)	N/A Sep.	1
3	Screw	27-2771	4
4	Washer (See 70-0245)	N/A Sep.	1
5	Roller Bracket Assembly	46-0830	1
6	Tube	15-0205	1
7	Clamp	42-0028	1
8	Bushing	9-0080	1
9	Pump Cover (See 70-0245)	N/A Sep.	1
10	Screw (See 70-0245)	N/A Sep.	3
	PH/ORP Pump Kit (Includes 2, 4, 5, 9, 10)	70-0245	1
	PH/ORP Pump (Includes 1- 10)	3-0182	1

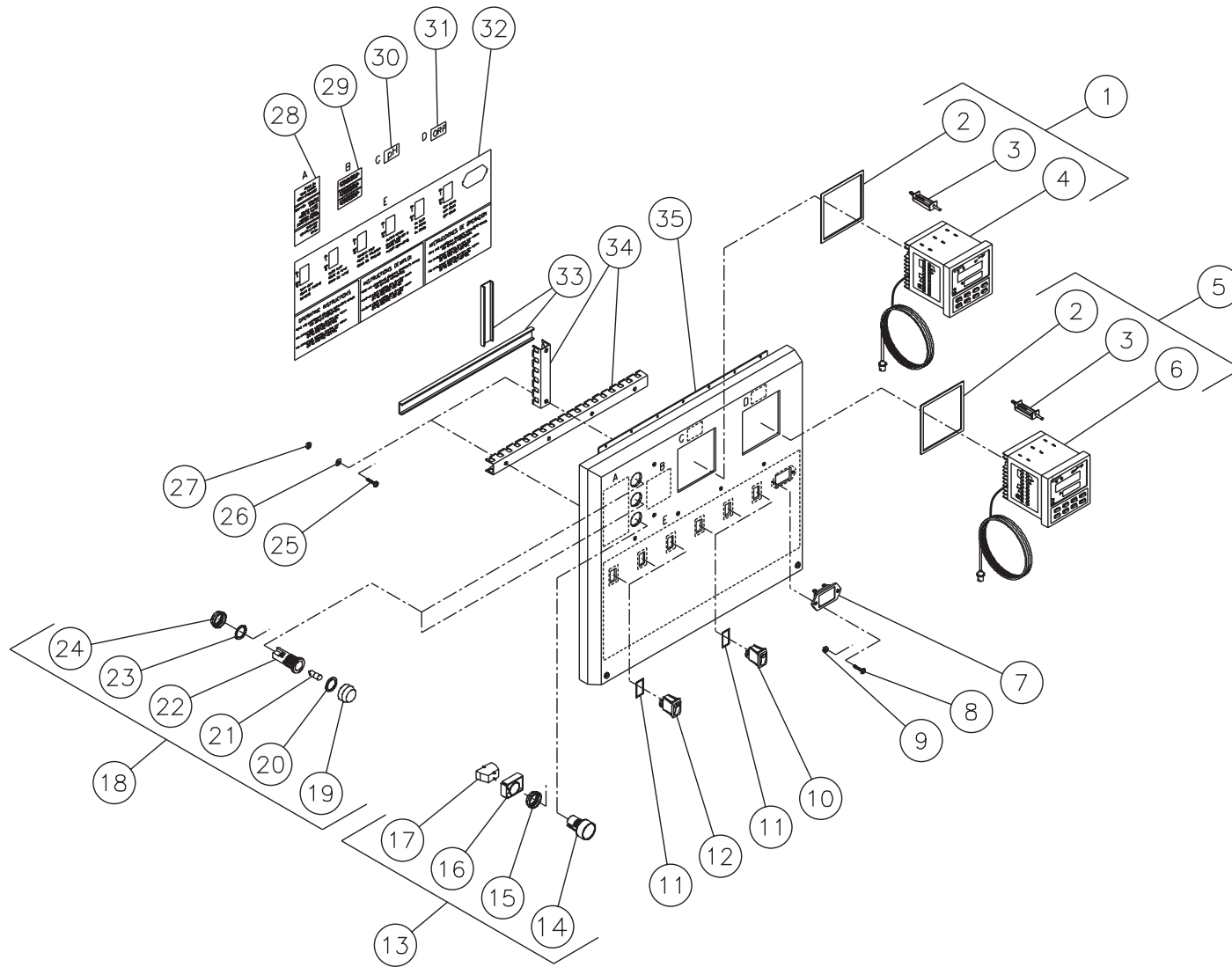
OZONE GENERATOR ASSEMBLY



OZONE GENERATOR ASSEMBLY-WCP-10-0M10-010507-PJH

OZONE GENERATOR ASSEMBLY			
REF. #	DESCRIPTION	PART#	QTY.
1	Ozone Generator	32-0866	1
2	Bolt	27-5032	2
3	Washer	28-0010	6
4	Screw	27-8930	2
5	Washer	28-0120	4
6	Locknut	30-8152	4
7	Hanger Bracket	21-0177	2

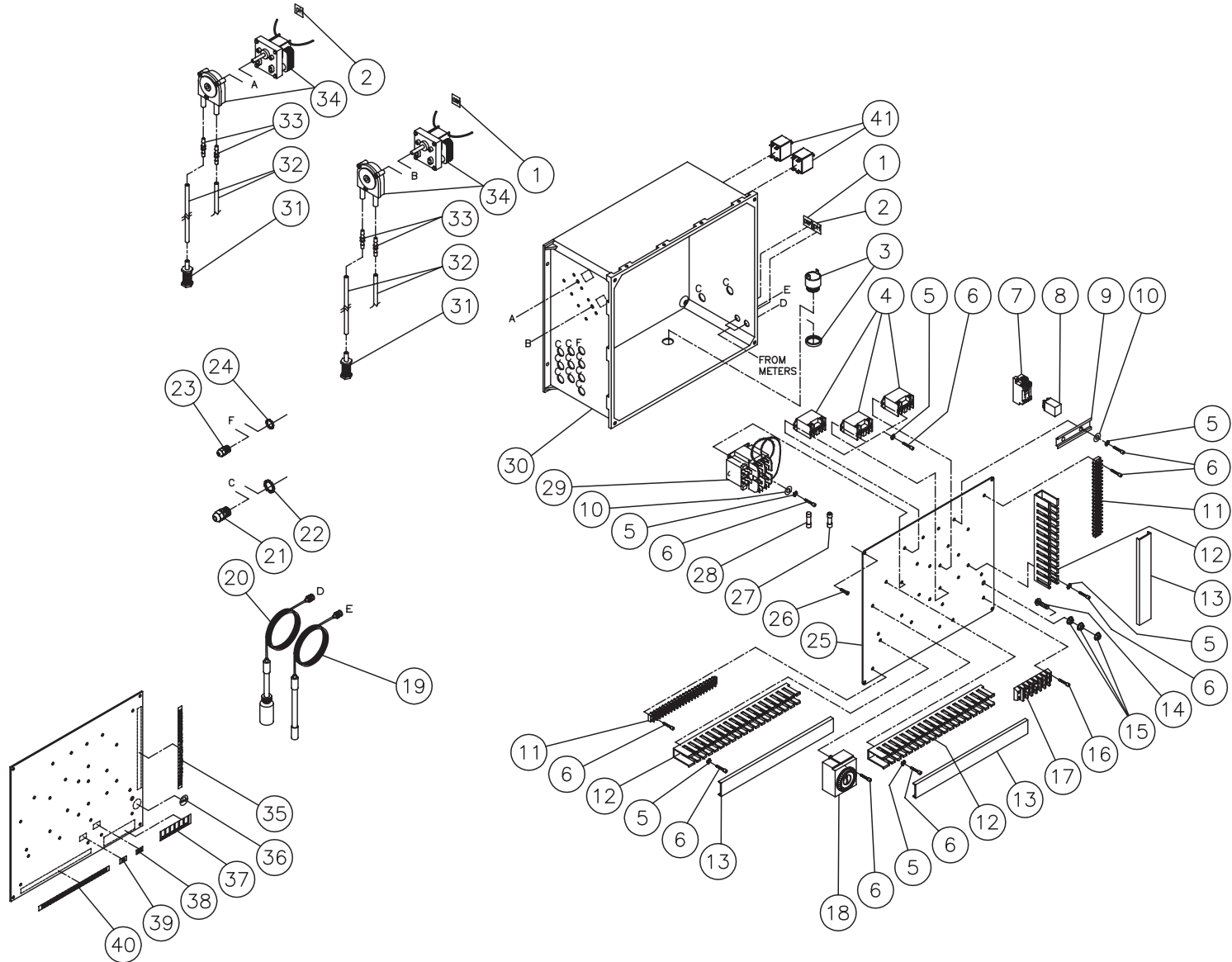
CONTROL PANEL- LID



CONTROL PNL LID-061302-KS

CONTROL PANEL - LID									
REF. #	DESCRIPTION	PART#	QTY.		REF. #	DESCRIPTION	PART#	QTY.	
1	Complete pH Meter / Controller (Inc. 2-4)	32-0537	1		19	Lens (Inc. 32-0535)	N/A Sep.	1	
2	Gasket (See 32-0537)	N/A Sep.	2		20	Gasket (Inc. 32-0535)	N/A Sep.	1	
3	Tightener (See 32-0537)	N/A Sep.	2		21	Bulb	32-0628	1	
4	pH meter / Controller (See 32-0537)	N/A Sep.	1		22	Body (See 32-0535)	N/A Sep.	1	
5	Complete ORP Meter / Controller (Inc. 2, 3, 6)	32-0539	1		23	Gasket (See 32-0535)	N/A Sep.	1	
6	ORP Meter / Controller (See 32-0539)	N/A Sep.	1		24	Retainer Ring (See 32-0535)	N/A Sep.	1	
7	Hourmeter	32-0668	1		25	Screw	27-8927	6	
8	Bolt	27-8928	2		26	Washer	28-0010	6	
9	Locknut	30-8151	2		27	Locknut	30-8152	6	
10	Rocker Switch- 240V	32-0552	3		28	Decal- Backwash Controls (See 34-9010)	N/A Sep.	1	
11	Switch Gasket	32-0553	6		29	Decal- Backwash Instructions (See 34-9010)	N/A Sep.	1	
12	Rocker Switch- 24V	32-0551	3		30	Decal- pH (See 34-9010)	N/A Sep.	1	
13	Complete Push Button Switch (Inc. 14-17)	32-0534	1		31	Decal- ORP (See 34-9010)	N/A Sep.	1	
14	Push Button (See 32-0534)	N/A Sep.	1		32	Decal- Control Panel Switches (See 34-9010)	N/A Sep.	1	
15	Retainer Ring (See 32-0534)	N/A Sep.	1		33	Conduit Lid *(Two Feet Required)	32-0318	1	
16	Body (See 32-0534)	N/A Sep.	1		34	Conduit Track *(Two Feet Required)	32-0317	1	
17	Switch (See 32-0534)	N/A Sep.	1		35	Electrical Box Lid	32-0543	1	
18	Complete Indicator Light (Inc. 19-24)	32-0535	2			Safety Decal Kit (Inc. 28-32)	34-9010		
*Must Order in One Foot Lengths									

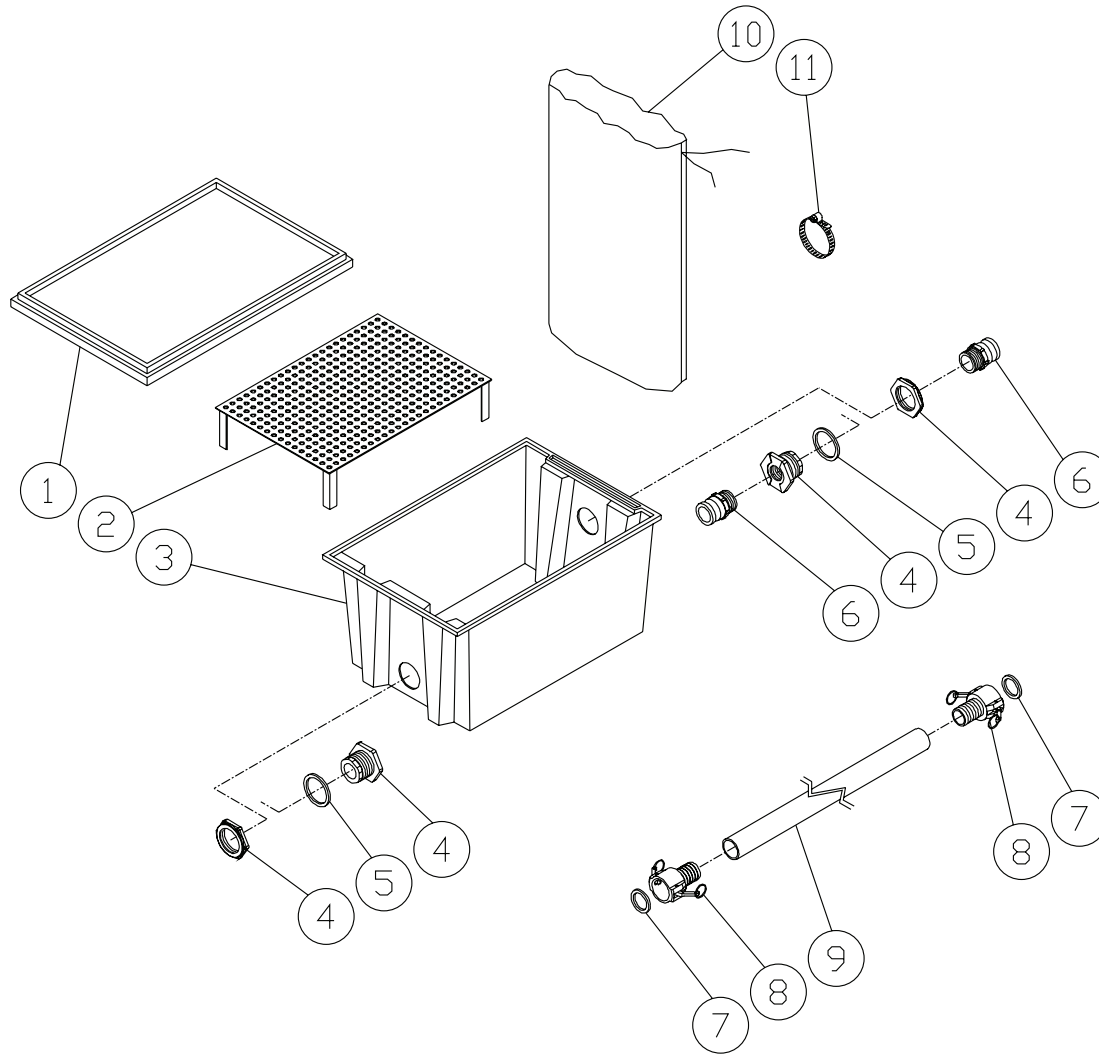
CONTROL PANEL- BASE (AFTER SERIAL #30000151)



CONTROL PNL BASE-022105-ASY

CONTROL PANEL - BASE (AFTER SERIAL #30000151)							
REF. #	DESCRIPTION	PART#	QTY.	REF. #	DESCRIPTION	PART#	QTY.
1	Decal- ORP (See 34-9010)	N/A Sep.	2	23	Strain Relief	32-0586	1
2	Decal- pH (See 34-9010)	N/A Sep.	2	24	Locknut	32-0587	1
3	Audio Buzzer Alarm	32-0560	1	25	Electrical Plate	20-0484A06	1
4	Relay	32-0549	3	26	Screw	27-8933	4
5	Lockwasher	28-1009	18	27	Primary Fuse	32-0467	2
6	Screw	27-8835	24	28	Secondary Fuse	32-0323	1
7	Relay Socket	32-0548	1	29	Transformer	32-0313	1
8	Relay	32-0547	1	30	Electrcial Box w/Holes	N/A	1
9	Din Rail *(One Foot Required)	32-0316	1	31	Strainer w/ Check Valve	19-0056	2
10	Washer	28-0010	4	32	Hose *(Fourty Feet Required)	15-0021	1
11	Terminal Strip	32-0463	2	33	Connector	55-0022	4
12	Conduit Track *(Three Feet Required)	32-0555	1	34	Pump	3-0182	2
13	Conduit Lid *(Three Feet Required)	32-0318	1	35	Decal- Terminal Strip 1-22 (See 34-9010)	N/A Sep.	1
14	Bolt	27-8898	1	36	Decal- Ground (See 34-9010)	N/A Sep.	1
15	Nut	30-3022	3	37	Decal- Terminal Strip 45-50 (See 34-9010)	N/A Sep.	1
16	Screw	27-8930	2	38	Decal- 230V (See 34-9010)	N/A Sep.	1
17	Terminal Block	32-0536	1	39	Decal- 24V (See 34-9010)	N/A Sep.	1
18	Timer	32-0544	1	40	Decal- Terminal Strip 23-44 (See 34-9010)	N/A Sep.	1
19	ORP Probe	32-0540	1	41	Switch	32-0687	2
20	pH Probe	32-0538	1		Wire Ties	33-0022	15
21	Strain Relief	32-0437	11		Safety Decal Kit (Inc. 1, 2, 35-40)	34-9010	
22	Locknut	32-0108	11	*Must Order in One Foot Lengths			

SLUDGE BOX ASSEMBLY (855-0017)

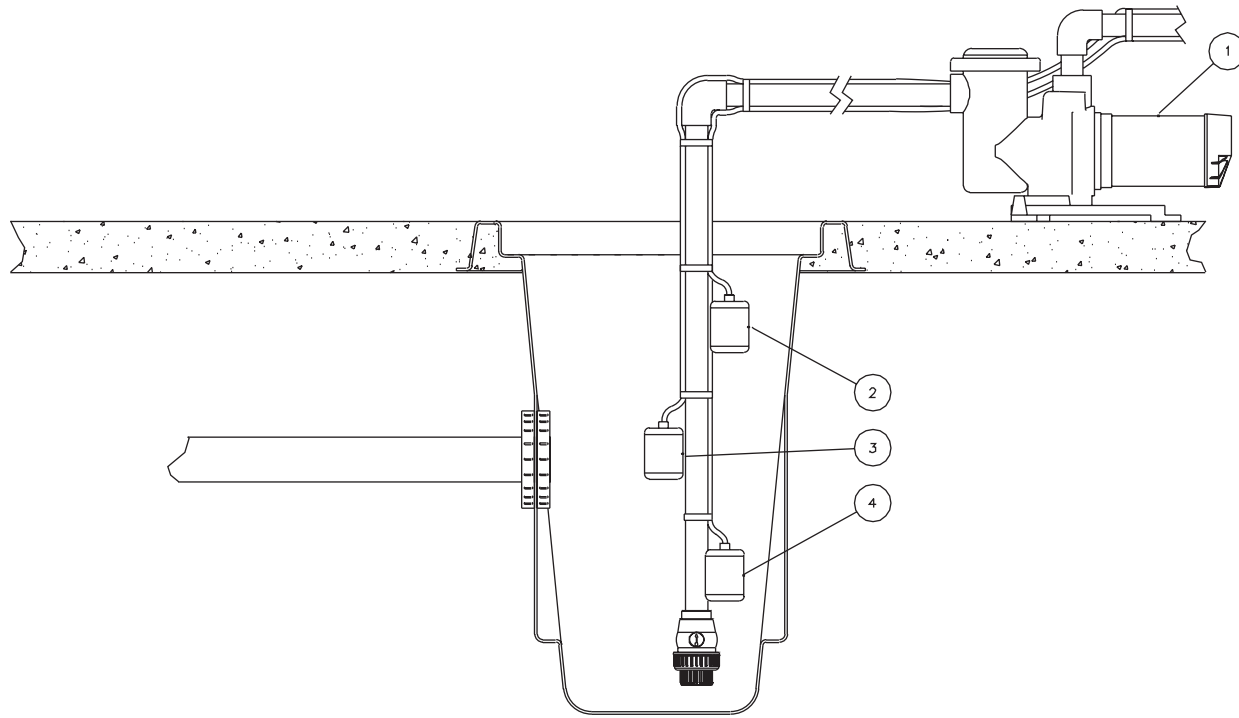


855-0017-040700-WKB

855-0017-040700-WKB

SLUDGE BOX ASSEMBLY (855-0017)			
REF. #	DESCRIPTION	PART #	QTY.
1	Lid	33-0341	1
2	Riser Plate	21-0126	1
3	Sludge Box	33-0344	1
4	Bulkhead (Includes Gasket 25-0481)	55-1886	2
5	Gasket	25-0481	2
6	Adapter	55-0054	2
7	Gasket	25-0476	2
8	Coupler (Includes Gasket 25-0476)	55-0055	2
9	Hose *(Ten Feet Required)	15-0213	1
10	Filter Bag	41-0190	5
11	Hose Clamp	42-0027	1
	Complete Sludge Box (Inc. 1-11)	855-0017	
*Must Order in One Foot Lengths			

SUMP PIT ASSEMBLY

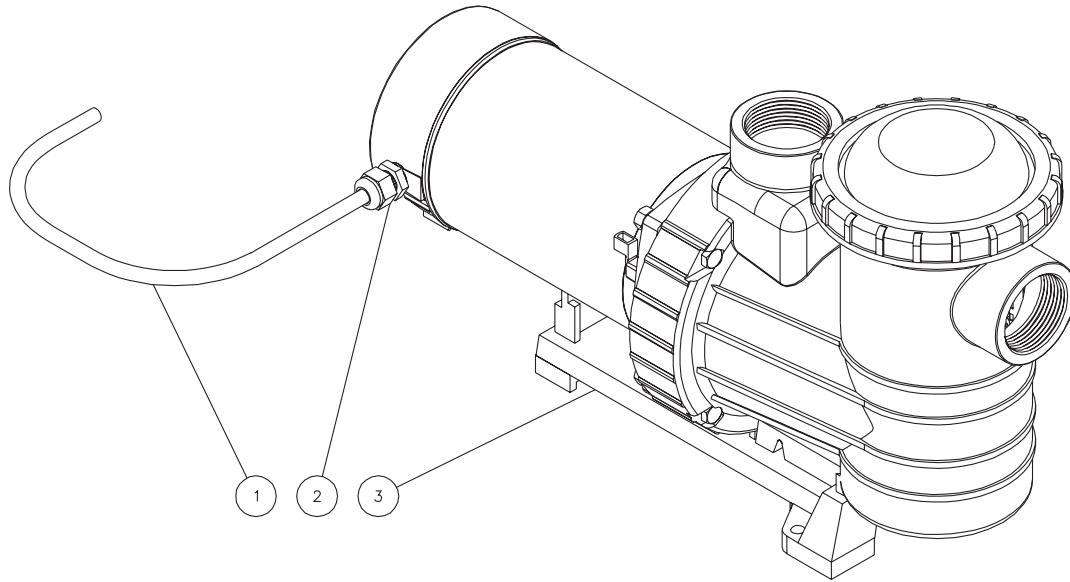


WCP-30: SUMP PIT ASSY-121901-KS

SUMP PIT ASSY:121901-KS

SUMP PIT ASSEMBLY			
REF. #	DESCRIPTION	PART #	QTY.
1	Sump Pump Assembly	855-0024	1
2	Float- Normally Open	32-0545	1
3	Float- Normally Closed	32-0530	1
4	Float- Normally Open	32-0528	1

SUMP PUMP ASSEMBLY (855-0024)

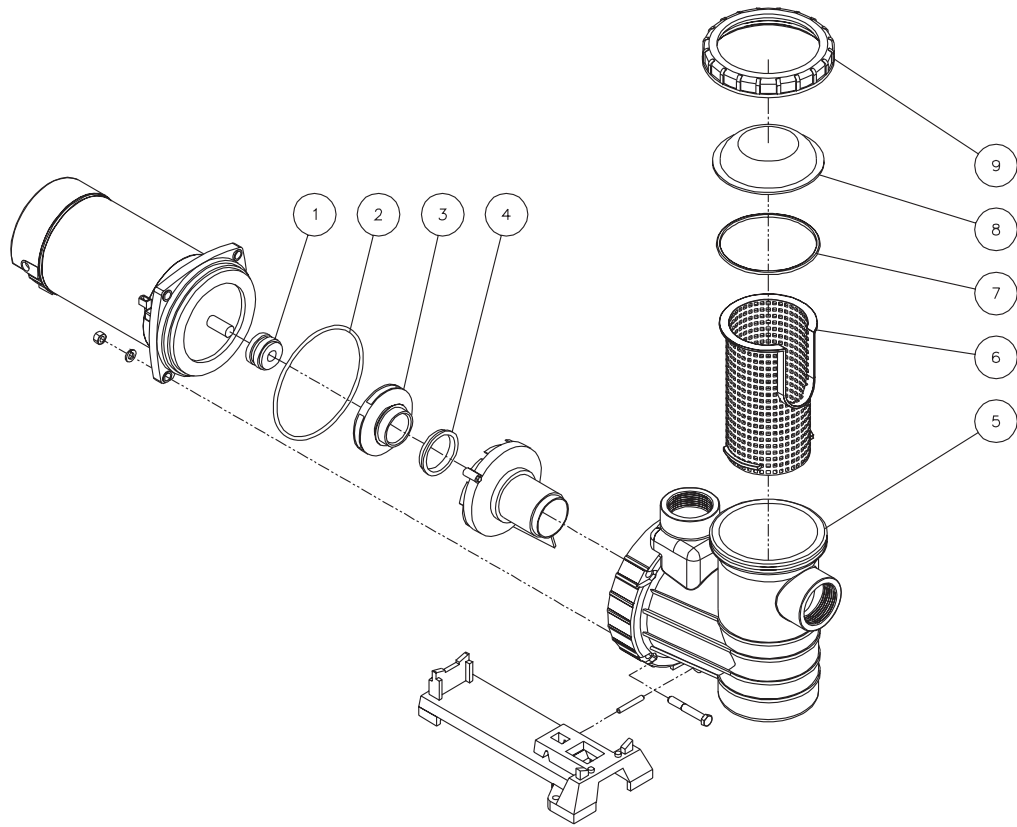


855-0024-092801-KS

SUMP PUMP ASSEMBLY (855-0024)			
REF. #	DESCRIPTION	PART#	QTY.
1	Cord *(Twenty Feet Required)	32-0074	1
2	Strain Relief	32-0437	1
3	Pump Strainer Basket	3-0214	1
	Terminal Fork	32-0003	2
	Terminal Ring	32-0099	1
	Complete Sump Pump Assembly	855-0024	
*Must Order in One Foot Lengths			

855-0024-092801-KS

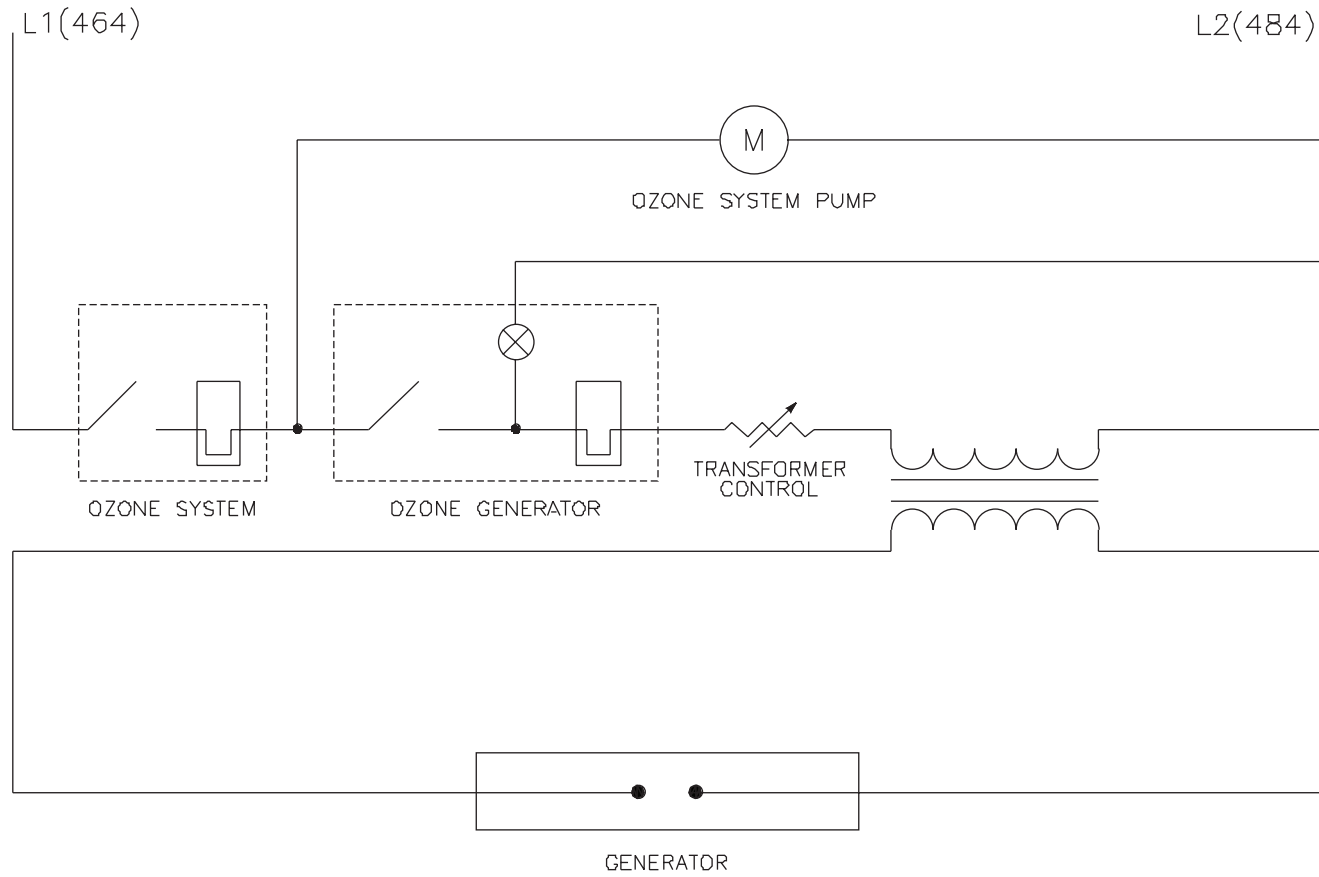
SUMP PUMP (3-0214)



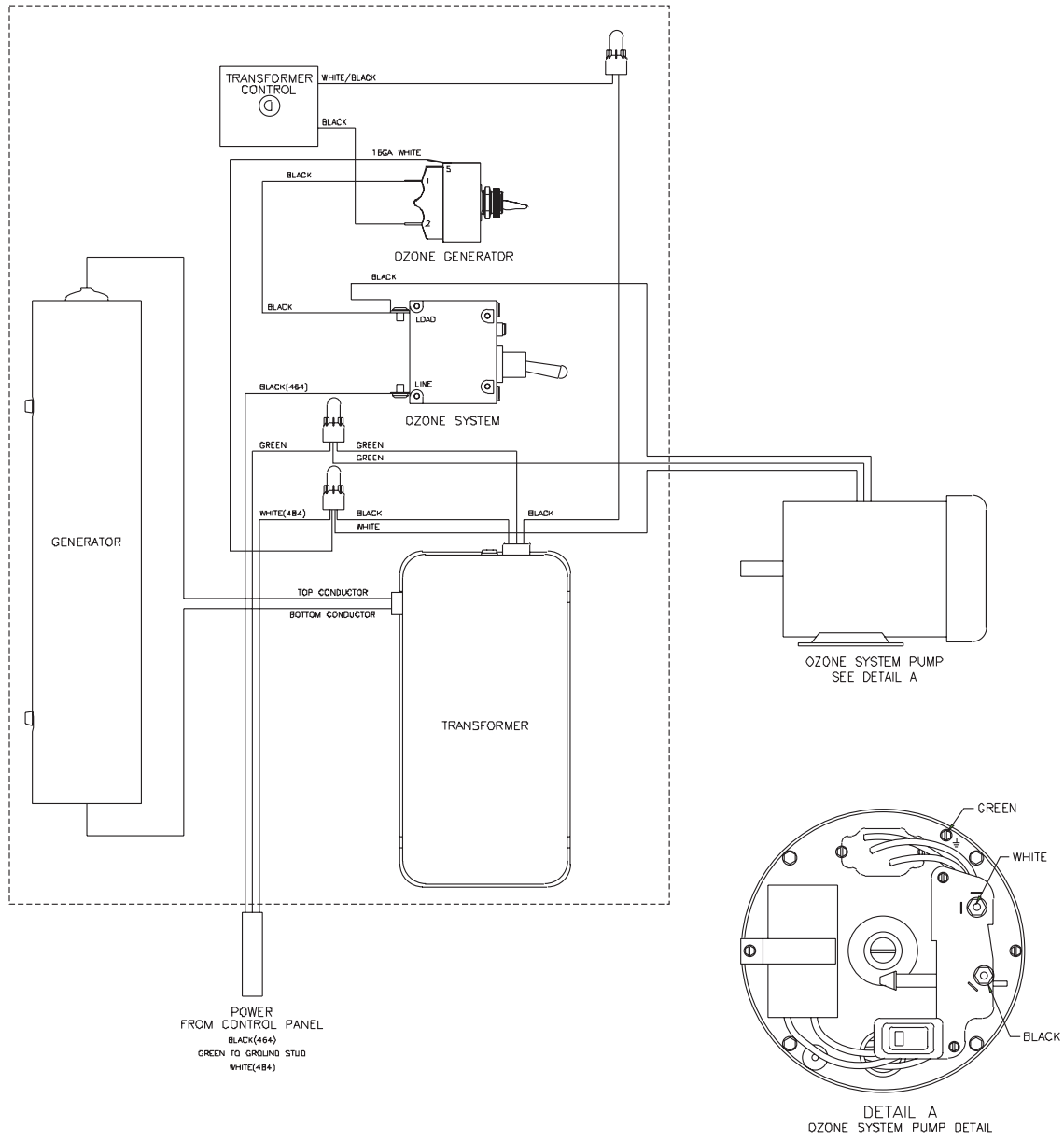
3-0214-062501-KS

SUMP PUMP (3-0214)			
REF. #	DESCRIPTION	PART #	QTY.
1	Mechanical Seal	26-0215	1
2	O-ring	25-0522	1
3	Impeller	46-1030	1
4	Eye Seal	26-0217	1
5	Case w/Plugs	46-1029	1
6	Strainer Basket	46-1028	1
7	O-ring	25-0521	1
8	Strainer Cover	46-1027	1
9	Strainer Ringlok	46-1026	1
	Complete Sump Pump	3-0214	

WCP OZONE SYSTEM SCHEMATIC

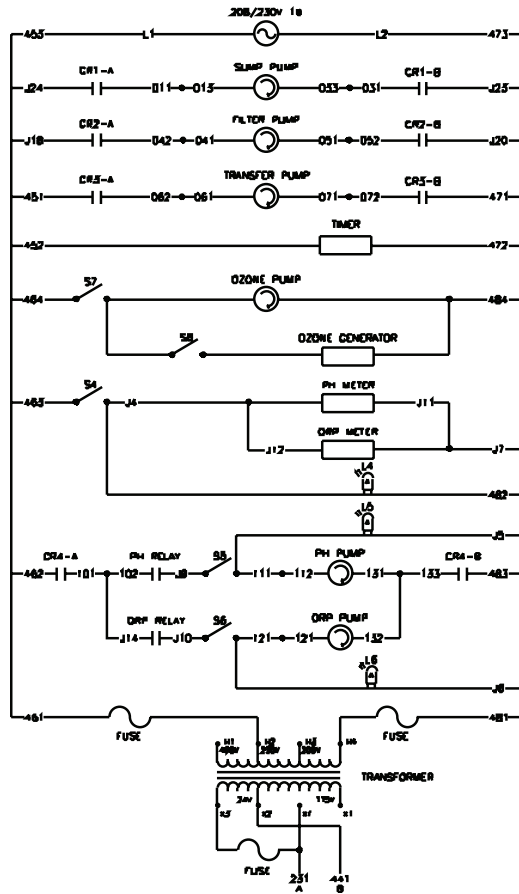


WCP OZONE SYSTEM DIAGRAM



ELECTRICAL SCHEMATIC

230V 1ø LADDER DIAGRAM

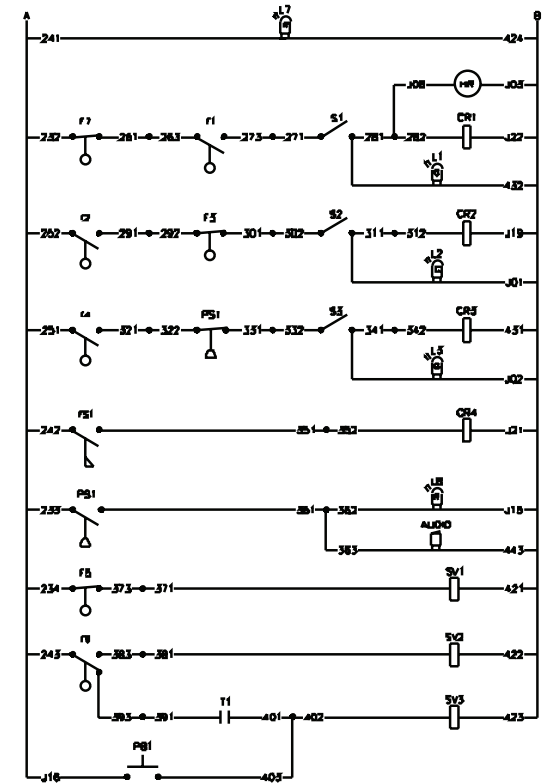


NOTE:
LADDER DIAGRAM SHOWN WITH POWER TO UNIT AND NO WATER IN PIT

LEGEND

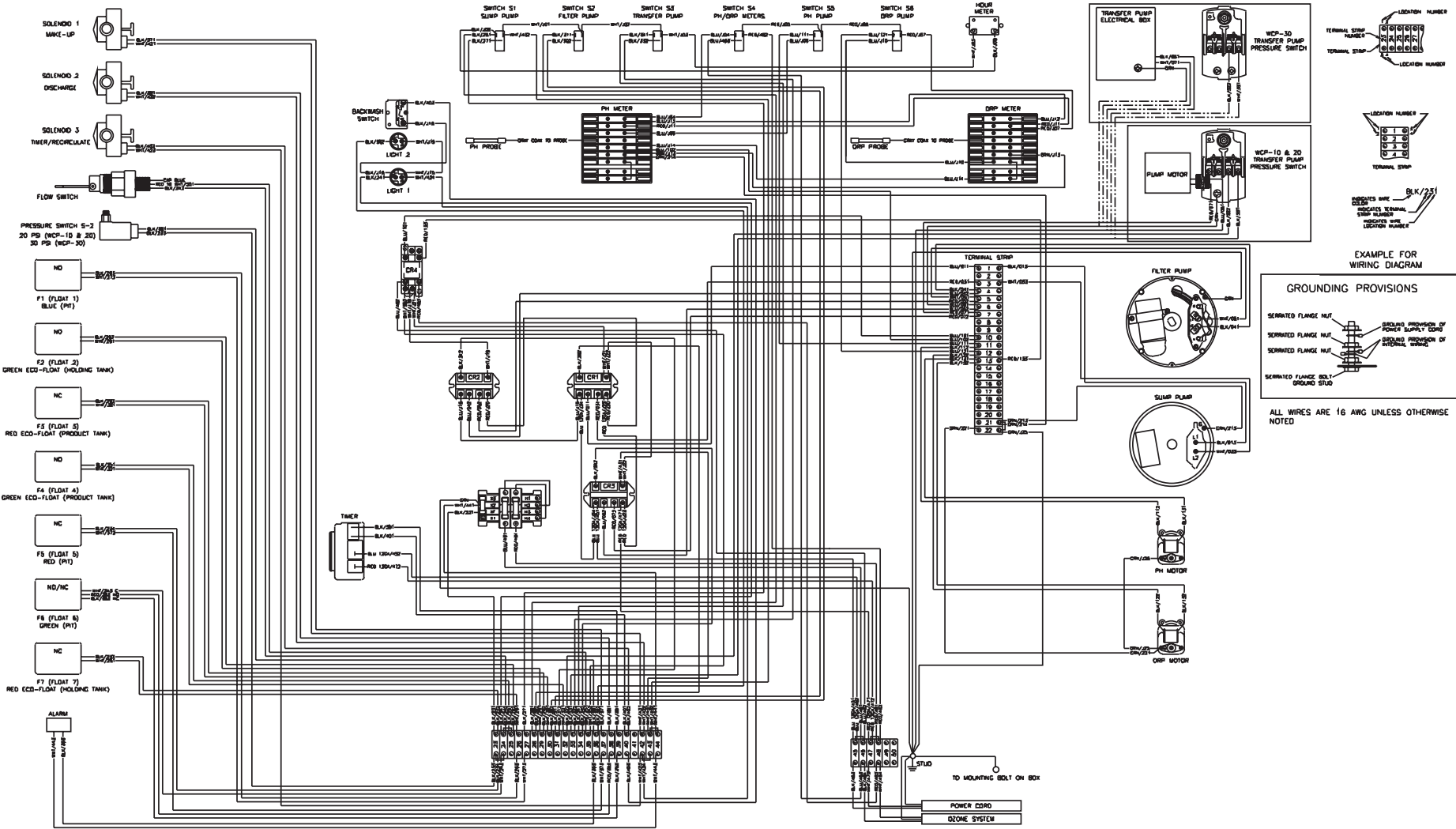
- CR1 = CONTROL RELAY, SUMP PUMP
- CR2 = CONTROL RELAY, FILTER PUMP
- CR3 = CONTROL RELAY, TRANSFER PUMP
- CR4 = CONTROL RELAY, PH/ORP PUMPS
- S1 = SWITCH, SUMP PUMP
- S2 = SWITCH, FILTER PUMP
- S3 = SWITCH, TRANSFER PUMP
- S4 = SWITCH, PH/ORP METERS
- S5 = SWITCH, PH PUMP
- S6 = SWITCH, ORP PUMP
- S7 = SWITCH, OZONE SYSTEM
- S8 = SWITCH, OZONE GENERATOR
- L1 = LIGHT, FOR S1
- L2 = LIGHT, FOR S2
- L3 = LIGHT, FOR S3
- L4 = LIGHT, FOR S4
- L5 = LIGHT, FOR S5
- L6 = LIGHT, FOR S6
- L7 = LIGHT, POWER ON
- L8 = LIGHT, INDICATOR BACKWASH
- PS1 S-1A = PRESSURE SWITCH 30-50 PSI, TRANSFER PUMP
- F1 = FLOAT, N.O. BLUE LOW LEVEL, SUMP PUMP, PIT
- F2 = FLOAT, N.O. BLUE HOLDING TANK, FILTER PUMP
- F3 = FLOAT, N.C. RED PRODUCT TANK, FILTER PUMP
- F4 = FLOAT, N.O. BLUE PRODUCT TANK, TRANSFER PUMP
- F5 = FLOAT, N.C. FRESHWATER MAKE-UP, PIT
- F6 = FLOAT, N.O./N.C. RAINWATER OVERFLOW/RECIRCULATION, PIT
- F7 = FLOAT, N.C. RED HOLDING TANK OVERFLOW
- FS1 = N.O. FLOW SWITCH, CHEMICAL PUMPS
- PS2 = PRESSURE SWITCH 20/30 PSI, BACKWASH
- SV1 = SOLENOID VALVE, FRESHWATER MAKE-UP
- SV2 = SOLENOID VALVE, RAINWATER OVERFLOW, DISCHARGE
- SV3 = SOLENOID VALVE, TIMER/RECIRCULATION
- T1 = TIMER (RECIRCULATION) TIMED CLOSED
- PB1 = PUSH BUTTON SWITCH, BACKWASH
- H = HOUR METER (SUMP)

24V 1ø LADDER DIAGRAM



LADDER DIAGRAM WCP-10-20-30-0M10-100303-ASY

ELECTRICAL DIAGRAM



WIRE DIAGRAM WCP-10-20-30-0M10-060302-KS

