



PARTS LIST FOR  
***WLP-20-0M10***  
WATER RECYCLING TREATMENT SYSTEM

Congratulations on the purchase of your new Mi-T-M water treatment system! This parts listing has been compiled for your benefit. You can be assured your Mi-T-M water treatment system was constructed and designed with quality and performance in mind. Each component has been rigorously tested to insure the highest level of acceptance.

The contents of this parts listing are based on the latest product information available at the time of publication. Mi-T-M reserves the right to make changes in price, color, materials, equipment, specifications or models at any time without notice.

### **WARNING**

THIS IS A PROFESSIONAL WATER TREATMENT SYSTEM. CAUTION SHOULD BE OBSERVED WHEN USING OR REPAIRING THIS UNIT! READ AND FOLLOW THE SAFETY WARNINGS LISTED BELOW BEFORE ATTEMPTING ANY REPAIRS ON THIS WATER TREATMENT SYSTEM!

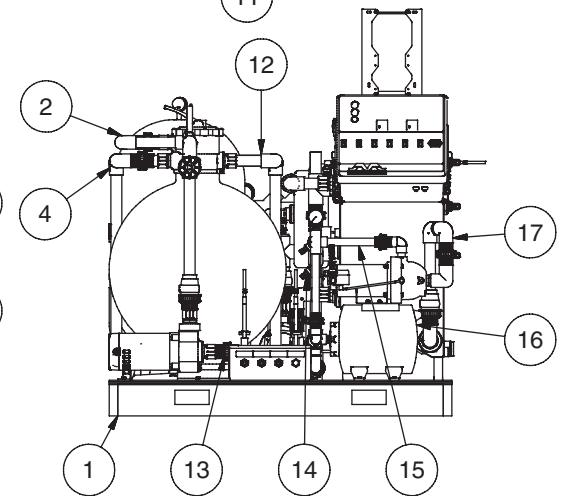
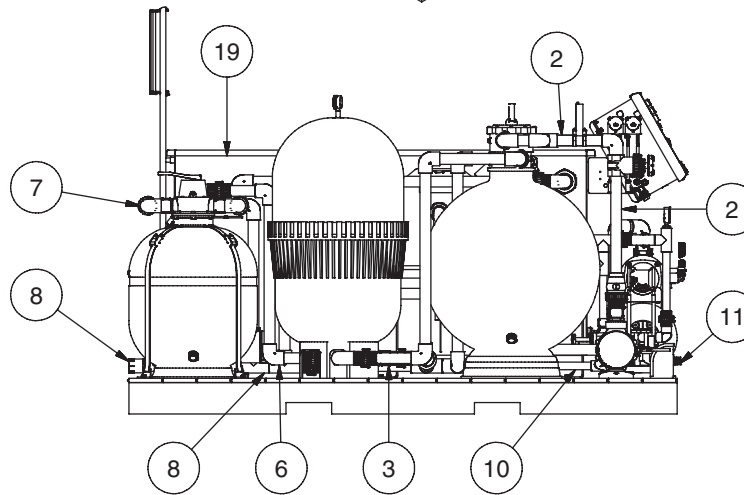
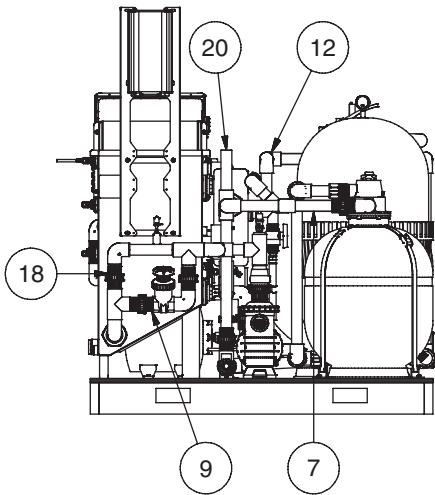
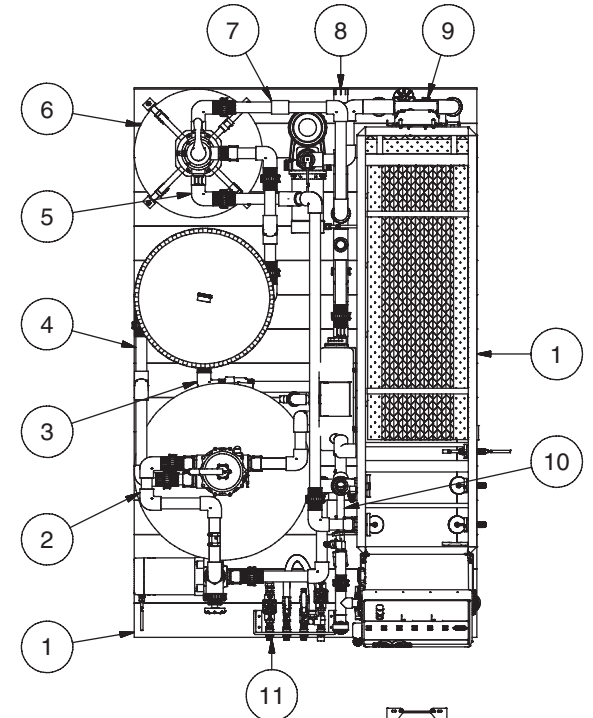
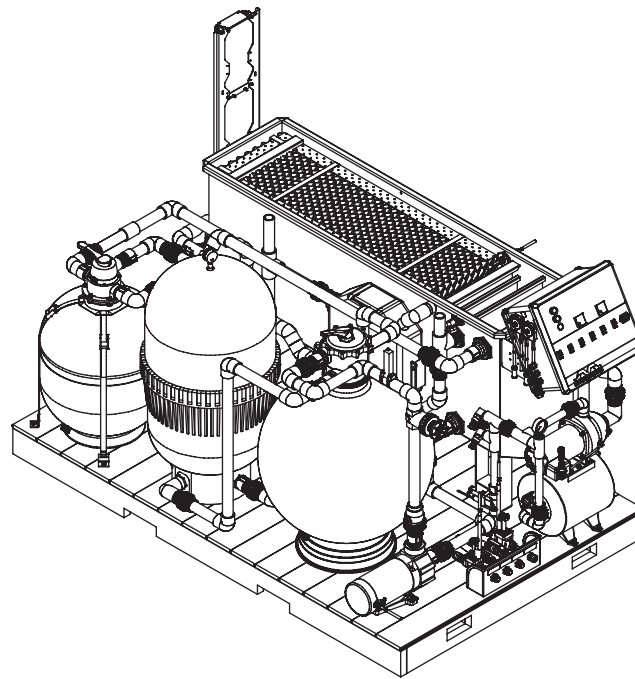
### **SAFETY WARNINGS**

1. Serious injury or death could occur if the water treatment system is not properly grounded. Your water treatment system is powered by electricity and may cause electric shock or electrocution if not installed properly. Installation to this unit, including all electrical connections, must comply with all local, state and national codes. Any electrical wiring or repairs performed on this water treatment system should be done by Authorized Service Personnel in accordance with National and Local electrical codes.
2. NEVER alter or modify the equipment. Use only genuine Mi-T-M parts for repair of your water treatment system. Failure to do so can cause hazardous operating conditions and will VOID warranty.
3. Know how to stop and bleed pressures quickly. Be thoroughly familiar with controls. Do not operate without protective cover/guards. Follow the maintenance instructions specified in your operator's manual.
4. Before servicing, ALWAYS shut off the water and the unit. Allow the unit to cool down. NEVER assume the water treatment system is safe to work on just because it is not operating. It could restart at any time! ALWAYS disconnect from the power source. Service in a clean, dry flat area.
5. Be especially careful it properly dispose of any flammable materials. Consult Materials Safety Data Sheets for safe handling of chemicals used with your system, especially oxidizers and acids.

## Table of Contents

MAIN ASSEMBLY .....	4
TANK INLET ASSEMBLY .....	6
SUMP PUMP (3-0214) .....	8
MAZZEI INJECTOR FLOW CONTROL ASSEMBLY .....	9
FILTER PUMP INLET ASSEMBLY .....	12
FILTER PUMP (3-0179) .....	13
MULTIMEDIA FILTER INLET ASSEMBLY .....	14
PLUMBING: MULTIMEDIA FILTER DRAIN .....	16
PLUMBING: MULTIMEDIA FILTER TO CARTRIDGE FILTER .....	17
CARTRIDGE FILTER (19-0601) .....	18
PLUMBING: CARTRIDGE FILTER DRAIN LINE .....	19
PLUMBING: CARTRIDGE FILTER TO POLISHING FILTER .....	20
FILTER (19-0502) .....	21
PLUMBING: POLISHING FILTER DRAIN .....	22
PLUMBING: POLISHING FILTER TO PRODUCT TANK .....	23
PLUMBING: TRANSFER PUMP INLET .....	24
TRANSFER PUMP AND TANK ASSEMBLY .....	25
TRANSFER PUMP (3-0181) .....	26
PLUMBING: TRANSFER PUMP TO TANK .....	28
PLUMBING: RAIN WATER OVERFLOW .....	29
PLUMBING: OIL DECANter INLET .....	30
OIL DECANter ASSEMBLY .....	31
PLUMBING: PH & ORP SENSOR .....	32
PH / ORP PUMP (3-0182) .....	34
OZONE GENERATOR .....	36
PLUMBING: MAIN DRAIN LINE .....	38
LOW PROFILE MANIFOLD ASSEMBLY .....	40
CONTROL PANEL ASSEMBLY .....	42
CONTROL PANEL PLATE ASSEMBLY .....	44
ELECTRICAL SCHEMATIC - 230 VOLT .....	46
ELECTRICAL SCHEMATIC - 24 VOLT .....	47
ELECTRICAL DIAGRAM - LID .....	48
ELECTRICAL DIAGRAM - PLATE .....	49
ELECTRICAL DIAGRAM - BASE .....	50
NOTES .....	51

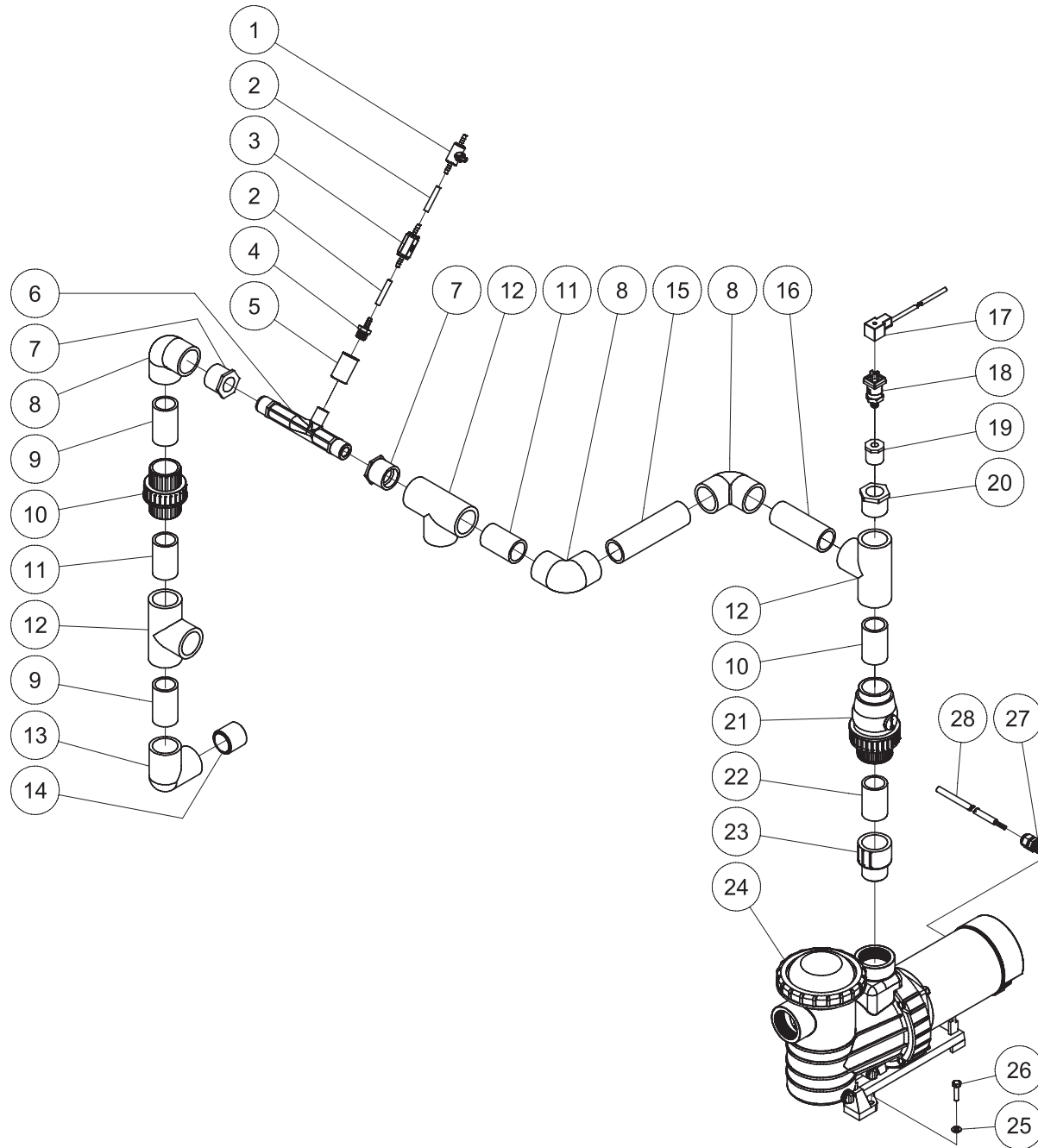
# MAIN ASSEMBLY



WLP-20-0M10-062705-ASY

MAIN ASSEMBLY							
REF. #	DESCRIPTION	PART#	QTY.	REF. #	DESCRIPTION	PART#	QTY.
1	Pallet	35-0034	1	11	Low Profile Mainfold Assembly (See Exploded Drawing)	N/A Sep.	1
2	Multimedia Filter Inlet (See Exploded Drawing)	N/A Sep.	1	12	Plumbing: Multimedia Filter Drain (See Exploded Drawing)	N/A Sep.	1
3	Plumbing: Cartridge Filter Drain Line (See Exploded Drawing)	N/A Sep.	1	13	Filter Pump Inlet Assembly (See Exploded Drawing)	N/A Sep.	1
4	Plumbing: Multimedia Filter to Cartridge Filter (See Exploded Drawing)	N/A Sep.	1	14	Pressure Outlet Assembly (See Exploded Drawing)	N/A Sep.	1
5	Plumbing: Polishing Filter to Product Tank (See Exploded Drawing)	N/A Sep.	1	15	Plumbing: Transfer Pump to Pressure Tank (See Exploded Drawing)	N/A Sep.	1
6	Plumbing: Cartridge Filter to Polishing Filter (See Exploded Drawing)	N/A Sep.	1	16	Transfer Pump and Pressure Tank Assembly (See Exploded Drawing)	N/A Sep.	1
7	Plumbing: Polishing filter Drain (See Exploded Drawing)	N/A Sep.	1	17	Plumbing: Transfer Pump Inlet (See Exploded Drawing)	N/A Sep.	1
8	Plumbing: Main Drain Line (See Exploded Drawing)	N/A Sep.	1	18	Tank Inlet Assembly (See Exploded Drawing)	N/A Sep.	1
9	Mazzei Injector Flow Control (See Exploded Drawing)	N/A Sep.	1	19	Tank Assembly (See Exploded Drawing)	N/A Sep.	1
10	Plumbing: Rain Water Overflow (See Exploded Drawing)	N/A Sep.	1	20	Plumbing: Ph & ORP Sensor (See Exploded Drawing)	N/A Sep.	1

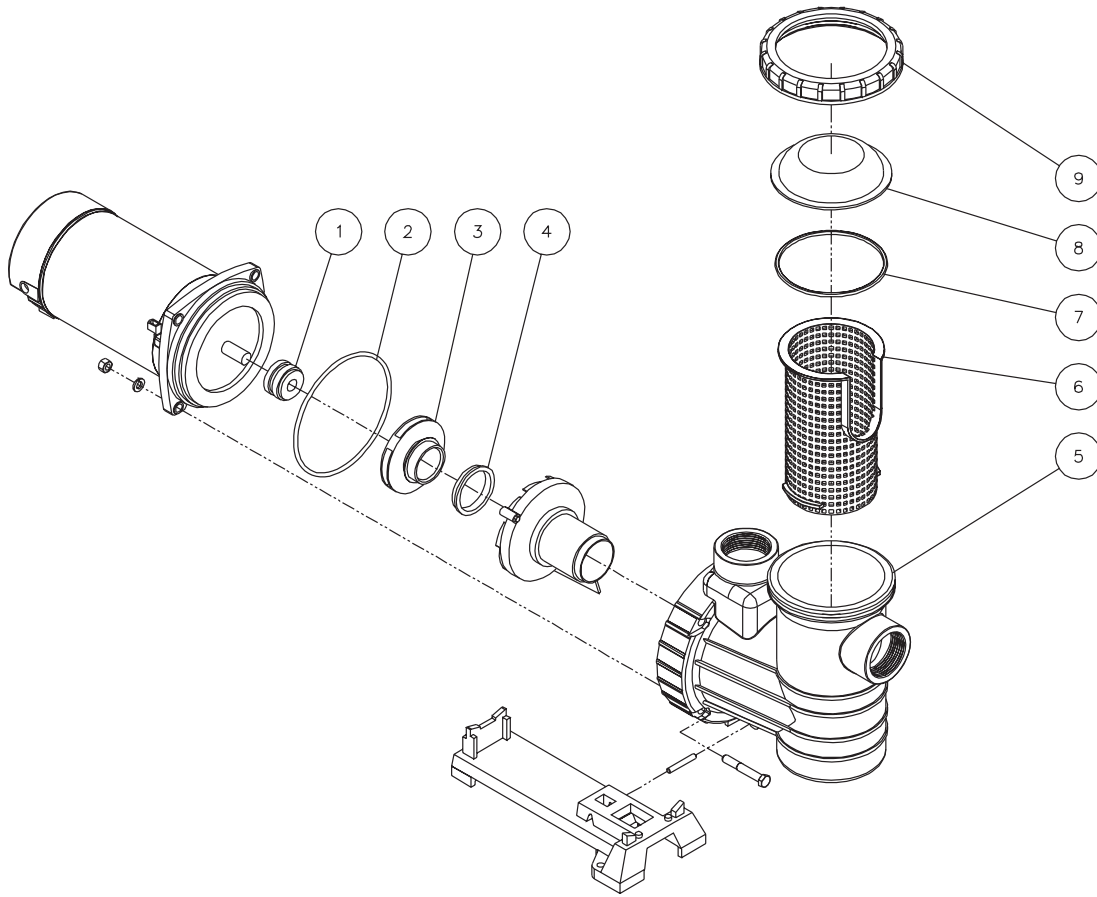
# TANK INLET ASSEMBLY



TANK INLET ASY-041907-PJH

TANK INLET ASSEMBLY							
REF. #	DESCRIPTION	PART#	QTY.	REF. #	DESCRIPTION	PART#	QTY.
1	2-way Valve	22-0074	1	15	Pipe *(1-1/2" x 7")	55-1600	1
2	Hose *(Four Feet Required)	15-0226	1	16	Pipe *(1-1/2" x 5")	55-1600	1
3	Check Valve	22-0286	1	17	Cordset Din	32-0786	1
4	Adapter	55-0023	1	18	Pressure Switch	32-0381	1
5	Coupler	55-0815	1	19	Reducer Bushing	55-1231	1
6	Mazzei Injector	55-0015	1	20	Reducer Bushing	55-1624	1
7	Reducer Bushing	55-1629	2	21	Ball Check Valve	55-1652	1
8	Elbow	55-1609	3	22	Pipe *(1-1/2" x 2-4/5")	55-1600	1
9	Pipe *(1-1/2" x 3-1/10")	55-1600	2	23	Male Adapter	55-1622	1
10	Union (Inc. 25-0448)	55-1645	1	24	Pump	3-0214	1
-	O-ring	25-0448	1	25	Washer	28-0122	3
11	Pipe *(1-1/2" x 3")	55-1600	3	26	Lag Bolt	27-5276	3
12	Tee	55-1601	3	27	Strain Relief	32-0437	1
13	Elbow	55-1610	1	28	Cord *(Fifteen Feet Required)	32-0074	1
14	Nipple	55-1674	1	*(Must Order in One Foot Lengths)			

## SUMP PUMP (3-0214)



3-0214-062501-KS

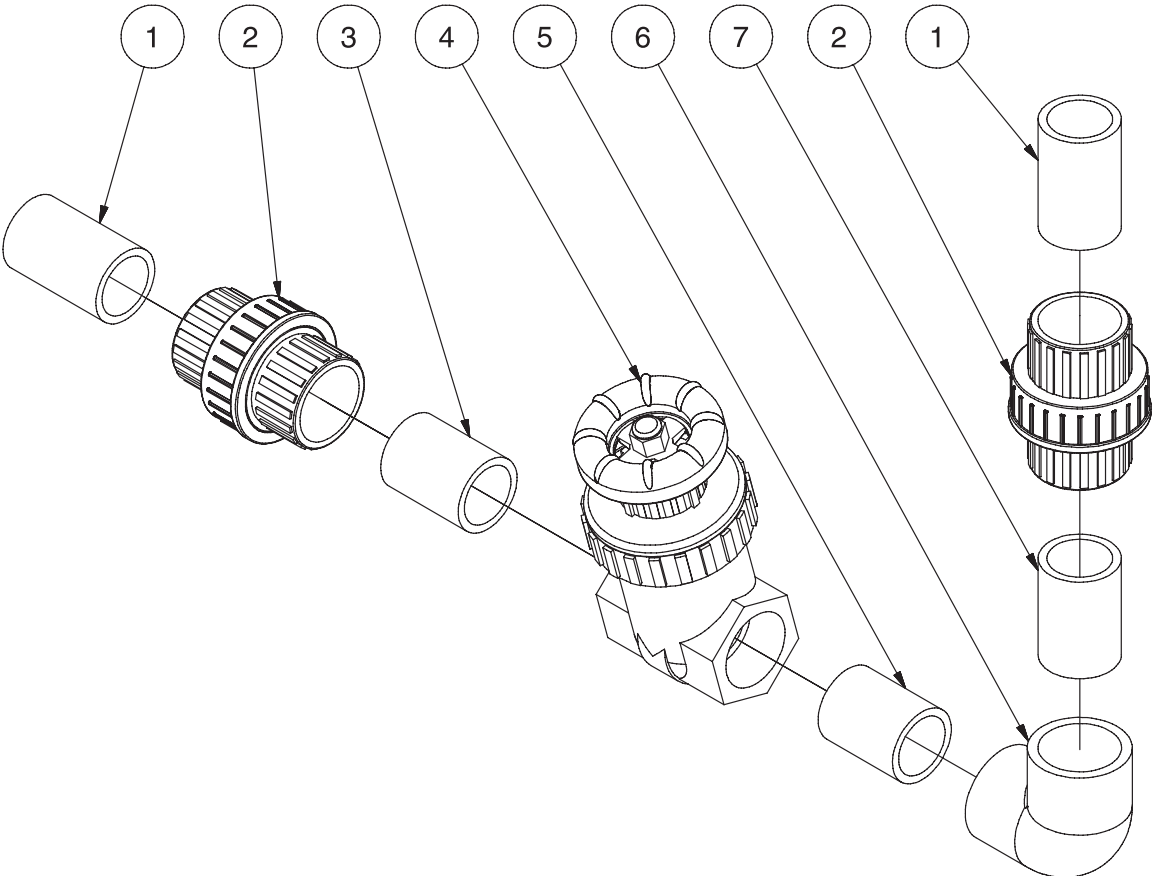
### SUMP PUMP (3-0214)

REF. #	DESCRIPTION	PART #	QTY.
1	Mechanical Seal	26-0215	1
2	O-ring	25-0522	1
3	Impeller	46-1030	1
4	Eye Seal	26-0217	1
5	Case w/Plugs	46-1029	1
6	Strainer Basket	46-1028	1
7	O-ring	25-0521	1
8	Strainer Cover	46-1027	1
9	Strainer Ringlok	46-1026	1
	Complete Sump Pump	3-0214	

3-0214-062501-KS



# MAZZEI INJECTOR FLOW CONTROL ASSEMBLY

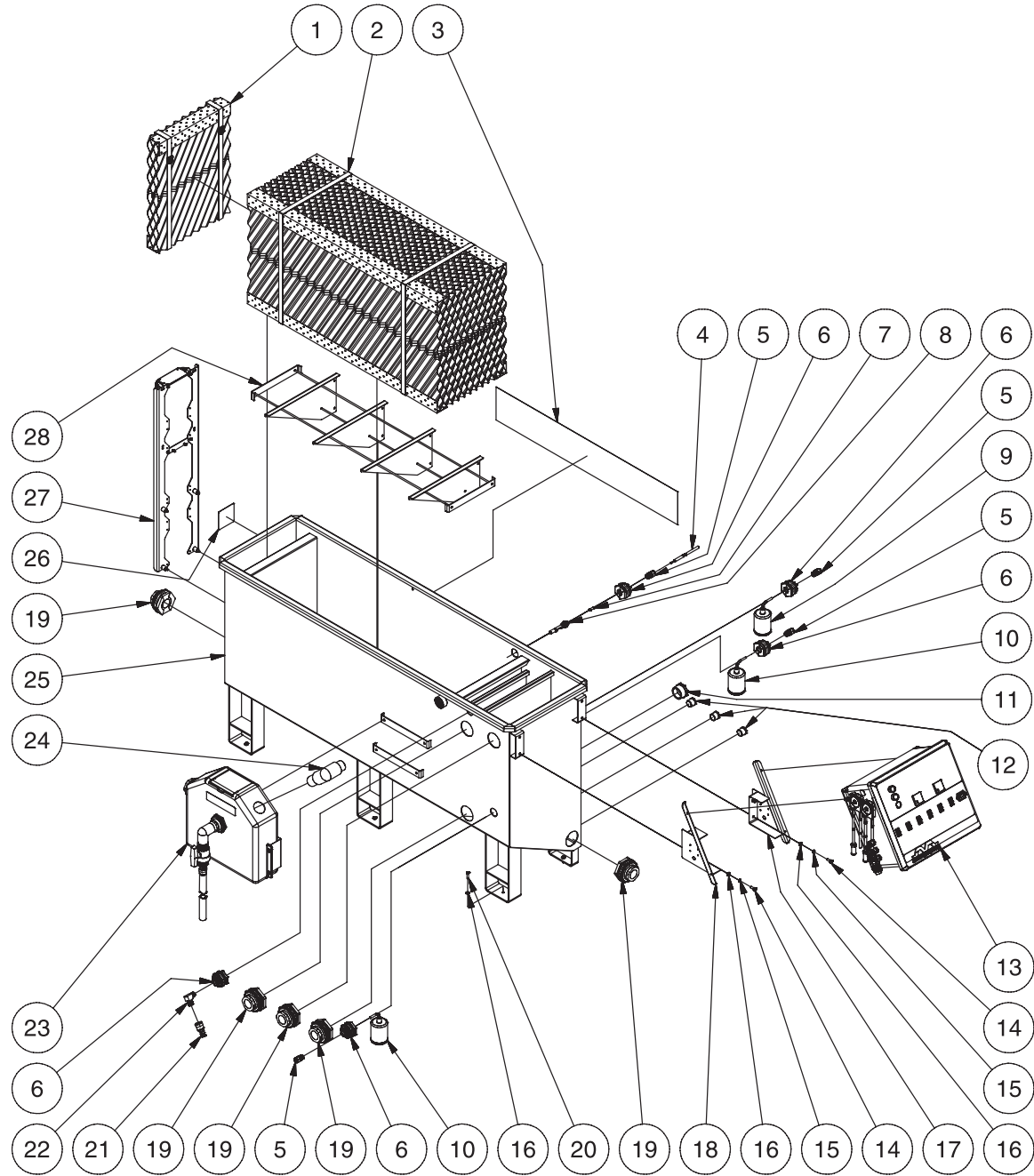


MAZZEI INJECTOR FLOW CONTROL-031605-ASY

MAZZEI INJECTOR FLOW CONTROL ASSEMBLY			
REF. #	DESCRIPTION	PART#	QTY.
1	Pipe *(1-1/2" x 3")	55-1600	2
2	Union (Inc. 25-0448)	55-1645	2
-	O-ring	25-0448	2
3	Pipe *(1-1/2" x 2-1/2")	55-1600	1
4	Gate Valve	55-1671	1
5	Pipe *(1-1/2" x 2-2/5")	55-1600	1
6	Elbow	55-1609	1
7	Pipe *(1-1/2" x 2-7/10")	55-1600	1
*Must Order in One Foot Lengths			

MAZZEI INJECTOR FLOW CONTROL-031605-ASY

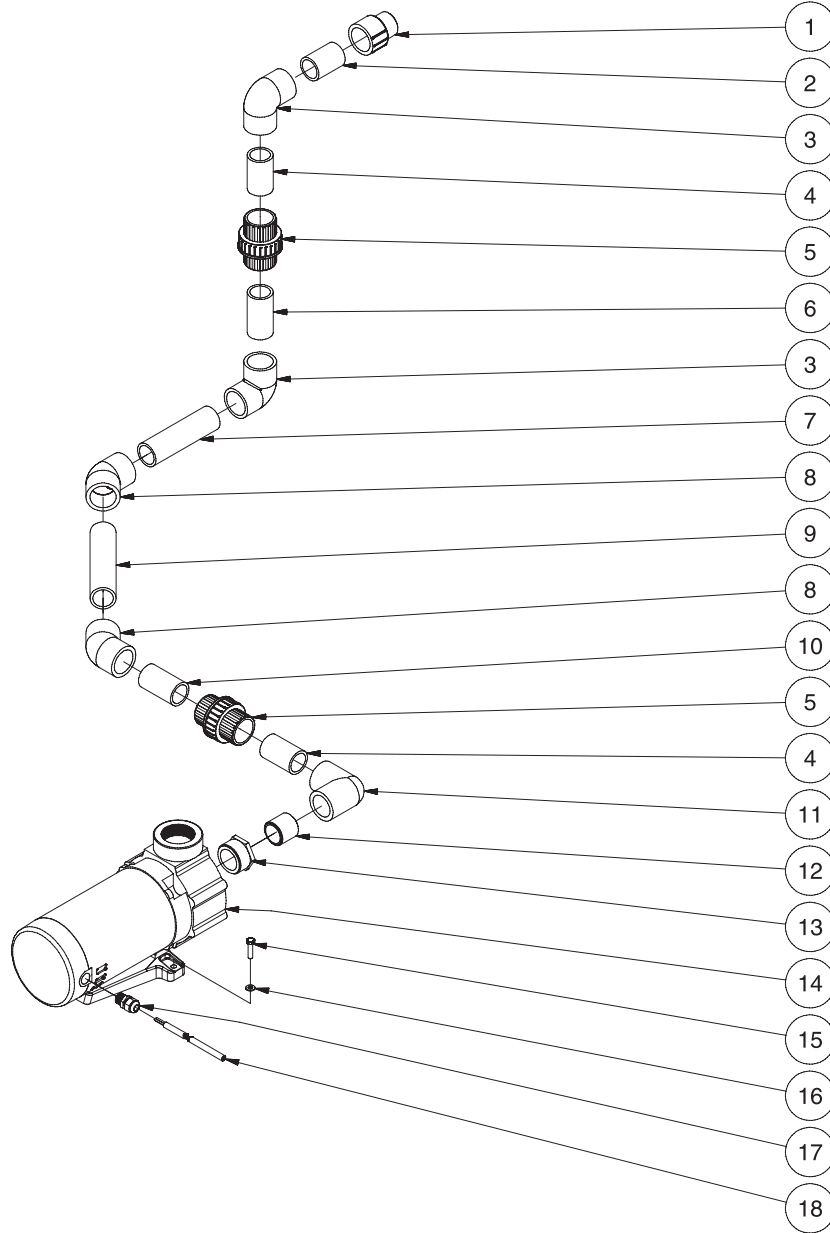
# TANK ASSEMBLY



TANK ASSY-031105-ASY

TANK ASSEMBLY							
REF. #	DESCRIPTION	PART#	QTY.	REF. #	DESCRIPTION	PART#	QTY.
1	Verticle Coalescing Assembly	855-0002	1	15	Lockwasher	29-1007	4
2	Coalescing Pack Assembly	855-0001	1	16	Washer	28-0122	10
3	Decal- Stripe	34-0347	1	17	Right Electrical Bracket	21-0110	1
4	Cord *(Six Feet Required)	32-0075	1	18	Left Electrical Bracket	21-0111	1
5	Strain Relief	32-0437	4	19	Bulkhead Fitting (Inc. 25-0481)	55-1686	5
6	Bulkhead Fitting (Inc. 25-0506)	55-0886	5	-	O-ring	25-0481	5
-	O-ring	25-0506	5	20	Lag Bolt	27-5277	6
7	Connector	32-0122	2	21	Hose Barb	23-0358	1
8	Liquid Level Switch	32-0533	1	22	Elbow	23-0363	1
9	Float N.C.	32-0529	1	23	Oil Decanter Assembly (See Exploded Drawing)	N/A Sep.	1
10	Float N.O.	32-0527	2	24	Oil Decanter Inlet (See Exploded Drawing)	N/A Sep.	1
11	Plug	55-1840	1	25	Coalescing Tank	12-9070	1
12	Plug	55-1240	4	26	Decal- Caution: Nonpotable Water	34-0868	1
13	Control Panel Assembly (See Exploded Drawing)	N/A Sep.	1	27	Ozone Generator Mounting Detail (See Exploded Drawing)	N/A Sep.	1
14	Screw	27-5066	4	28	Baffle Assembly	21-0106	1

## FILTER PUMP INLET ASSEMBLY



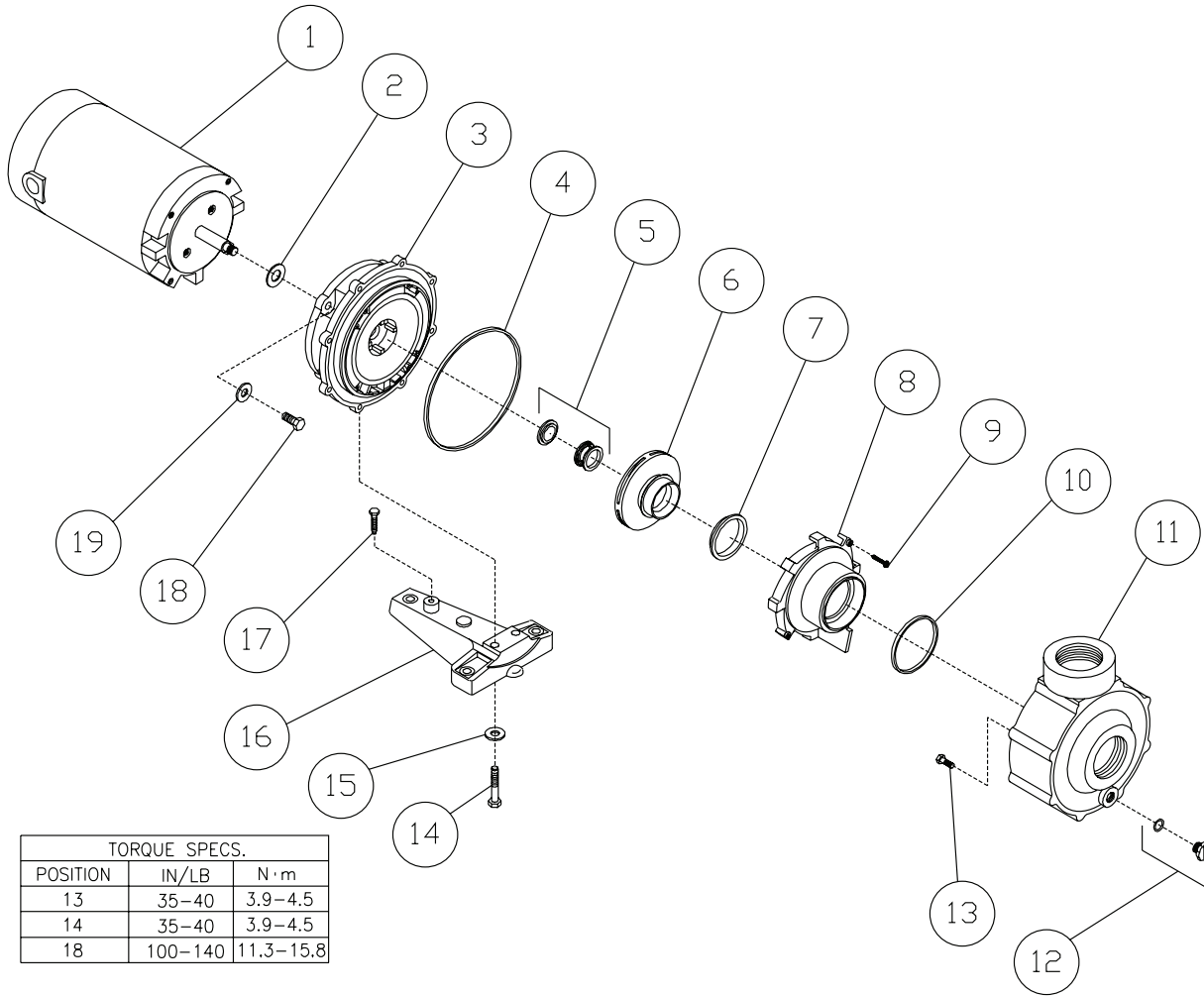
FILTER PUMP INLET-062705-ASY

FILTER PUMP INLET ASSEMBLY			
REF. #	DESCRIPTION	PART#	QTY.
1	Male Adapter	55-1622	1
2	Pipe *(1-1/2" x 2-7/10")	55-1600	1
3	Elbow	55-1609	2
4	Pipe *(1-1/2" x 3")	55-1600	2
5	Union (Inc. 25-0448)	55-1645	2
-	O-ring	25-0448	2
6	Pipe *(1-1/2" x 3-3/5")	55-1600	1
7	Pipe *(1-1/2" x 6-3/5")	55-1600	1
8	Elbow- 45°	55-1612	2
9	Pipe *(1-1/2" x 8-3/10")	55-1600	1
10	Pipe *(1-1/2" x 3-3/10")	55-1600	1
11	Elbow- 90°	55-1610	1
12	Nipple	55-1674	1
13	Reducer Bushing	55-1833	1
14	Filter Pump	3-0179	1
15	Lag Bolt	27-5276	2
16	Washer	28-0122	2
17	Strain Relief	32-0437	1
18	Cord *(Ten Feet Required)	32-0074	1
*Must Order in One Foot Lengths			

FILTER PUMP INLET ASSY-062705-ASY

# FILTER PUMP (3-0179)

3-0179-073106-DS

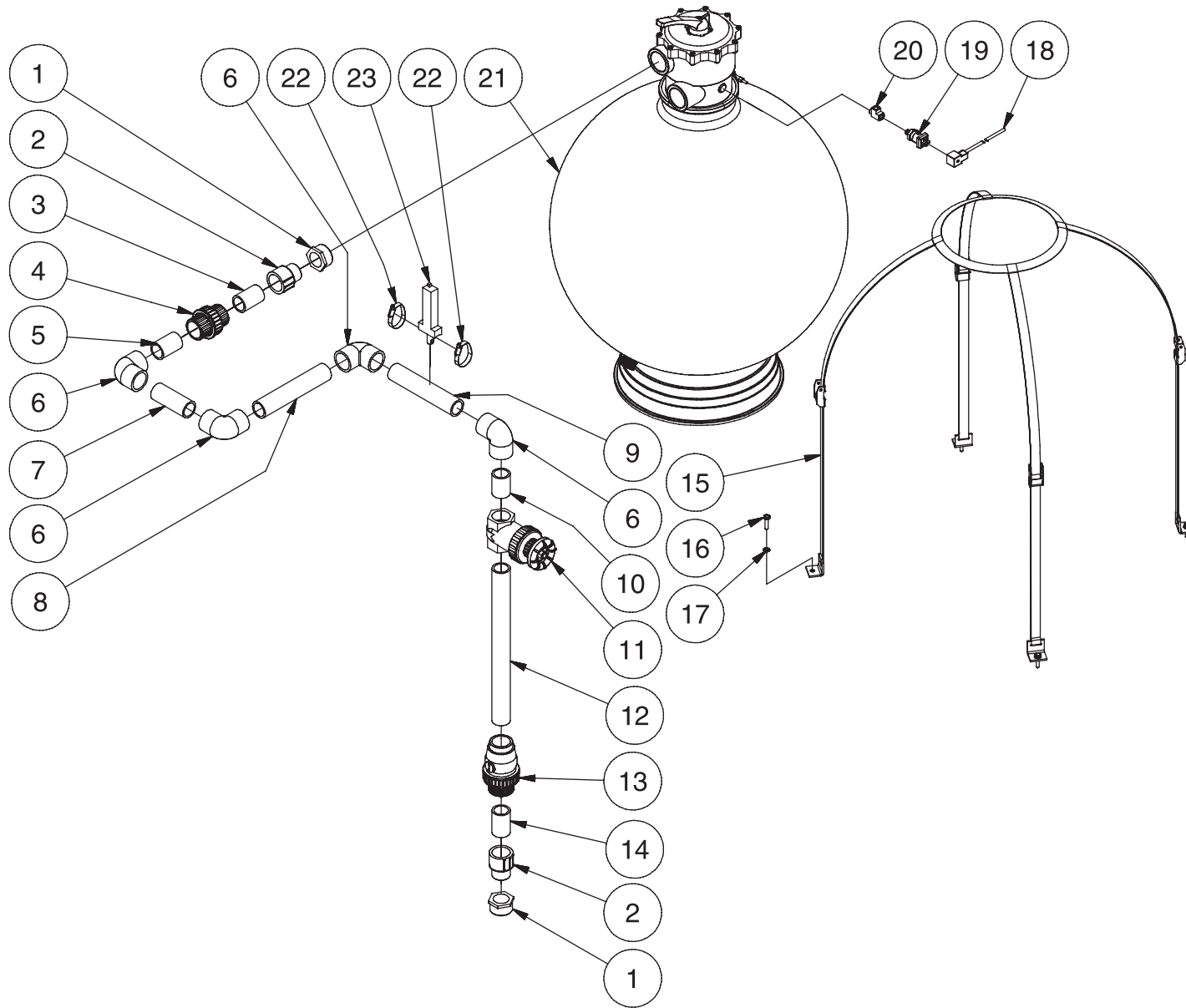


TORQUE SPECS.		
POSITION	IN/LB	N · m
13	35-40	3.9-4.5
14	35-40	3.9-4.5
18	100-140	11.3-15.8

FILTER PUMP (3-0179)			
REF. #	DESCRIPTION	PART#	QTY.
1	Motor- 1/2 HP	N/A	1
2	Rubber Washer	N/A	1
3	Bracket	46-0838	1
4	Square Ring (See 70-0255)	N/A Sep.	1
5	Mechanical Seal	26-0216	1
6	Impeller (See 70-0255)	N/A Sep.	1
7	Eye Seal	26-0217	1
8	Diffuser (See 70-0253)	N/A Sep.	1
9	Bolt	27-8938	2
10	Square Ring (See 70-0253)	N/A Sep.	1
11	Case Flange Assembly	46-0840	1
12	Plug Assembly	39-0110	1
13	Bolt	27-5016	8
14	Bolt (See 70-0252)	N/A Sep.	2
15	Washer (See 70-0252)	N/A Sep.	2
16	Base Assembly	5-0145	1
17	Bolt (See 70-0252)	N/A Sep.	1
18	Bolt	27-8939	4
19	Washer	28-0123	4
	Fastner Kit (Includes 14,15,17)	70-0252	
	Diffuser Kit (Includes 8-10)	70-0253	
	Impeller Kit (Includes 4-9, 11)	70-0255	

3-0179-073106-DS

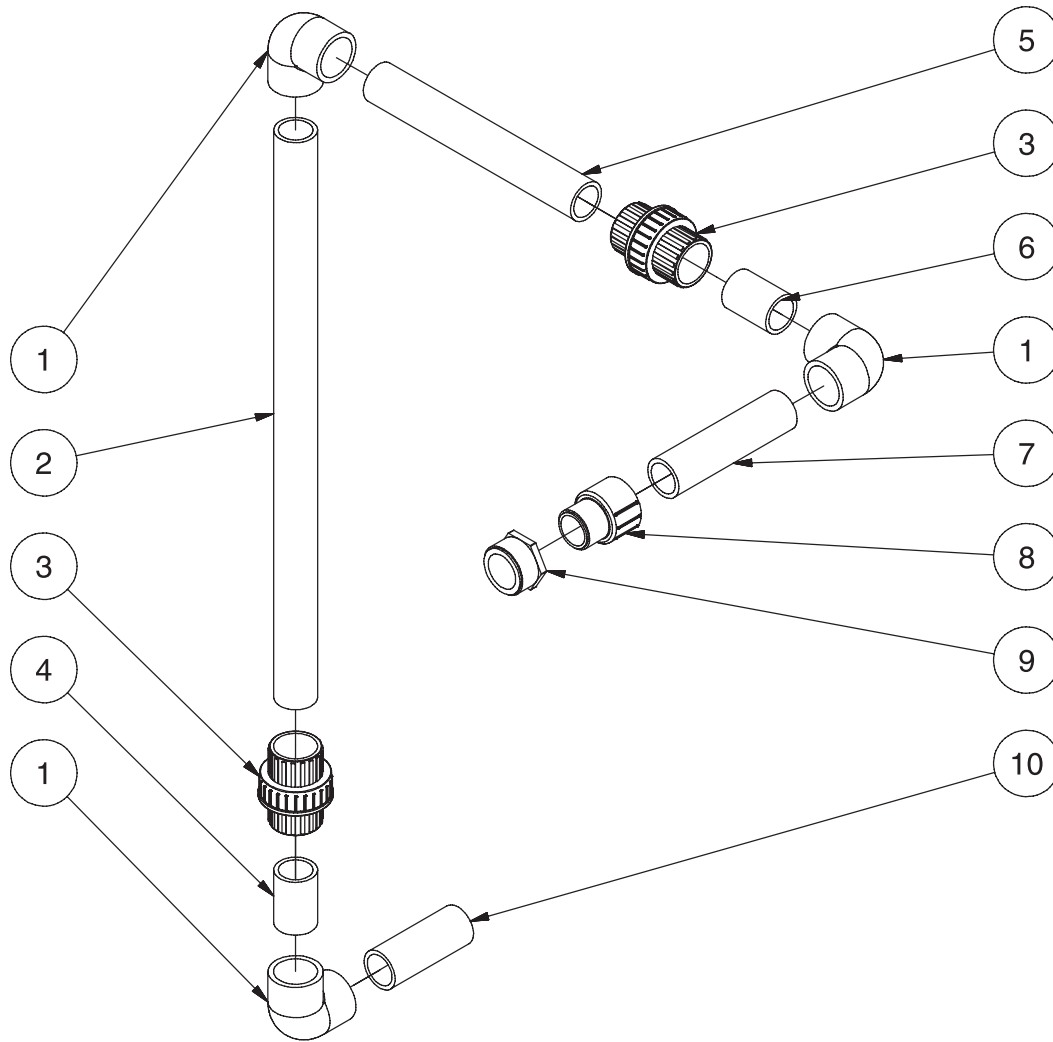
# MULTIMEDIA FILTER INLET ASSEMBLY



MULTIMEDIA FILTER INLET ASY-082405-ASY

MULTIMEDIA FILTER INLET ASSEMBLY							
REF. #	DESCRIPTION	PART#	QTY.	REF. #	DESCRIPTION	PART#	QTY.
1	Reducer Bushing	55-1833	2	14	Pipe *(1-1/2" x 2-4/5")	55-1600	1
2	Male Adapter	55-1622	2	15	Strap Assembly	33-0315	1
3	Pipe *(1-1/2" x 2-4/5")	55-1600	1	16	Lag Bolt	27-5276	4
4	Union (Inc. 25-0448)	55-1645	1	17	Washer	28-0122	4
-	O-ring	25-0448	1	18	Cordset	32-0786	1
5	Pipe *(1-1/2" x 2-4/5")	55-1600	1	19	Pressure Switch	22-0382	1
6	Elbow	55-1609	4	20	Tee	23-0127	1
7	Pipe *(1-1/2" x 4-7/10")	55-1600	1	21	Filter w/Valve (Inc. 22-0282)	19-0540	1
8	Pipe *(1-1/2" x 9-7/10")	55-1600	1	-	Pressure Gauge	22-0282	1
9	Pipe *(1-1/2" x 9-1/4")	55-1685	1	22	Worm Clamp	42-0027	2
10	Pipe *(1-1/2" x 2-1/2")	55-1600	1	23	Flow Meter (Inc. 42-0027)	55-0016	1
11	Gate Valve	55-1671	1		Garnet - 100lb. Bag	33-0304	1
12	Pipe *(1-1/2" x 19-2/5")	55-1600	1		Gravel - 100lb. Bag	33-0303	2
13	Ball Check Valve	55-1652	1	*Must Order in One Foot Lengths			

## PLUMBING: MULTIMEDIA FILTER DRAIN



MULTIMEDIA FILTER DRAIN-062705-ASY

### PLUMBING: MULTIMEDIA FILTER DRAIN

REF. #	DESCRIPTION	PART#	QTY.
1	Elbow	55-1609	3
2	Pipe *(1-1/2" x 30-1/10")	55-1600	1
3	Union (Inc. 25-0448)	55-1645	2
-	O-ring	25-0448	2
4	Pipe *(1-1/2" x 2-4/5")	55-1600	1
5	Pipe *(1-1/2" x 12-7/10")	55-1600	1
6	Pipe *(1-1/2" x 2-7/10")	55-1600	1
7	Pipe *(1-1/2" x 7-1/4")	55-1685	1
8	Male Adapter	55-1622	1
9	Reducer Bushing	55-1833	1
10	Pipe *(1-1/2" x 4-4/5")	55-1600	1

\*Must Order in One Foot Lengths

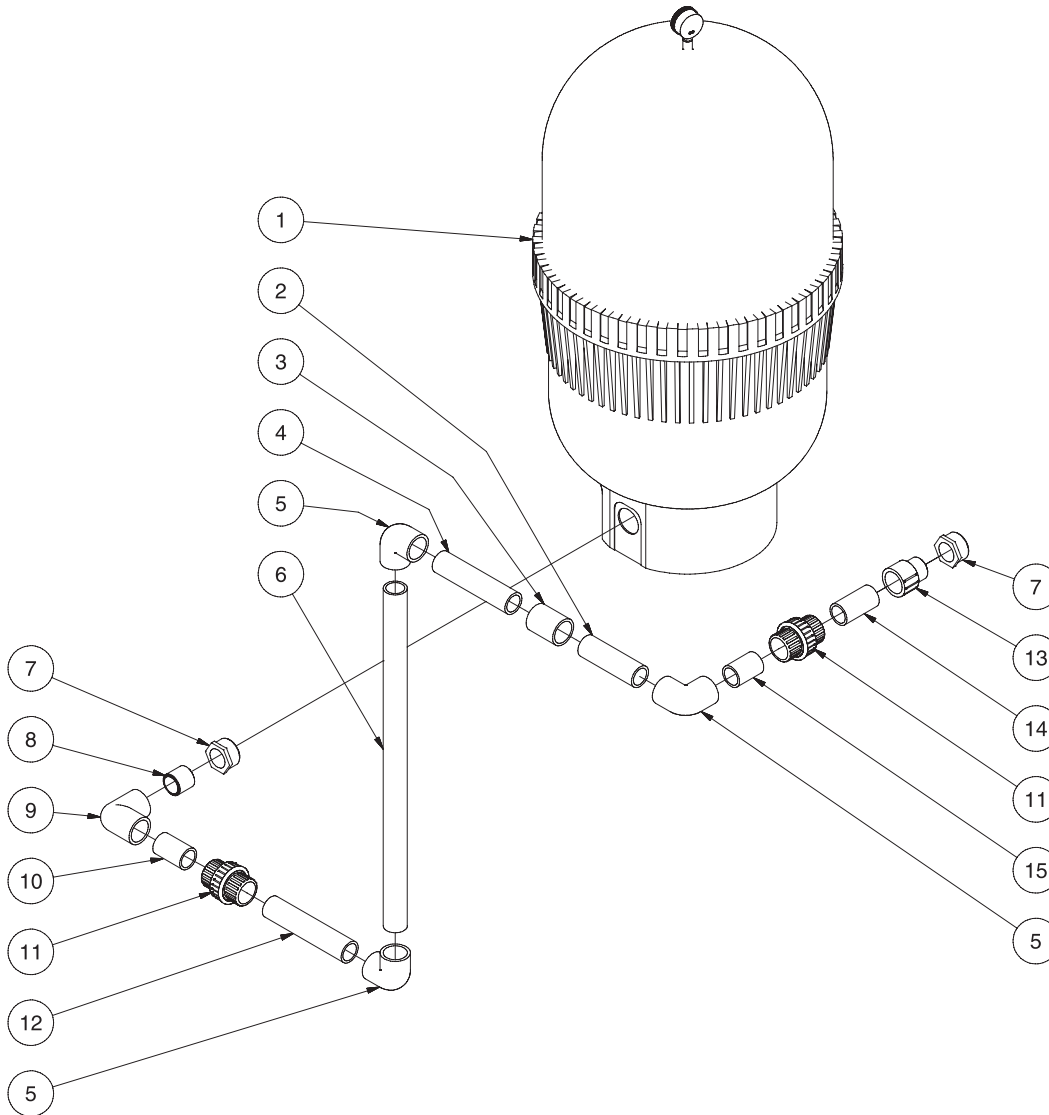
MULTIMEDIA FILTER DRAIN-062705-ASY



## PLUMBING: MULTIMEDIA FILTER TO CARTRIDGE FILTER

MULTIMEDIA FILTER TO CARTRIDGE FILTER-031605-ASY

MULTIMEDIA FILTER TO CARTRIDGE FILTER-031605-ASY

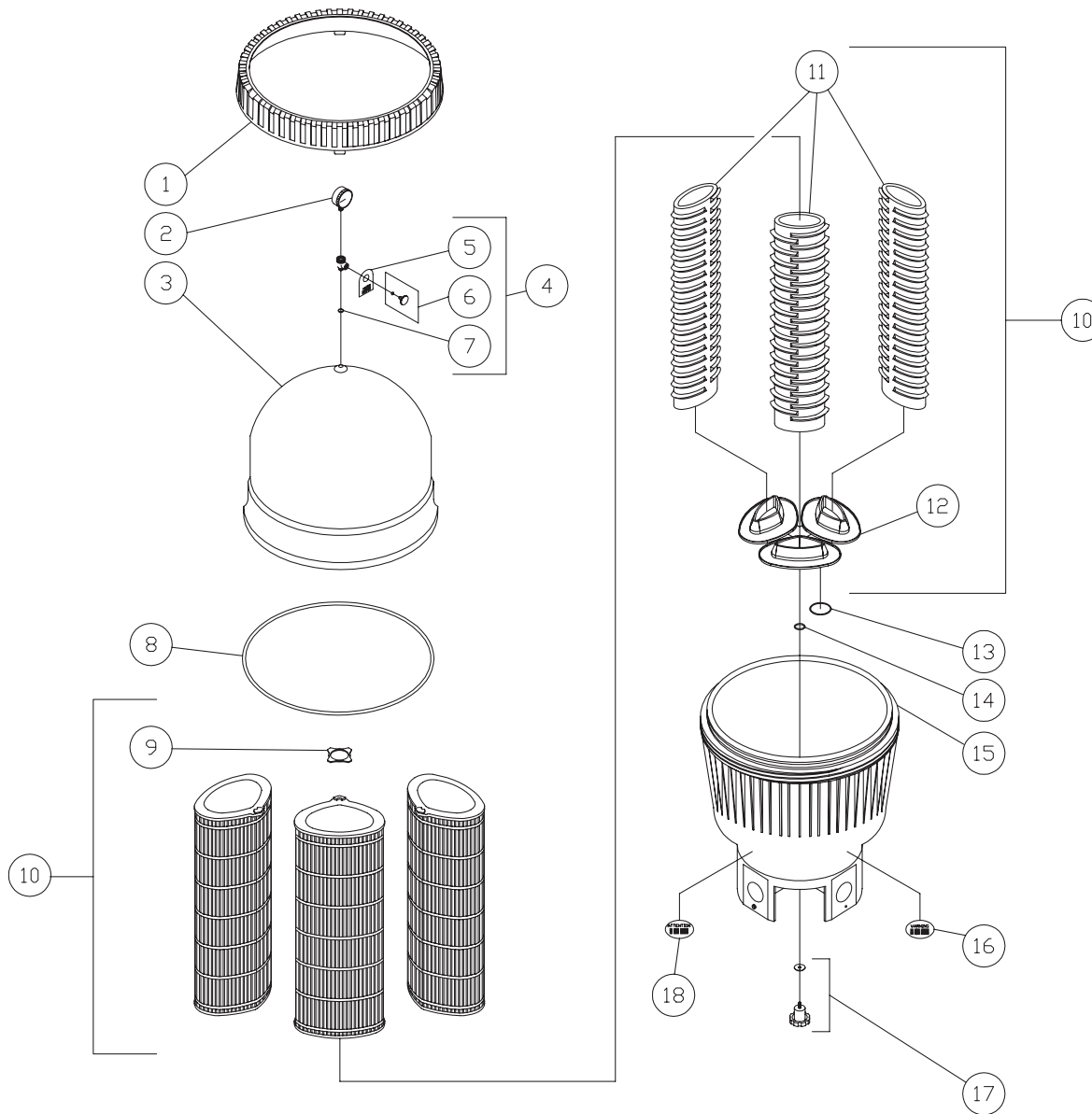


### PLUMBING: MULTIMEDIA FILTER TO CARTRIDGE FILTER

REF. #	DESCRIPTION	PART#	QTY.
1	Cartridge Filter	19-0601	1
2	Pipe *(1-1/2" x 6")	55-1685	1
3	Coupler	55-1614	1
4	Pipe *(1-1/2" x 8-1/8")	55-1600	1
5	Elbow	55-1609	3
6	Pipe *(1-1/2" x 32-7/10")	55-1600	1
7	Reducer Bushing	55-1833	2
8	Nipple	55-1674	1
9	Elbow	55-1610	1
10	Pipe *(1-1/2" x 3")	55-1600	1
11	Union (Inc. 25-0448)	55-1645	2
-	O-ring	25-0448	2
12	Pipe *(1-1/2" x 8-4/5")	55-1600	1
13	Male Adapter	55-1622	1
14	Pipe *(1-1/2" x 3-3/5")	55-1600	1
15	Pipe *(1-1/2" x 2-7/10")	55-1600	2
16	Pipe *(1-1/2" x 14-1/5")	55-1600	1

\*Must Order in One Foot Lengths

## CARTRIDGE FILTER (19-0601)

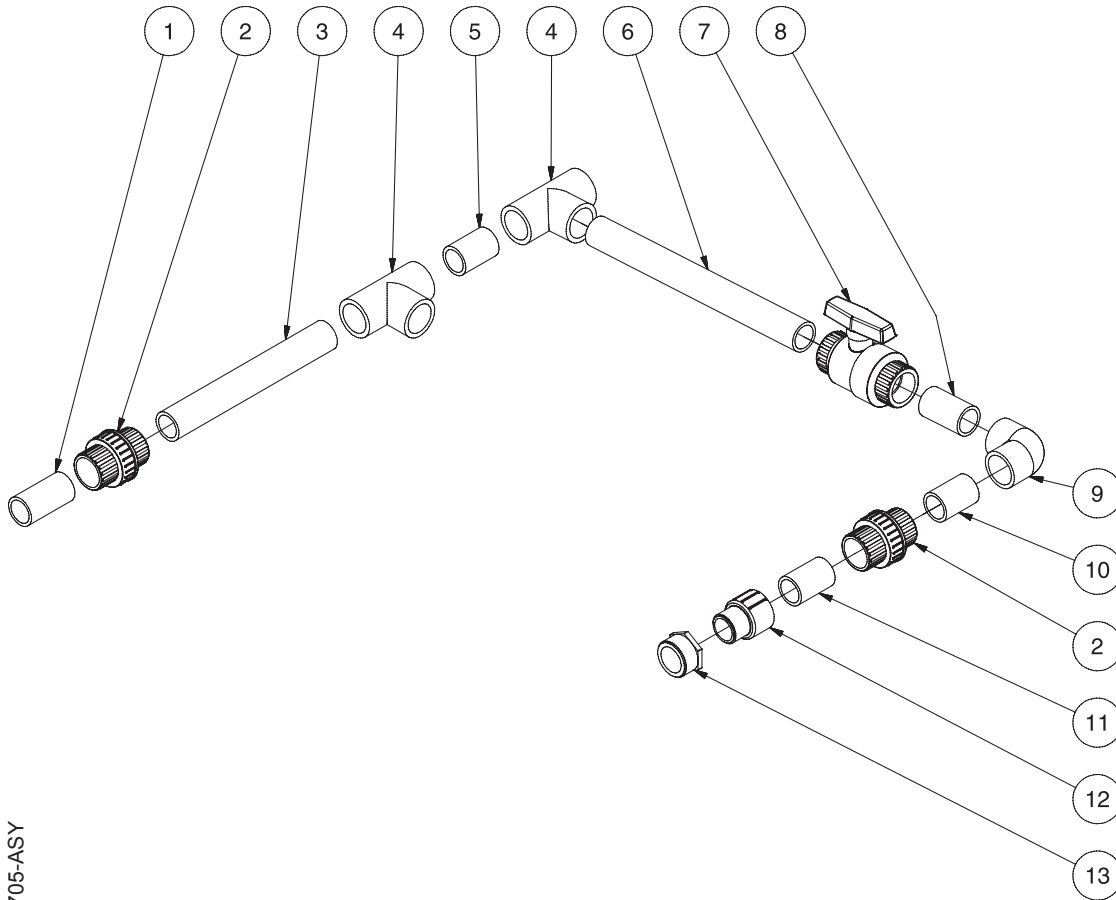


19-0601-070606-PJH

CARTRIDGE FILTER (19-0601)			
REF. #	DESCRIPTION	PART#	QTY.
1	Nut	19-0519	1
2	Pressure Gauge	22-0285	1
3	Cartridge Filter Top	19-0520	1
4	Valve Assembly (Includes 5-7)	19-0607	1
5	Decal- Caution: Air Vent	34-0959	1
6	Knob w/ O-ring	19-0517	1
7	O-ring	25-0123	1
8	O-ring	25-0453	1
9	Retainer Ring	19-0608	1
10	Filter (Inc. 9, 11-12)	19-0098	3
11	Filter Support	19-0522	3
12	Manifold- Filter Support	19-0524	1
13	O-ring- Manifold Large	25-0454	1
14	O-ring- Manifold Small	25-0455	1
15	Cartridge Filter Base	19-0525	1
16	Decal- Warning: High Pressure	34-0960	1
17	Manifold Knob w/ Washer	7-0155	1
18	Decal- Attention: Reassembly Filter	34-0961	1

19-0601-070606-PJH

## PLUMBING: CARTRIDGE FILTER DRAIN LINE

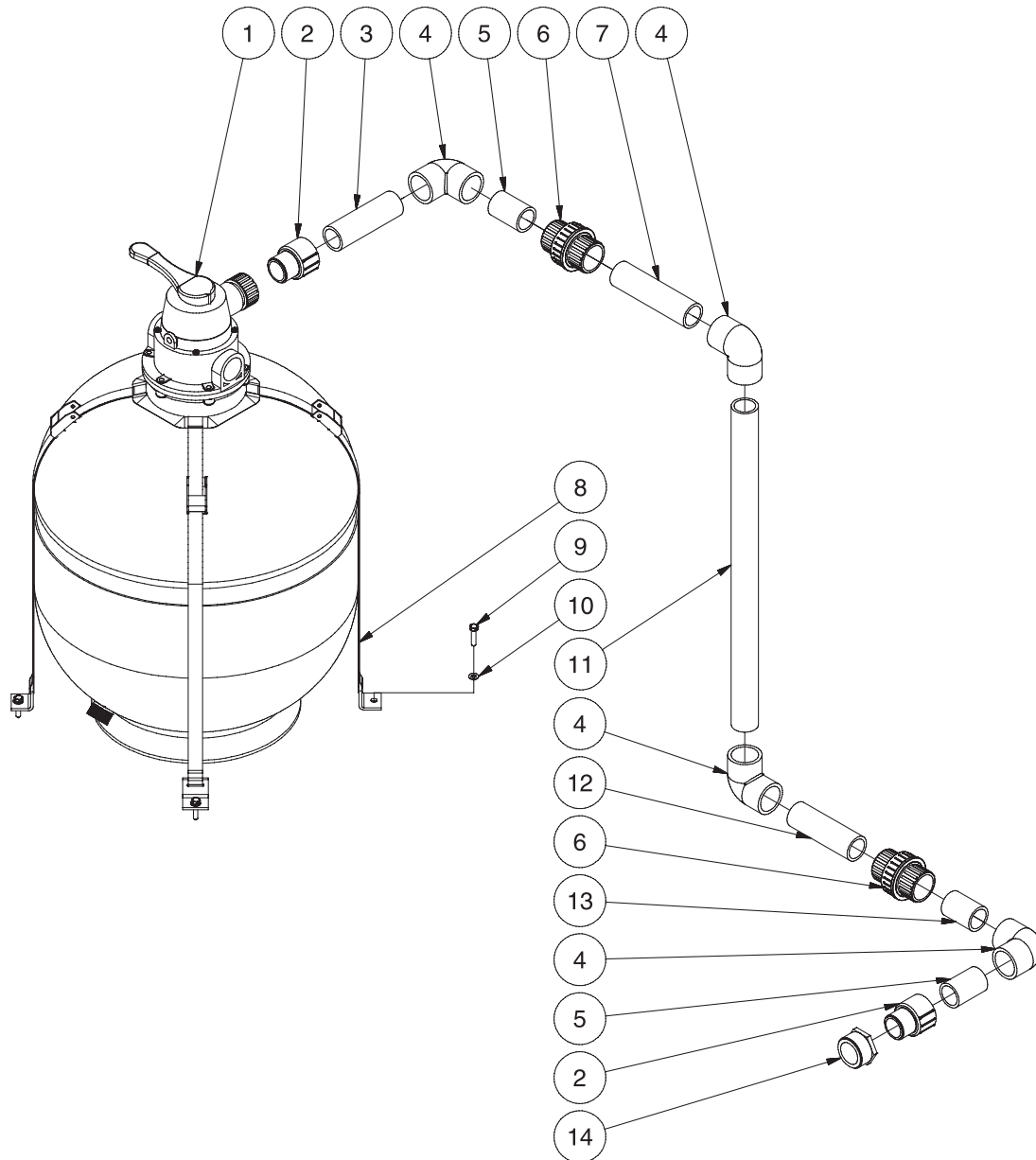


CARTRIDGE FILTER DRAIN LINE-062705-ASY

PLUMBING: CARTRIDGE FILTER DRAIN LINE			
REF. #	DESCRIPTION	PART#	QTY.
1	Pipe *(1-1/2" x 3")	55-1600	1
2	Union (Inc. 25-0448)	55-1645	2
-	O-ring	25-0448	2
3	Pipe *(1-1/2" x 13-1/8")	55-1600	1
4	Tee	55-1601	2
5	Pipe *(1-1/2" x 2-3/4")	55-1600	1
6	Pipe *(1-1/2" x 16-1/10")	55-1600	1
7	Ball Valve	55-1655	1
8	Pipe *(1-1/2" x 3-1/5")	55-1600	1
9	Elbow	55-1609	1
10	Pipe *(1-1/2" x 2-7/10")	55-1600	1
11	Pipe *(1-1/2" x 2-4/5")	55-1600	1
12	Male Adapter	55-1622	1
13	Reducer Bushing	55-1833	1
*Must Order in One Foot Lengths			

CARTRIDGE FILTER DRAIN LINE-062705-ASY

## PLUMBING: CARTRIDGE FILTER TO POLISHING FILTER



CARTRIDGE FILTER TO POLISHING FILTER-062305-ASY

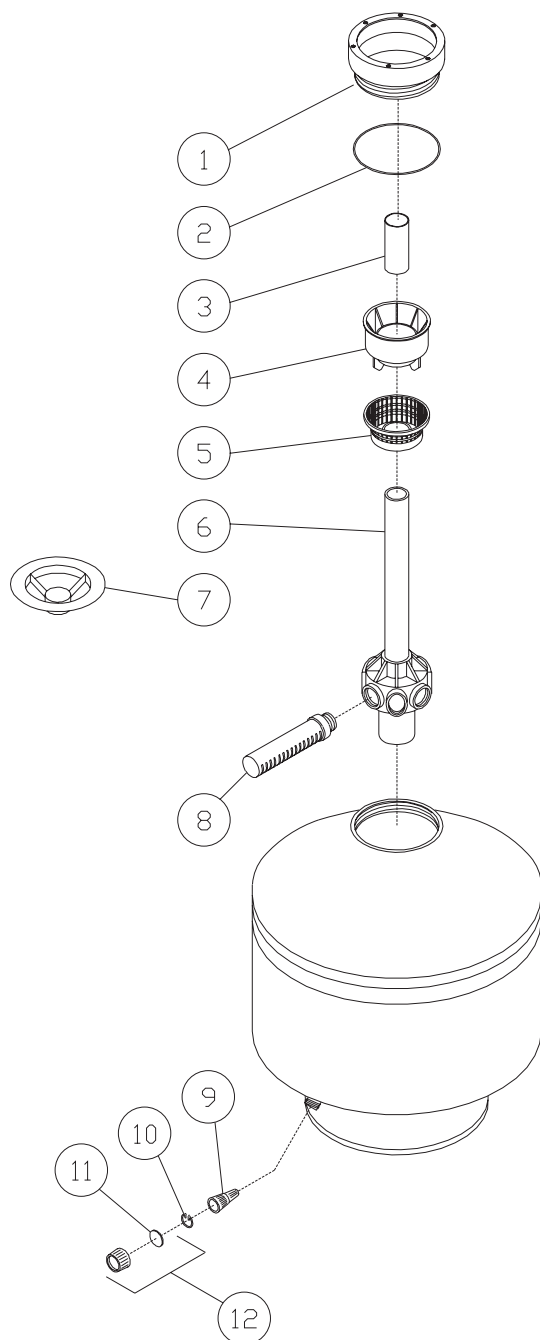
### PLUMBING: CARTRIDGE FILTER TO POLISHING FILTER

REF. #	DESCRIPTION	PART#	QTY.
1	Polishing Filter	19-0502	1
2	Male Adapter	55-1622	2
3	Pipe *(1-1/2" x 6")	55-1685	1
4	Elbow	55-1609	4
5	Pipe *(1-1/2" x 2-4/5")	55-1600	1
6	Union (Inc. 25-0448)	55-1645	2
-	O-ring	25-0448	2
7	Pipe *(1-1/2" x 7-1/5")	55-1600	1
8	Strap Assembly	33-0316	1
9	Lag Bolt	27-5276	4
10	Washer	28-0122	4
11	Pipe *(1-1/2" x 27-1/10")	55-1600	1
12	Pipe *(1-1/2" x 5-9/10")	55-1600	1
13	Pipe *(1-1/2" x 2-7/10")	55-1600	1
14	Reducer Bushing	55-1833	1
	Activated Carbon (55 lb. Bag)	33-0302	2

\*Must Order in One Foot Lengths

CARTRIDGE FILTER TO POLISHING FILTER-062305-ASY

## FILTER (19-0502)

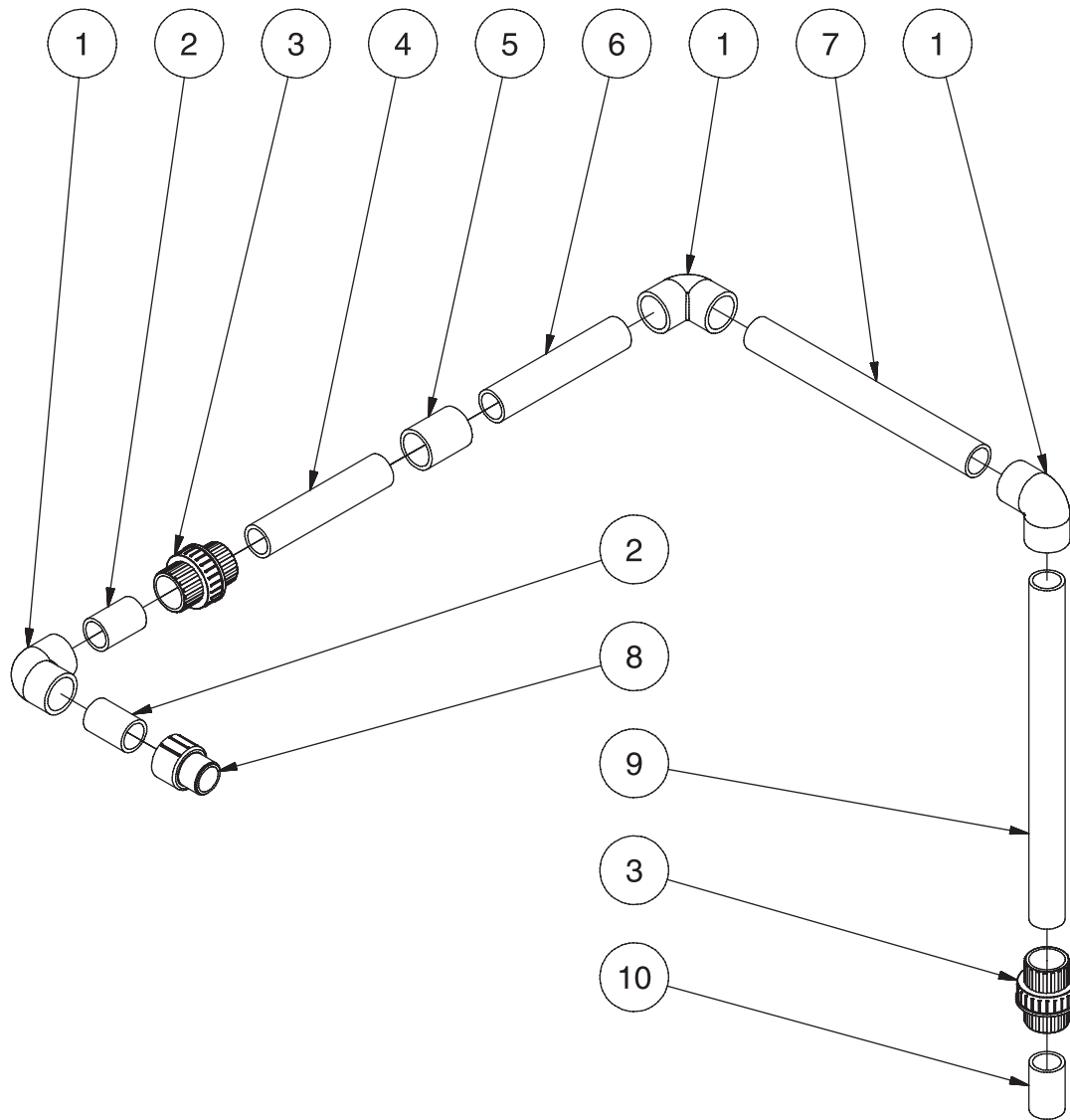


19-0502-020499-JJ

FILTER (19-0502)			
REF. #	DESCRIPTION	PART#	QTY.
1	Tank Adapter	19-0518	1
2	O-ring	25-0451	1
3	Pipe	55-0029	1
4	Diverter	19-0511	1
5	Filter Basket	19-0513	1
6	Standpipe Assembly	55-0038	1
7	Fill Spout	19-0512	1
8	Lateral (Eight per package)	55-0040	1
9	Drain Nozzle	18-0335	1
10	Drain Nozzle Retainer	42-0029	1
11	Drain Nozzle Gasket	26-0212	1
12	Drain Cap (Includes Gasket 26-0212)	39-0108	1
	Complete Filter (Inc. 1-12)	19-0502	

19-0502-020499-JJ

## PLUMBING: POLISHING FILTER DRAIN

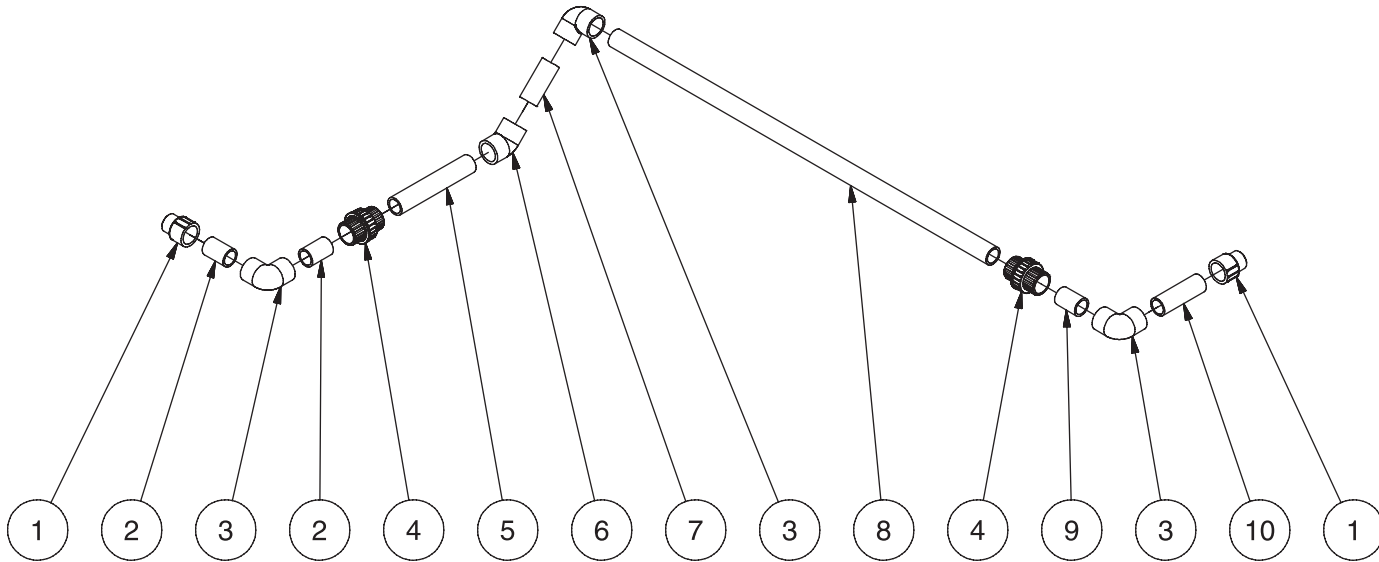


POLISHING FILTER DRAIN-031605-ASY

PLUMBING: POLISHING FILTER DRAIN			
REF. #	DESCRIPTION	PART#	QTY.
1	Elbow	55-1609	3
2	Pipe *(1-1/2" x 2-4/5")	55-1600	2
3	Union (Inc. 25-0448)	55-1645	2
-	O-ring	25-0448	2
4	Pipe *(1-1/2" x 9-1/8")	55-1685	1
5	Coupler	55-1614	1
6	Pipe *(1-1/2" x 9-2/5")	55-1600	1
7	Pipe *(1-1/2" x 16-2/5")	55-1600	1
8	Male Adapter	55-1622	1
9	Pipe *(1-1/2" x 21-7/10")	55-1600	1
10	Pipe *(1-1/2" x 3")	55-1600	1
*Must Order in One Foot Lengths			

POLISHING FILTER DRAIN-031605-ASY

## PLUMBING: POLISHING FILTER TO PRODUCT TANK

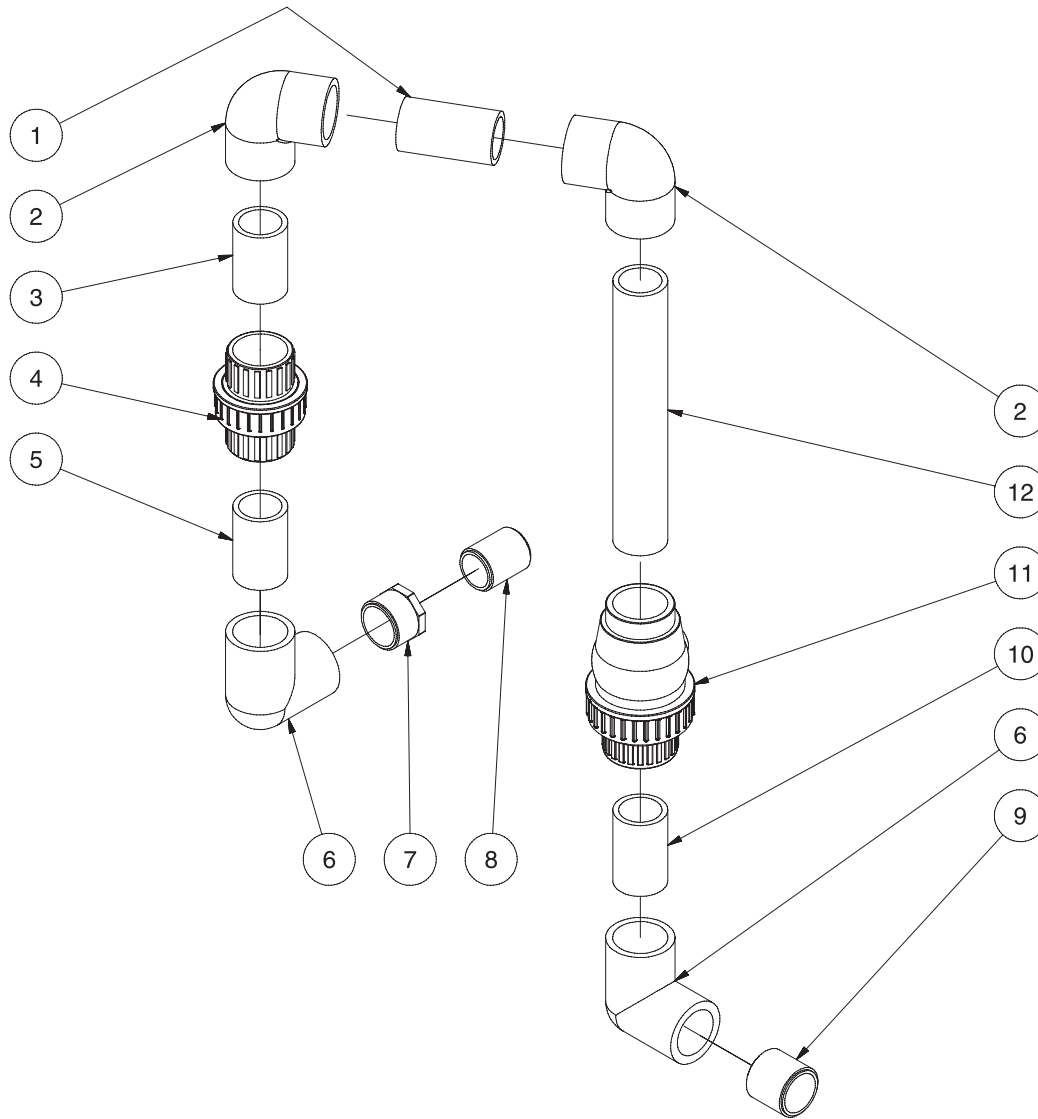


POLISHING FILTER TO PRODUCT TANK-062805-ASY

PLUMBING: POLISHING FILTER TO PRODUCT TANK			
REF. #	DESCRIPTION	PART#	QTY.
1	Male Adapter	55-1622	2
2	Pipe *(1-1/2" x 2-4/5")	55-1600	2
3	Elbow	55-1609	3
4	Union (Inc. 25-0448)	55-1645	2
-	O-ring	25-0448	2
5	Pipe *(1-1/2" x 10-1/8")	55-1685	1
6	Elbow	55-1612	1
7	Pipe *(1-1/2" x 4-3/10")	55-1600	1
8	Pipe *(1-1/2" x 50-9/10")	55-1600	1
9	Pipe *(1-1/2" x 2-7/10")	55-1600	1
10	Pipe *(1-1/2" x 5-3/5")	55-1600	1
*Must Order in One Foot Lengths			

POLISHING FILTER TO PRODUCT TANK-062805-ASY

## PLUMBING: TRANSFER PUMP INLET



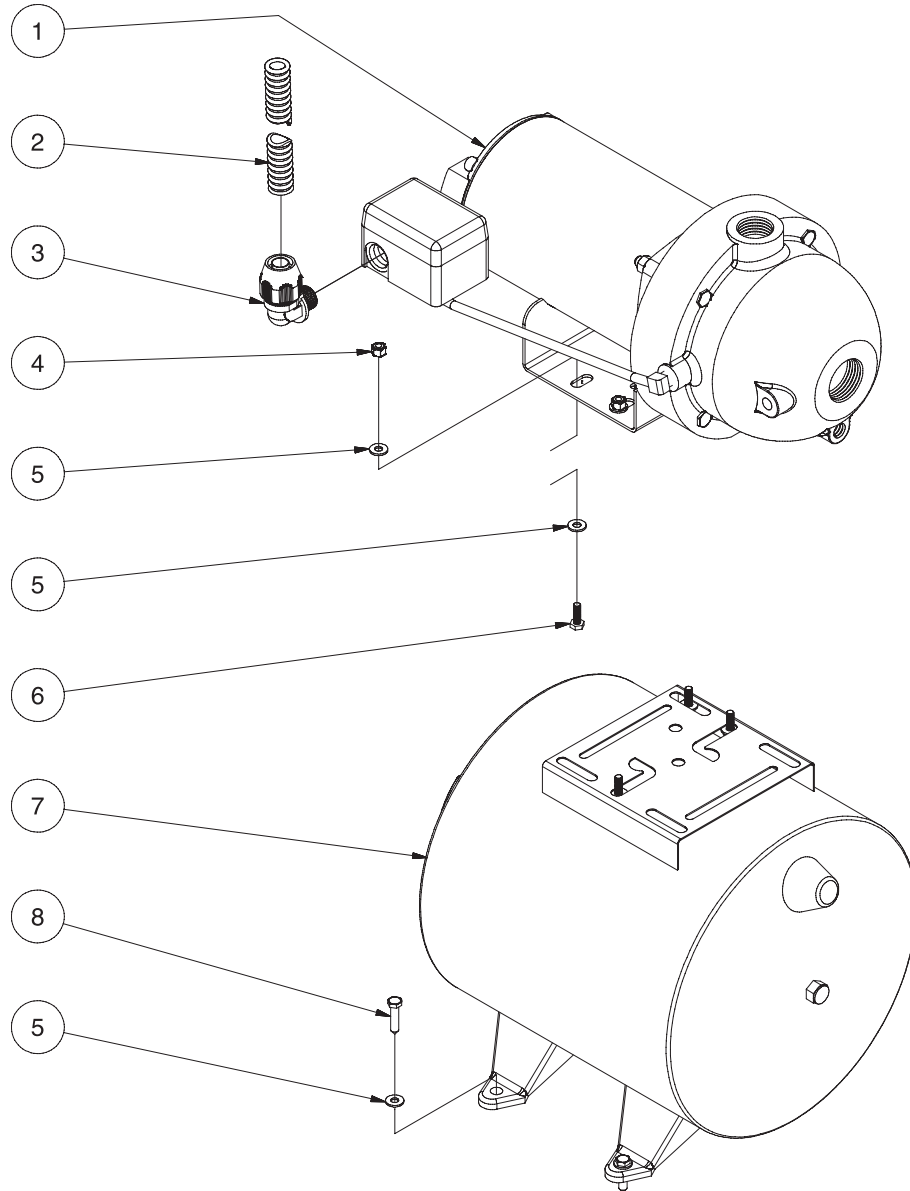
TRANSFER PUMP INLET-031705-ASY

PLUMBING: TRANSFER PUMP INLET			
REF. #	DESCRIPTION	PART#	QTY.
1	Pipe *(1-1/2" x 3-2/5")	55-1600	1
2	Elbow	55-1609	2
3	Pipe *(1-1/2" x 2-4/5")	55-1600	1
4	Union (Inc. 25-0448)	55-1645	1
-	O-ring	25-0448	1
5	Pipe *(1-1/2" x 2-9/10")	55-1600	1
6	Elbow	55-1610	2
7	Reducer Bushing	55-1633	1
8	Nipple	55-1474	1
9	Nipple	55-1674	1
10	Pipe *(1-1/2" x 3")	55-1600	1
11	Ball Check Valve	55-1652	1
12	Pipe *(1-1/2" x 11")	55-1600	1
*Must Order in One Foot Lengths			

TRANSFER PUMP INLET-031705-ASY



## TRANSFER PUMP AND TANK ASSEMBLY

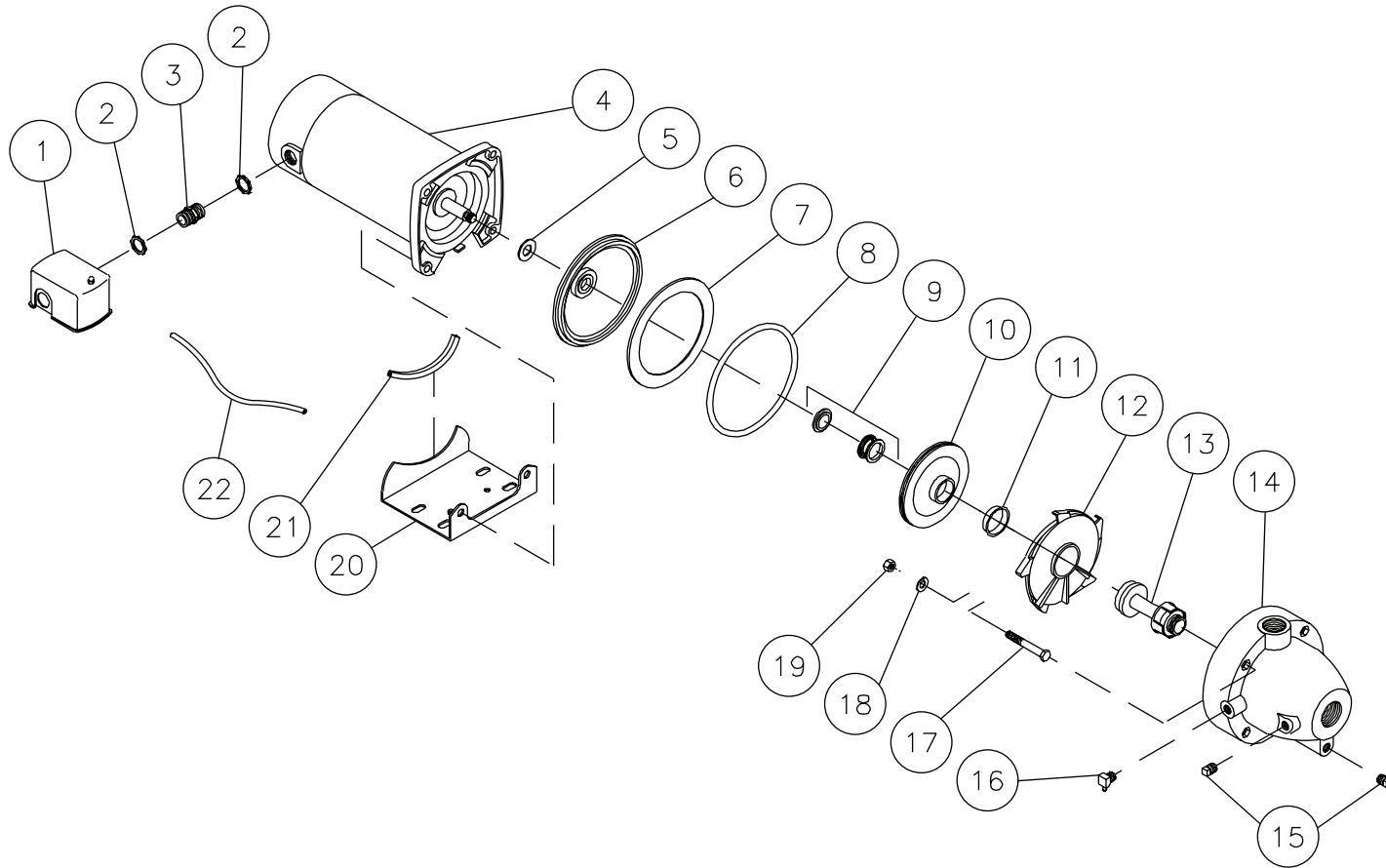


TRANSFER PUMP AND TANK ASSY-031705-ASY

TRANSFER PUMP & TANK ASSY-031705-ASY

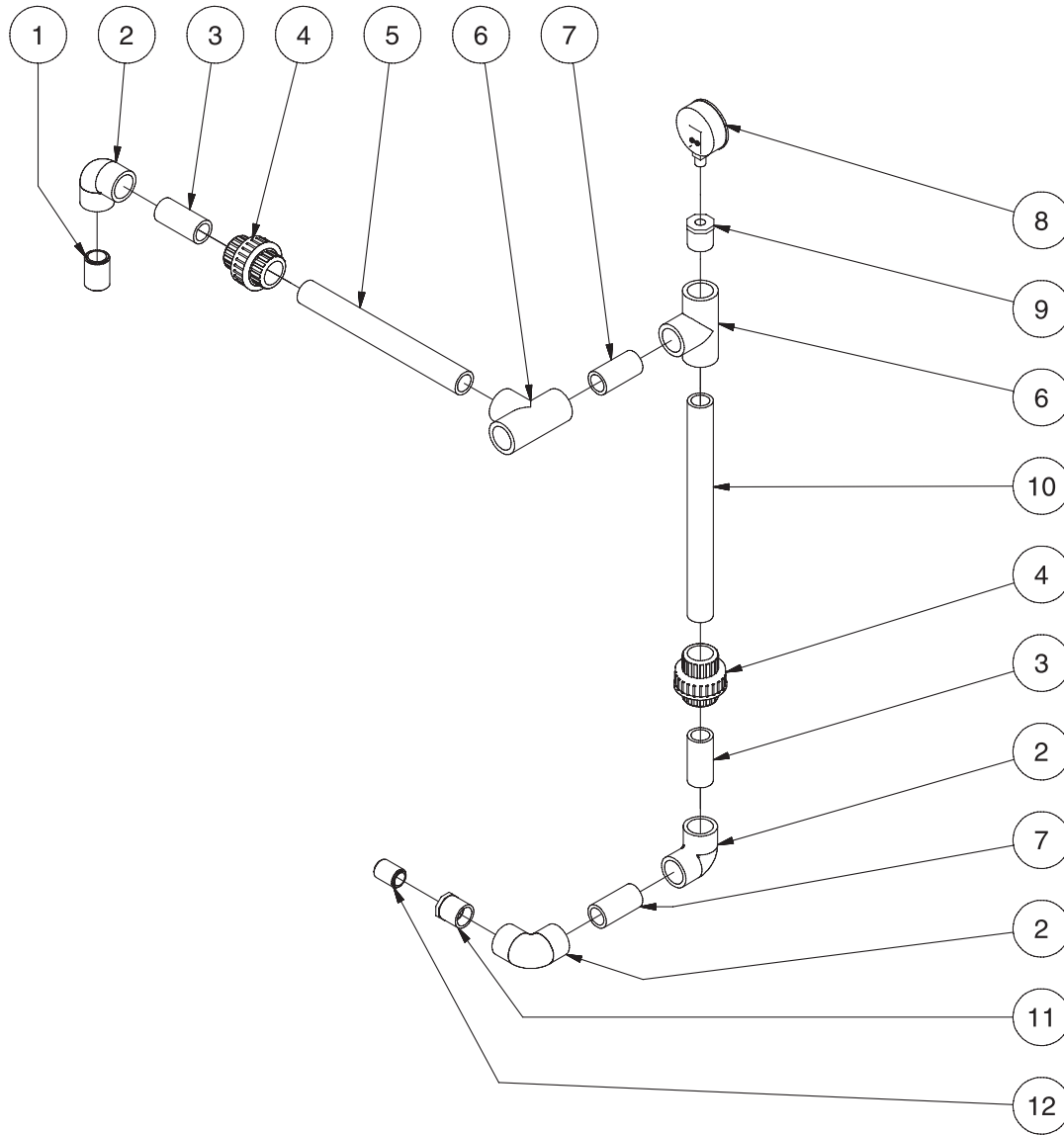
TRANSFER PUMP AND TANK ASSEMBLY			
REF. #	DESCRIPTION	PART#	QTY.
1	Transfer Pump	3-0181	1
2	Conduit *(Three Feet Required)	32-0253	1
3	Conduit Elbow	32-0254	1
4	Locknut	30-5155	4
5	Washer	28-0121	12
6	Bolt	27-0015	4
7	Pressure Tank	12-0158	1
8	Lag Bolt	27-5277	4
*Must Order in One Foot Lengths			

# TRANSFER PUMP (3-0181)



TRANSFER PUMP (3-0181)							
REF. #	DESCRIPTION	PART#	QTY.	REF. #	DESCRIPTION	PART#	QTY.
1	Pressure Switch	22-0293	1	13	Venturi	46-0836	1
2	Locknut	32-0108	2	14	Case	46-0837	1
3	Fitting	54-0040	1	15	Plug	39-0109	2
4	Motor (See 3-0181)	N/A Sep.	1	16	Elbow	23-0381	1
5	Rubber Washer (See 3-0181)	N/A Sep.	1	17	Bolt	27-8937	4
6	Seal Plate	26-0214	1	18	Lock Washer	29-0008	4
7	Disk	46-0834	1	19	Nut	30-0006	4
8	O-ring (See 70-0257)	N/A Sep.	1	20	Base (Includes Ref. 21)	5-0144	1
9	Seal	26-0215	1	21	Rubber Protector	33-0320	1
10	Impeller (See 70-0257)	N/A Sep.	1	22	Hose	15-0210	1
11	Wear Ring	46-0835	1		Impeller Kit (Includes 8-12)	70-0257	1
12	Diffuser (See 70-0257)	N/A Sep.	1		Transfer Pump (Includes 1-22)	3-0181	

## PLUMBING: TRANSFER PUMP TO TANK

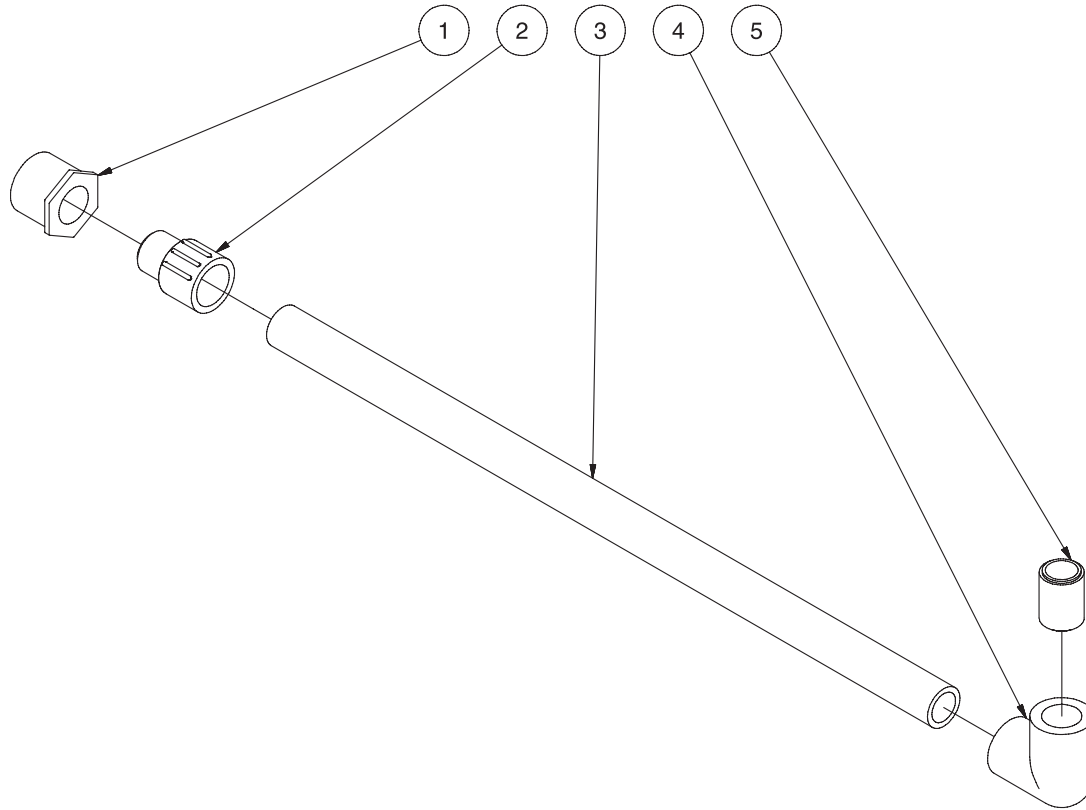


TRANSFER PUMP TO PRESSURE TANK-062905-ASY

PLUMBING: TRANSFER PUMP TO TANK			
REF. #	DESCRIPTION	PART#	QTY.
1	Nipple	55-1274	1
2	Elbow	55-1209	3
3	Pipe *(1" x 2 4/5")	55-1200	2
4	Union (Inc. 25-0447)	55-1245	2
-	O-ring	25-0447	2
5	Pipe *(1" x 11 3/10")	55-1200	1
6	Tee	55-1201	2
7	Pipe *(1" x 2 3/5")	55-1200	2
8	Pressure Gauge	22-0280	1
9	Reducer Bushing	55-1231	1
10	Pipe *(1" x 13 3/10")	55-1200	1
11	Reducer Bushing	55-1228	1
12	Nipple	55-1074	1
*Must Order in One Foot Lengths			

TRANSFER PUMP TO PRESSURE TANK-062905-ASY

## PLUMBING: RAIN WATER OVERFLOW

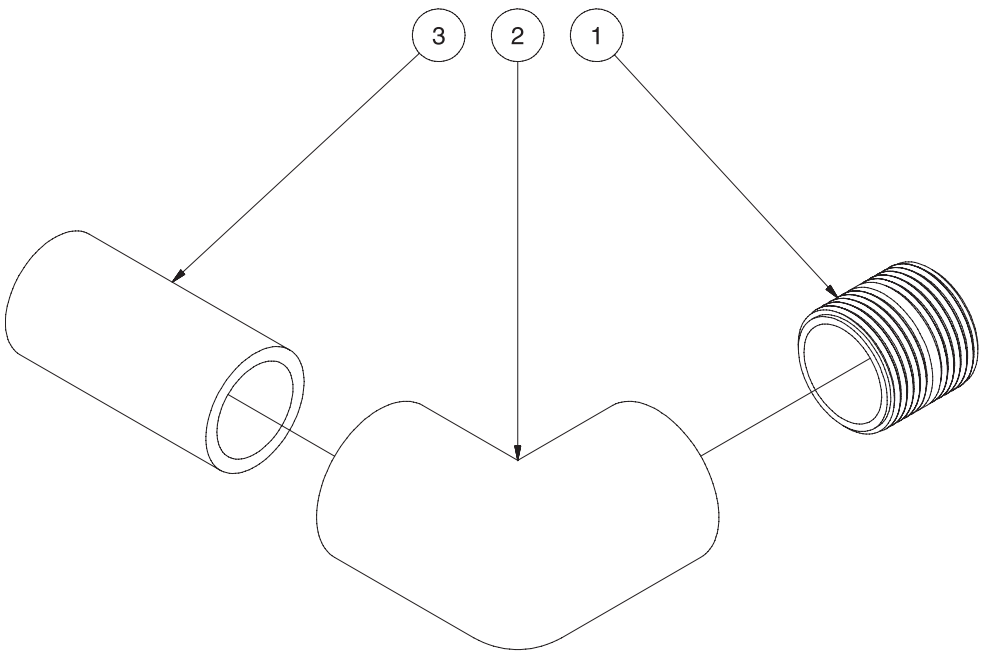


RAIN WATER OVERFLOW-062705-ASY

PLUMBING: RAIN WATER OVERFLOW			
REF. #	DESCRIPTION	PART#	QTY.
1	Reducer Bushing	55-1629	1
2	Male Adapter	55-1222	1
3	Pipe *(1" x 26-4/5")	55-1200	1
4	Elbow	55-1210	1
5	Nipple	55-1274	1
*Must Order in One Foot Lengths			

RAIN WATER OVERFLOW-062705-ASY

**PLUMBING: OIL DECANTER INLET**

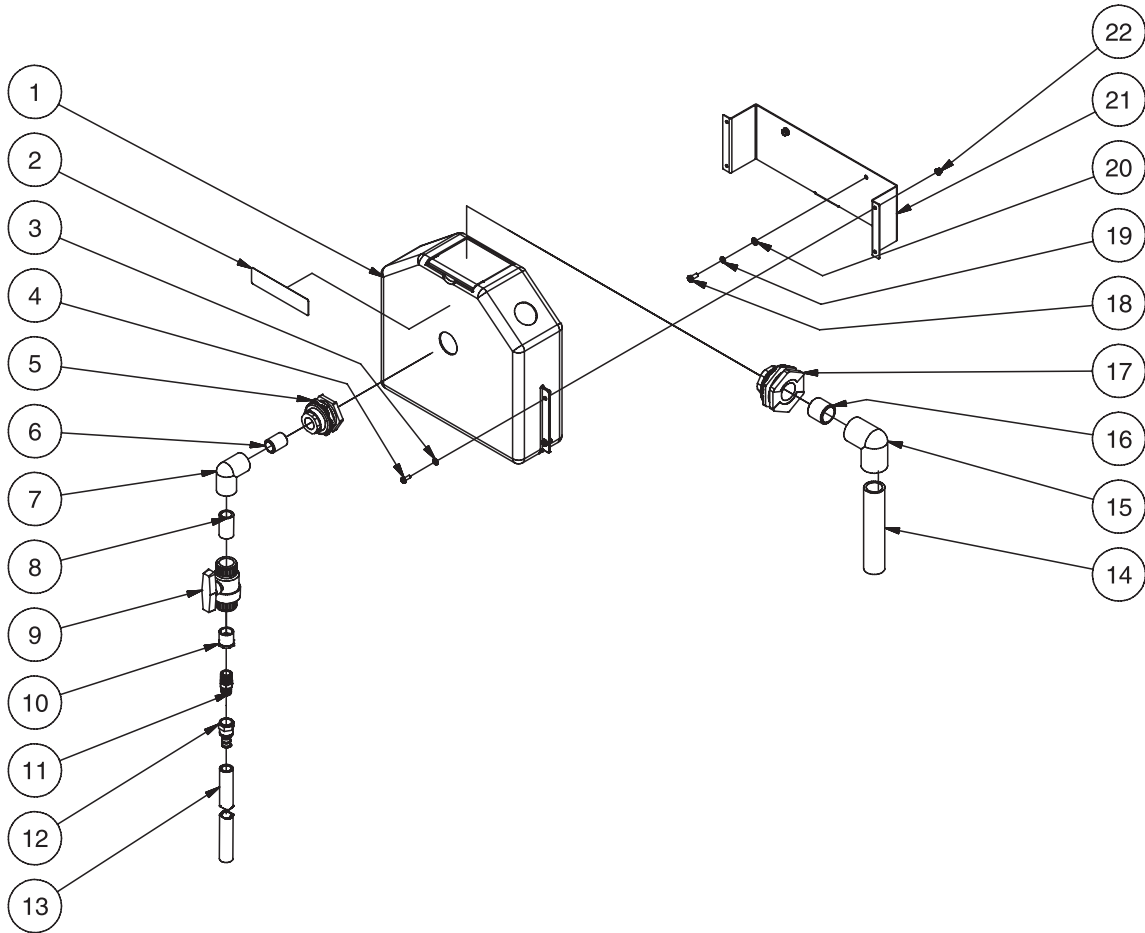


OIL DECANTER INLET-030304-ASY

OIL DECANTER INLET-030304-ASY

PLUMBING: OIL DECANTER INLET			
REF. #	DESCRIPTION	PART#	QTY.
1	Nipple	12-0124	1
2	Elbow	34-1151	1
3	Pipe *(1-1/2" x 3-7/8")	55-1600	1
*Must Order in One Foot Lengths			

# OIL DECANTER ASSEMBLY

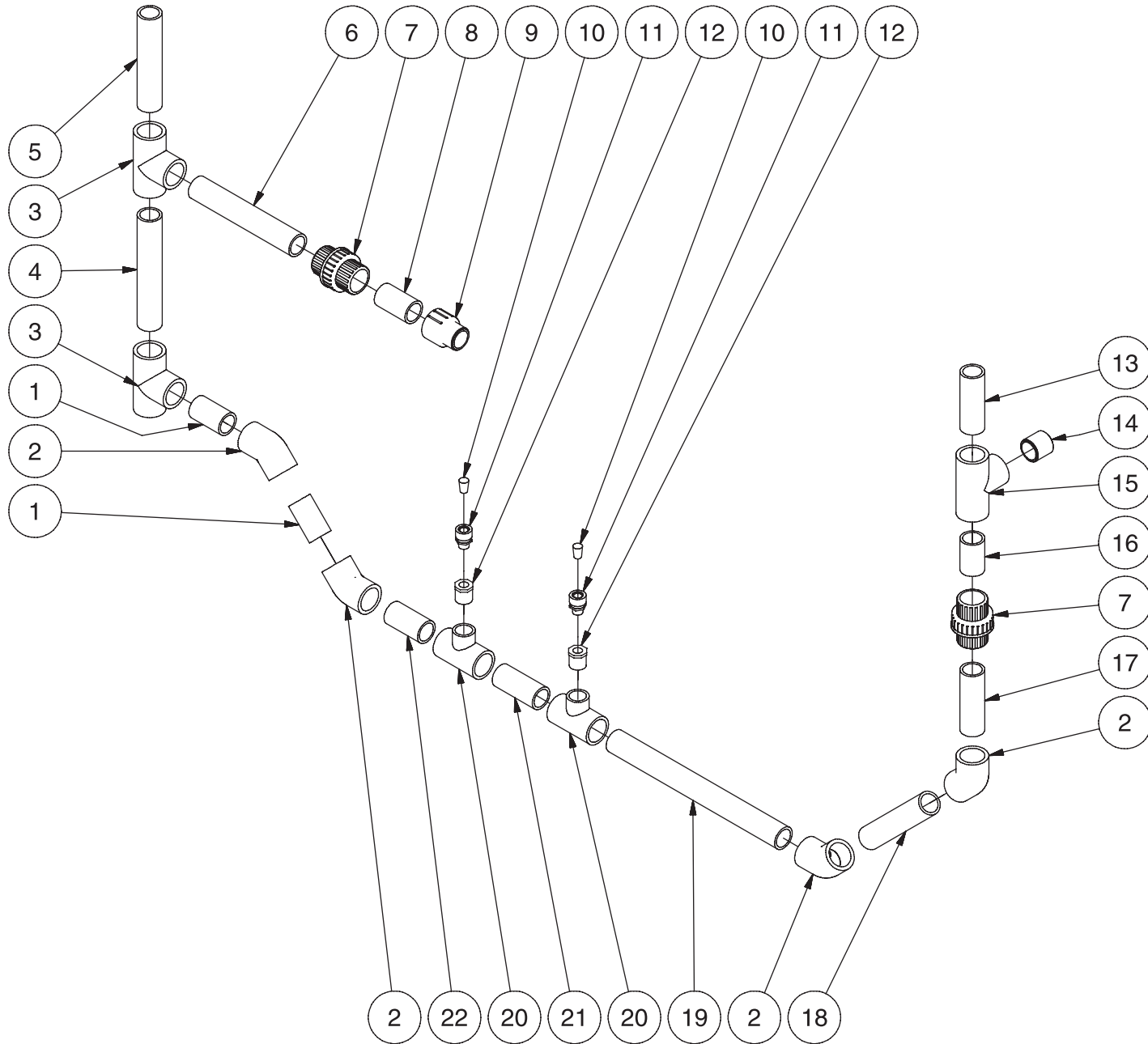


OIL DECANTER ASSY-021105-ASY

OIL DECANTER ASSEMBLY			
REF. #	DESCRIPTION	PART#	QTY.
1	Oil Decanter Tank	12-0124	1
2	Decal- Oil Decanter	34-1151	1
3	Washer	28-0121	4
4	Bolt	27-5016	4
5	Bulkhead Fitting (Inc. O-ring 25-0482)	55-1286	1
-	O-ring	25-0482	1
6	Nipple	55-1274	1
7	Elbow	55-1210	1
8	Pipe *(1" x 2-1/4")	55-1200	1
9	Ball Valve	55-1255	1
10	Reducer Bushing	55-1228	1
11	Nipple	23-0362	1
12	Hose Barb	23-0358	1
13	Hose *(Seven Feet Required)	15-0033	1
14	Pipe *(1-1/2" x 9")	55-1600	1
15	Elbow	55-1610	1
16	Nipple	55-1674	1
17	Bulkhead Fitting (Inc. O-ring 25-0481)	55-1686	1
-	O-ring	25-0481	1
18	Bolt	27-5066	2
19	Lockwasher	29-0007	2
20	Washer	28-0122	2
21	Mounting Bracket	21-0172	1
22	Flange Nut	30-5202	4
*Must Order in One Foot Lengths			

OIL DECANTER ASSY-021105-ASY

# PLUMBING: PH & ORP SENSOR

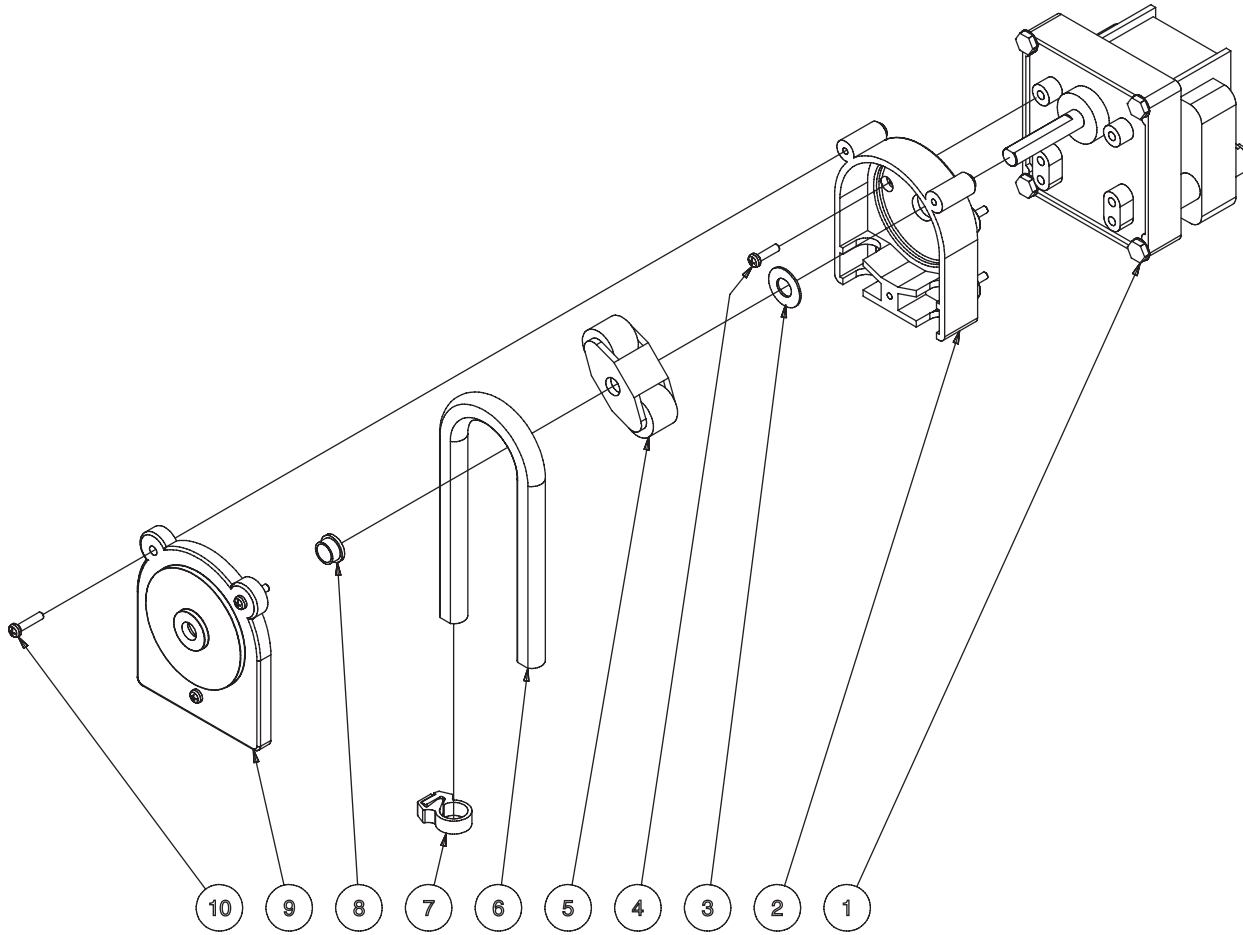


PH&ORP SENSOR PLUMBING-032305-ASY



PLUMBING: PH & ORP SENSOR							
REF. #	DESCRIPTION	PART#	QTY.	REF. #	DESCRIPTION	PART#	QTY.
1	Pipe *(1-1/2" x 4-3/5")	55-1600	2	12	Reducer Bushing	55-1229	2
2	Elbow	55-1612	4	13	Pipe *(1-1/2" x 5-1/4")	55-1600	1
3	Tee	55-1601	2	14	Nipple	55-1674	1
4	Pipe *(1-1/2" x 10-1/5")	55-1600	1	15	Tee	55-1607	1
5	Pipe *(1-1/2" x 8-5/8")	55-1600	1	16	Pipe *(1-1/2" x 2-9/10")	55-1600	1
6	Pipe *(1-1/2" x 10-4/5")	55-1600	1	17	Pipe *(1-1/2" x 6-3/10")	55-1600	1
7	Union (Inc. 25-0448)	55-1645	2	18	Pipe *(1-1/2" x 10-3/5")	55-1600	1
-	O-ring	25-0448	2	19	Pipe *(1-1/2" x 18-9/10")	55-1600	1
8	Pipe *(1-1/2" x 3-3/10")	55-1600	1	20	Tee	55-1603	2
9	Male Adapter	55-1622	1	21	Pipe *(1-1/2" x 4-3/10")	55-1600	1
10	Plug	32-0559	2	22	Pipe *(1-1/2" x 4-2/5")	55-1600	1
11	Strain Relief	32-0550	2	*Must Order in One Foot Lengths			

# PH / ORP PUMP (3-0182)

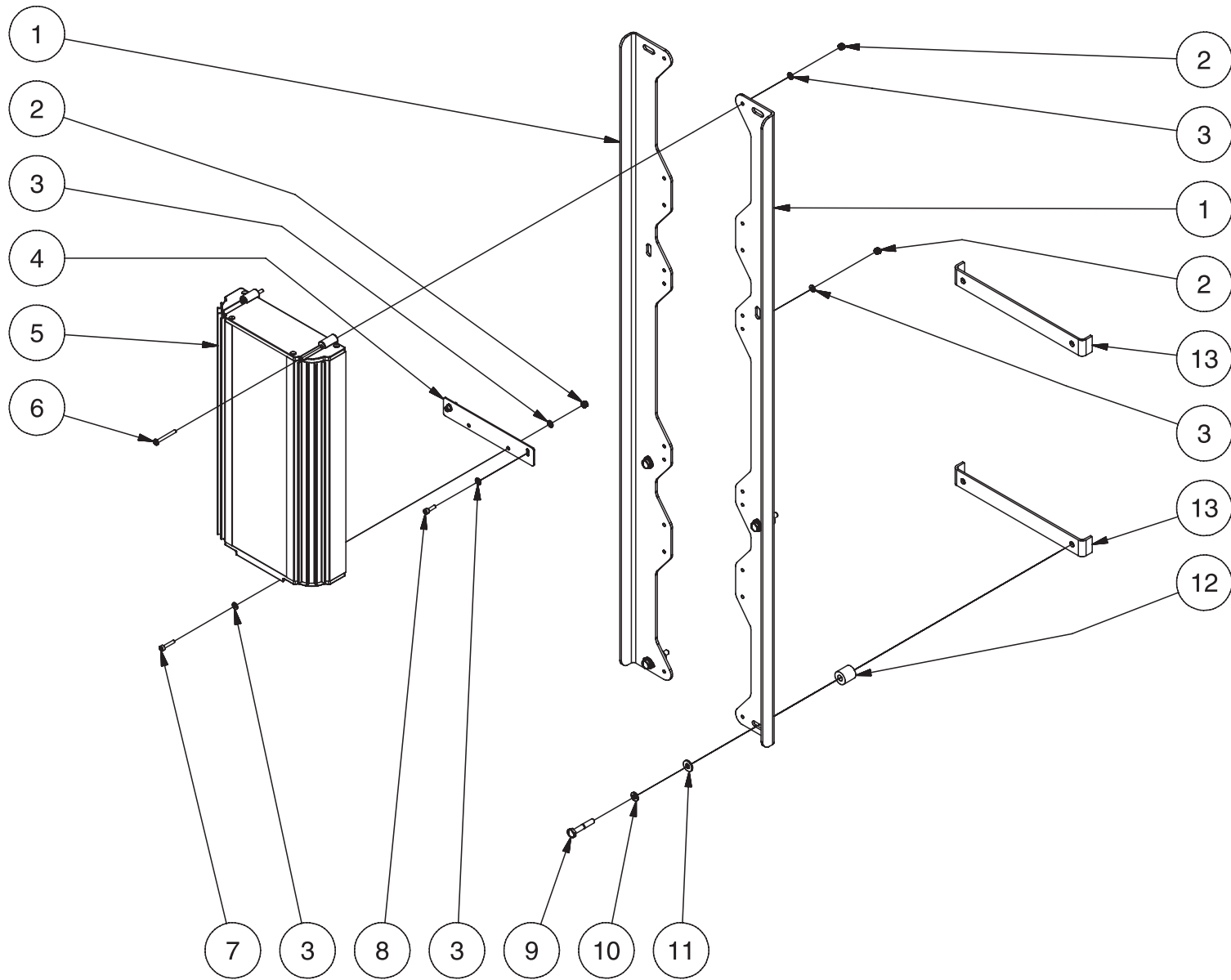


3-0182-042604-ASY

3-0182-042604-ASY

PH/ ORP PUMP (3-0182)			
REF. #	DESCRIPTION	PART#	QTY.
1	Motor	N/A	1
2	Housing (See 70-0245)	N/A Sep.	1
3	Screw	27-2771	4
4	Washer (See 70-0245)	N/A Sep.	1
5	Roller Bracket Assembly	46-0830	1
6	Tube	15-0205	1
7	Clamp	42-0028	1
8	Bushing	9-0080	1
9	Pump Cover (See 70-0245)	N/A Sep.	1
10	Screw (See 70-0245)	N/A Sep.	3
	PH/ORP Pump Kit (Includes 2, 4, 5, 9, 10)	70-0245	1
	PH/ORP Pump (Includes 1- 10)	3-0182	1

# OZONE GENERATOR

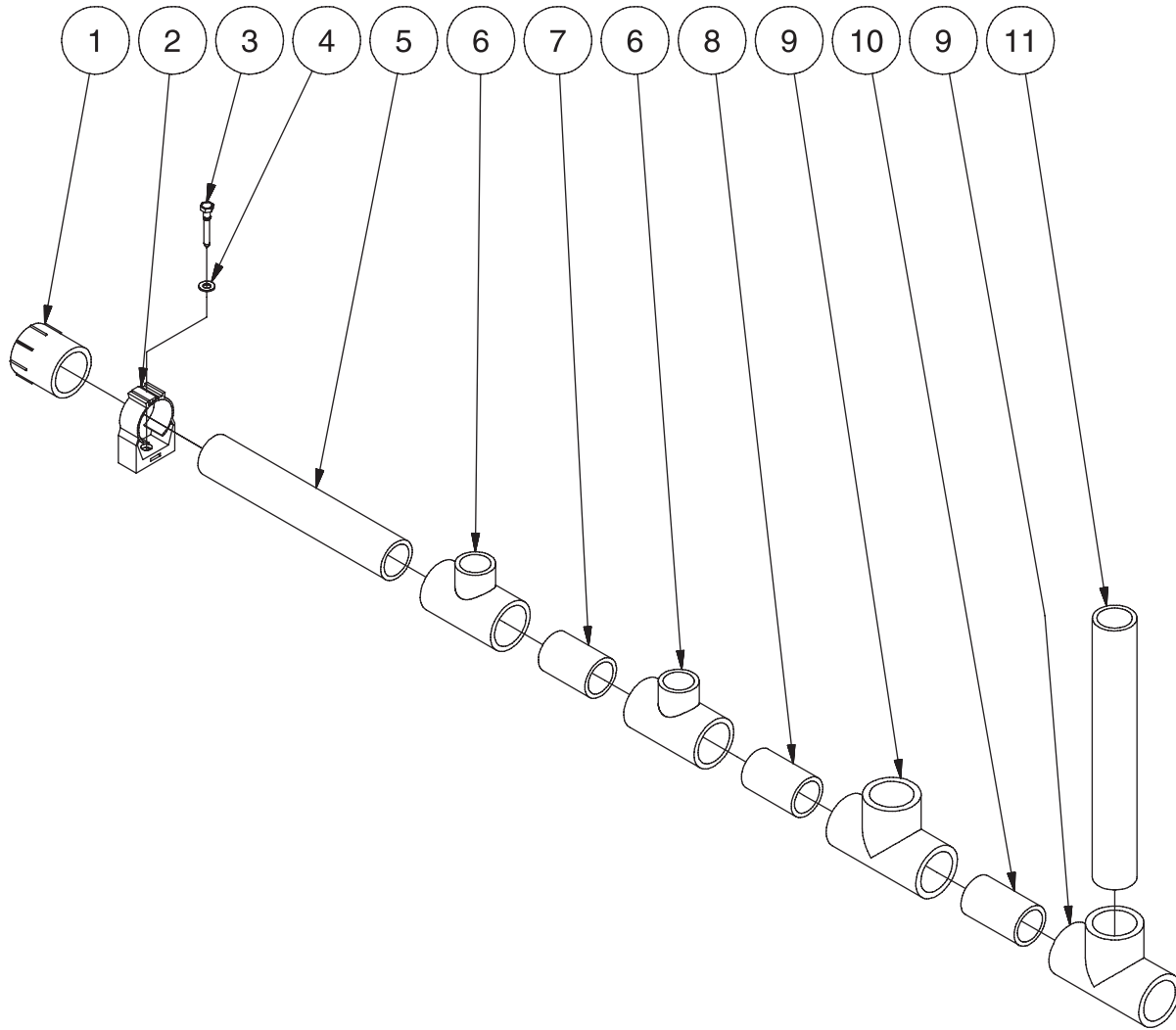


WLP\_WOS OZONE GENERATOR MOUNTING DETAIL-012605-ASY

WLP\_WOS OZONE GENERATOR MOUNTING DETAIL-012605-ASY

OZONE GENERATOR			
REF. #	DESCRIPTION	PART#	QTY.
1	Ozone Generator Bracket	21-0216	2
2	Locknut	30-8152	6
3	Washer	28-0010	10
4	Ozone Generator Fit Plate	21-0219	1
5	Ozone Generator	32-0861	1
6	Screw	27-5032	2
7	Screw	27-8930	2
8	Screw	27-8835	2
9	Screw	27-5031	4
10	Lockwasher	29-1006	4
11	Washer	28-0121	4
12	Spacer	33-0358	4
13	Tank Brackets	N/A	1

# PLUMBING: MAIN DRAIN LINE

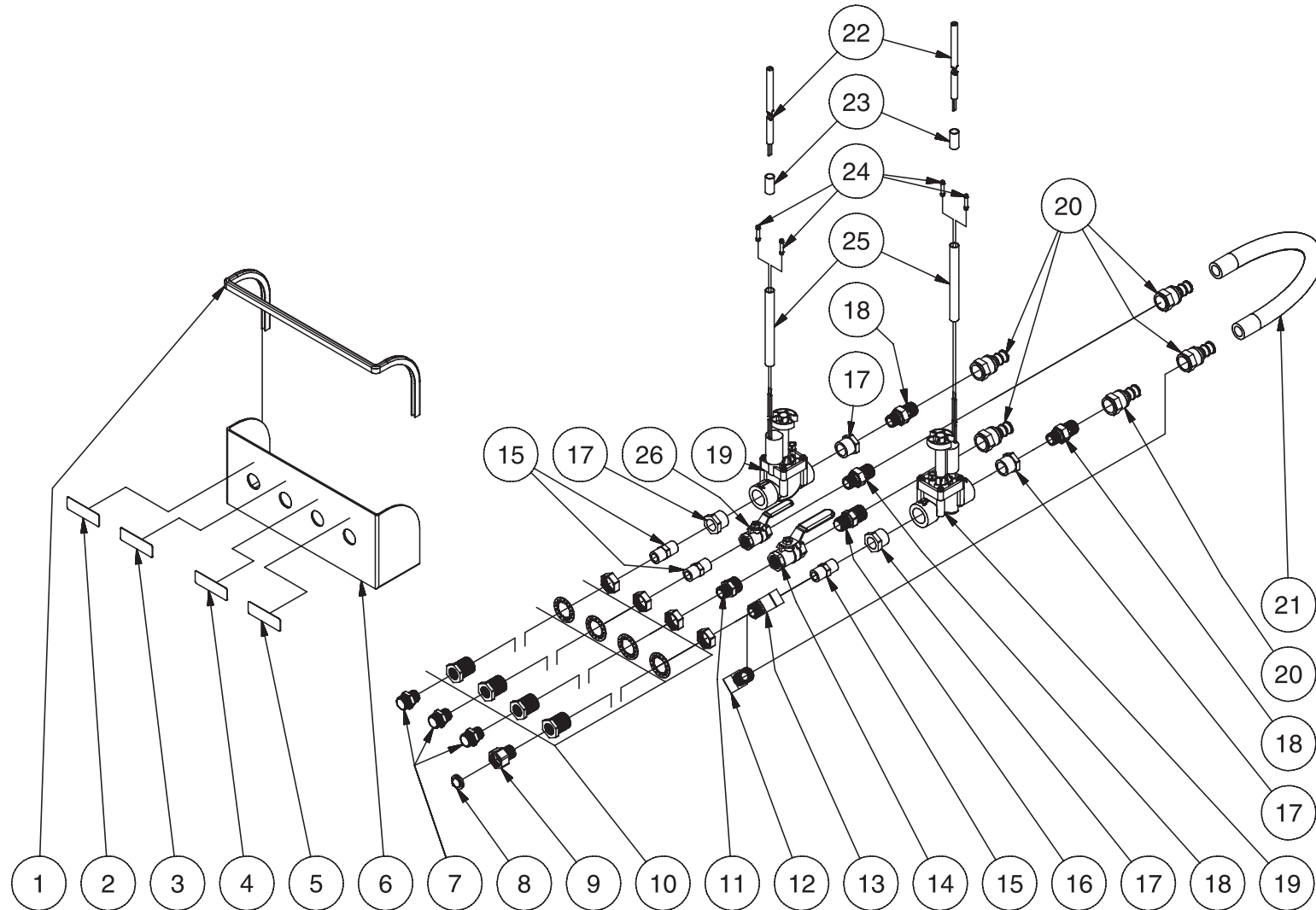


MAIN DRAIN LINE-031505-ASY

MAIN DRAIN LINE-031505-ASY

PLUMBING: MAIN DRAIN LINE			
REF. #	DESCRIPTION	PART#	QTY.
1	Female Adapter	55-1621	1
2	Clamp	42-0026	1
3	Lag Bolt	27-5275	1
4	Washer	28-0122	1
5	Pipe *(1-1/2" x 11")	55-1600	1
6	Tee	55-1603	2
7	Pipe *(1-1/2" x 2-4/5")	55-1600	1
8	Pipe *(1-1/2" x 3")	55-1600	1
9	Tee	55-1601	2
10	Pipe *(1-1/2" x 3-1/5")	55-1600	1
11	Pipe *(1-1/2" x 13-1/2")	55-1600	1

# LOW PROFILE MANIFOLD ASSEMBLY



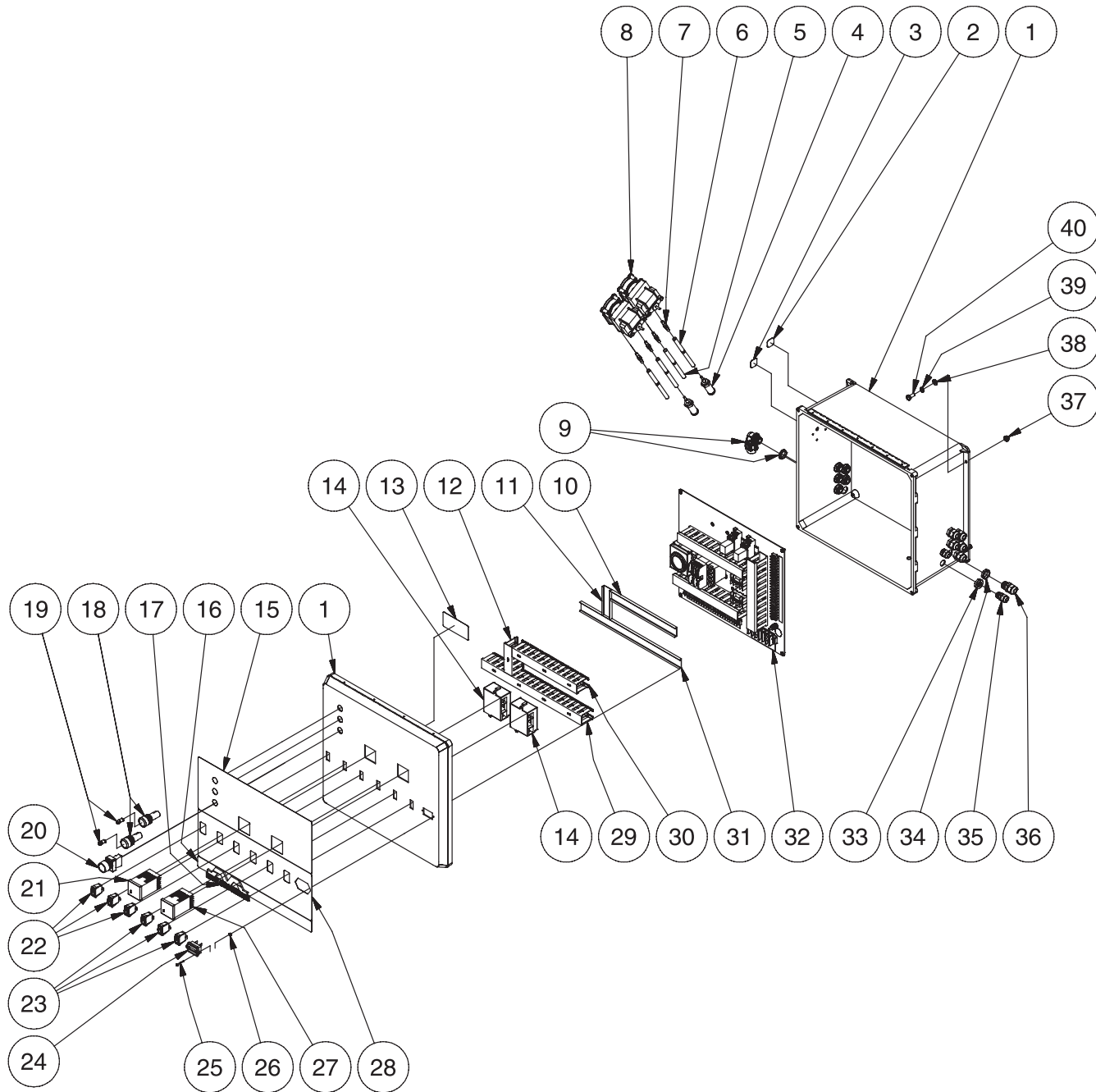
LOW PROFILE MANIFOLD ASSY-081905-ASY



LOW PROFILE MANIFOLD ASSY- 081905-ASY

LOW PROFILE MANIFOLD ASSEMBLY							
REF. #	DESCRIPTION	PART#	QTY.	REF. #	DESCRIPTION	PART#	QTY.
1	Edging *(Three Feet Required)	33-0020	1	14	Ball Valve	22-0279	1
2	Decal- Rain Water Overflow	34-0878	1	15	Nipple	23-0012	3
3	Decal- Rinse Water Outlet	34-0876	1	16	Nipple	23-0362	1
4	Decal- Pressure Washer Outlet	34-0877	1	17	Reducer Bushing	55-1234	4
5	Decal- Fresh Water Inlet	34-0879	1	18	Nipple	23-0359	3
6	Manifold Bracket	21-0116	1	19	Solenoid Valve	55-0102	2
7	Adapter	23-0136	3	20	Hose Barb	23-0358	3
8	Inlet Filter	19-0001	1	21	Hose *(Two Feet Required)	15-0033	1
9	Garden Hose Swivel	23-0095	1	22	Cord *(Six Feet Required)	32-0075	2
10	Tank Adapter	23-0365	4	23	Heat Shrink *(One Foot Required)	33-0219	2
11	Nipple	23-0082	1	24	Connector	32-0122	4
12	Elbow	23-0363	1	25	Heat Shrink *(One Foot Required)	33-0219	2
13	Tee	23-0124	1	26	Ball Valve	22-0278	1
*Must Order in One Foot Lengths							

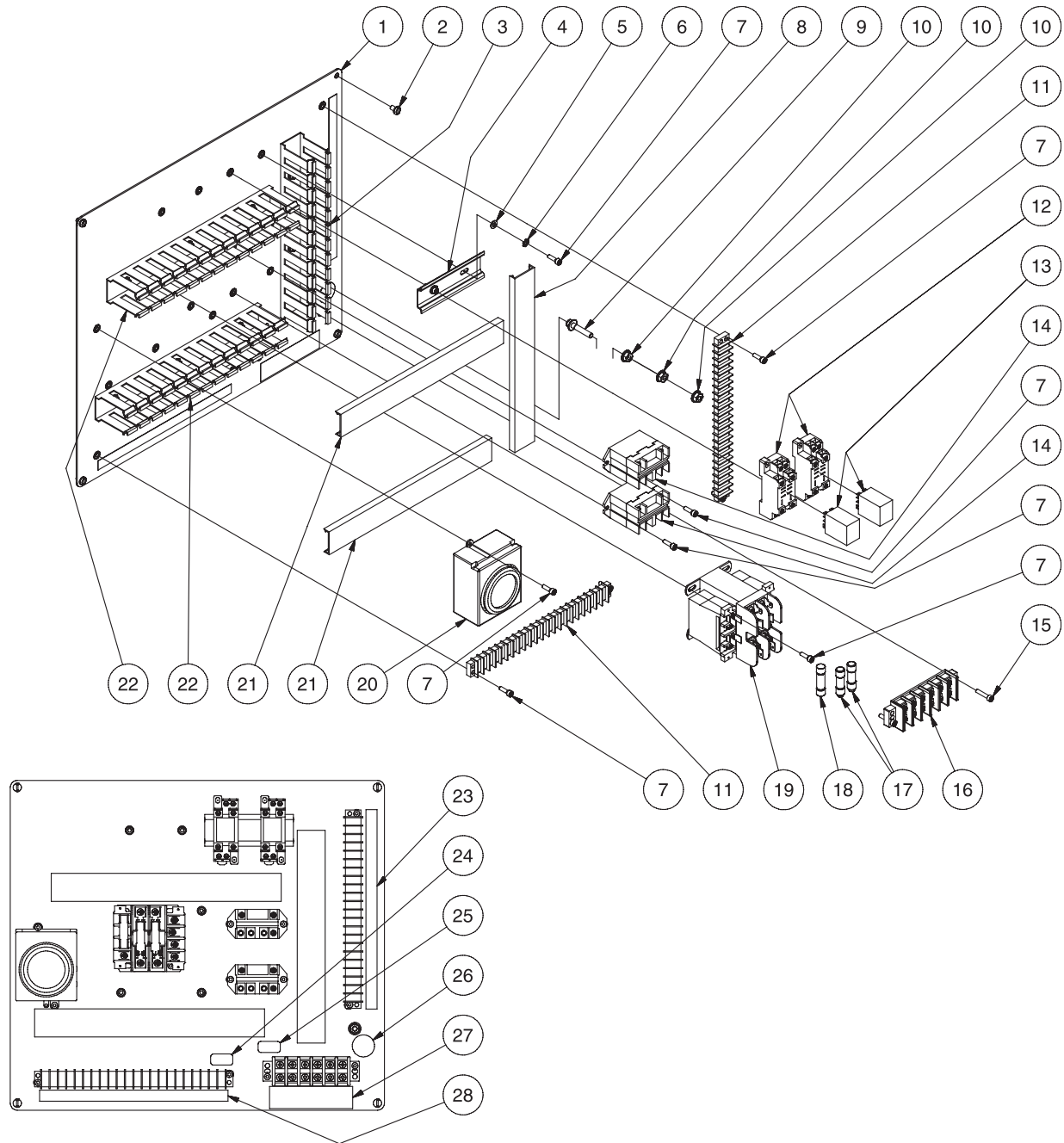
# CONTROL PANEL ASSEMBLY



CONTROL\_PANEL\_ASSY-031505-ASY

CONTROL PANEL ASSEMBLY							
REF. #	DESCRIPTION	PART#	QTY.	REF. #	DESCRIPTION	PART#	QTY.
1	Electrical Box	32-0887	1	21	pH Meter / Controller	32-0806	1
2	Decal- pH	34-0871	2	22	Rocker Switch- 24V	32-0551	3
3	Decal- ORP	34-0872	2	23	Rocker Switch- 240V	32-0552	3
4	Detergent Strainer	19-0056	2	24	Hour Meter	32-0668	1
5	Hose *(Five Feet Required)	15-0021	2	25	Screw	27-8928	2
6	Hose *(Ten Feet Required)	15-0021	2	26	Locknut	30-8151	2
7	Hose Mender	55-0022	4	27	ORP Meter / Controller	32-0807	1
8	Pump	3-0182	2	28	Decal- Operating Instructions	34-0890	1
9	Conduit Elbow	32-0254	1	29	Duct Wiring *(Two Feet Required)	32-0555	1
10	Duct Wiring *(One Foot Required)	32-0318	1	30	Duct Wiring *(One Foot Required)	32-0555	1
11	Duct Wiring *(One Foot Required)	32-0318	1	31	Duct Wiring *(Two Feet Required)	32-0318	1
12	Duct Wiring *(One Foot Required)	32-0555	1	32	Control Panel Plate Assembly (See Exploded Drawing)	N/A Sep.	1
13	Decal- Data Plate	N/A	1	33	Locknut	32-0587	2
14	Timer	32-0544	2	34	Locknut	32-0108	11
15	Decal- Auto Backwash Control	34-1392	1	35	Strain Relief	32-0586	2
16	Decal- Stripe	34-0501	1	36	Strain Relief	32-0437	11
17	Decal- Plastic Logo	62-0087	1	37	Flange Nut	30-5202	4
18	Pilot Light	32-0803	2	38	Washer	28-0122	4
19	Bulb	32-0805	2	39	Lockwasher	29-0007	4
20	Switch	32-0534	1	40	Screw	27-5066	4
23242526*Must Order in One Foot Lengths							

# CONTROL PANEL PLATE ASSEMBLY

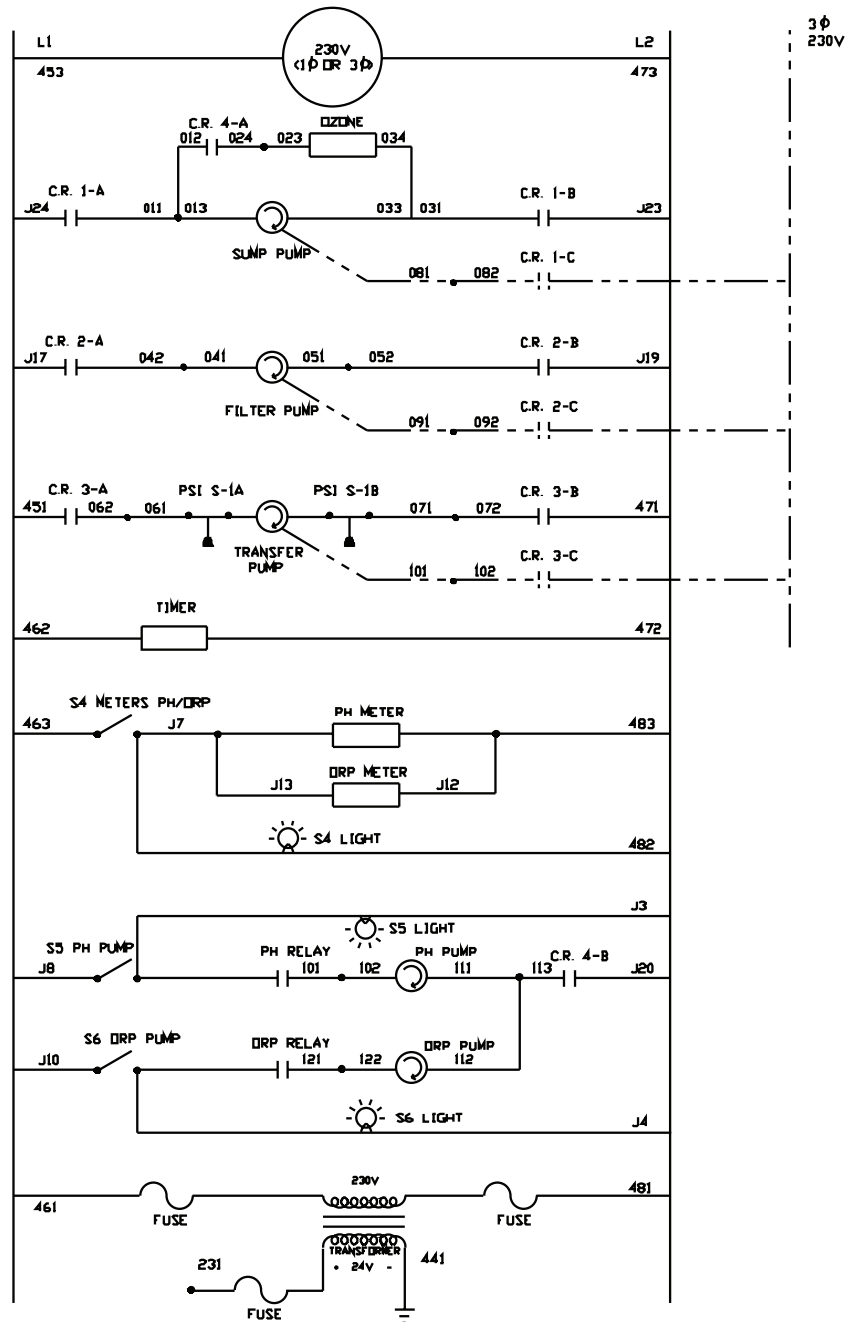


CONTROL PNL-ASY-031505-ASY

## CONTROL PANEL PLATE ASSY-031505-ASY

CONTROL PANEL PLATE ASSEMBLY							
REF. #	DESCRIPTION	PART#	QTY.	REF. #	DESCRIPTION	PART#	QTY.
1	Electrical Plate	20-0484A01	1	15	Screw	27-8930	2
2	Screw	27-8933	4	16	Terminal Block	32-0536	1
3	Duct Wiring *(One Foot Required)	32-0555	1	17	Fuse	32-0467	2
4	Din Rail *(One Foot Required)	32-0316	1	18	Fuse	32-0323	1
5	Washer	28-0010	10	19	Transformer	32-0313	1
6	Lockwasher	28-1009	10	20	Timer	32-0544	1
7	Screw	27-8835	22	21	Wiring Duct *(One Foot Lengths)	32-0318	2
8	Duct Wiring *(One Foot Required)	32-0318	1	22	Wiring Duct *(One Foot Lengths)	32-0555	2
9	Screw	27-8898	1	23	Decal- Terminal Strip 23-44	34-0886	1
10	Flange Nut	30-3022	3	24	Decal- 24V	34-0894	1
11	Terminal Strip	32-0463	2	25	Decal- 230V	34-0895	1
12	Relay Socket	32-0548	2	26	Decal- Terminal Strip	34-0888	1
13	Relay Pole	32-0547	2	27	Decal- Ground Pictorial	34-0889	1
14	Relay Pole	32-0549	2	28	Decal- Terminal Strip 01-22	34-0867	1
*Must Order in One Foot Lengths							

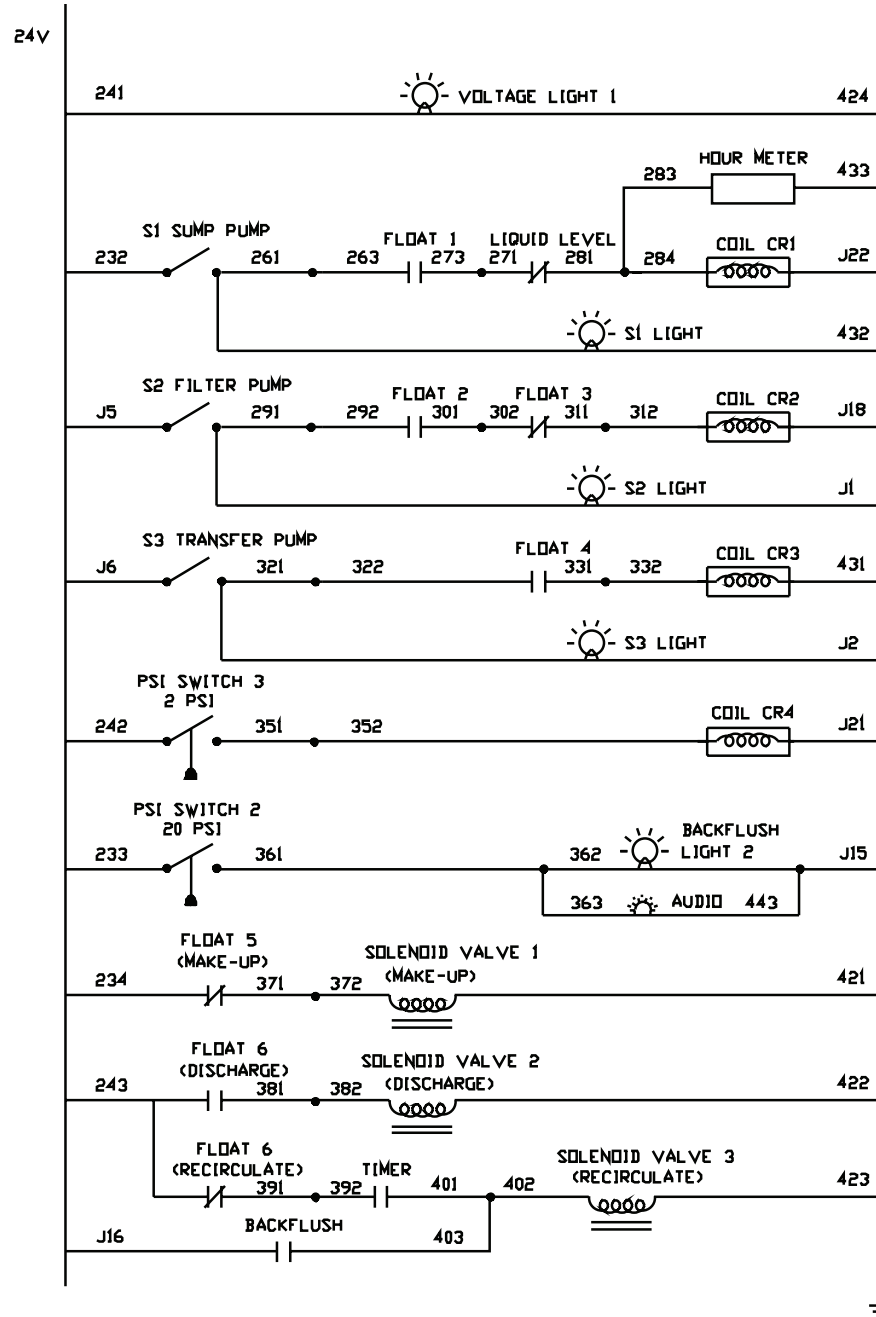
# ELECTRICAL SCHEMATIC - 230 VOLT



3 φ  
230V

WLP-0048-112598-JJ

# ELECTRICAL SCHEMATIC - 24 VOLT

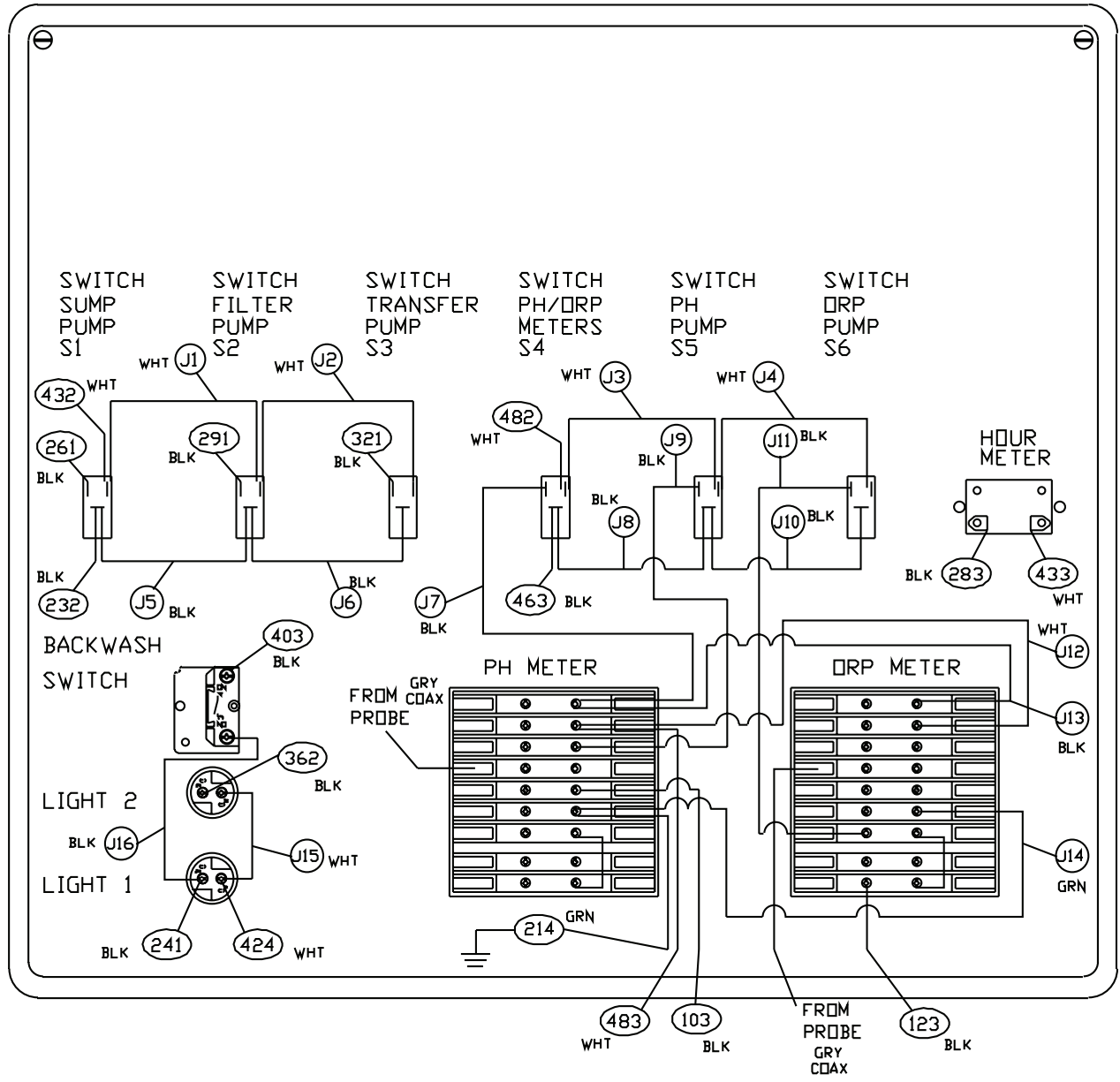


WLP-0049-112598-JJ

# ELECTRICAL DIAGRAM - LID

	9E	⊕	8I	6	⊕	L2	
	5E	⊕	L1	8	⊕	2E	
	7E	⊕	9I	7	⊕	2S	
	3E	⊕	1S	6	⊕	24	
	2E	⊕	4I	5	⊕	23	
	1E	⊕	13	4	⊕	22	
	0E	⊕	2I	3	⊕	12	
	6E	⊕	11	2	⊕	02	
	8E	⊕	0I	1	⊕	6I	

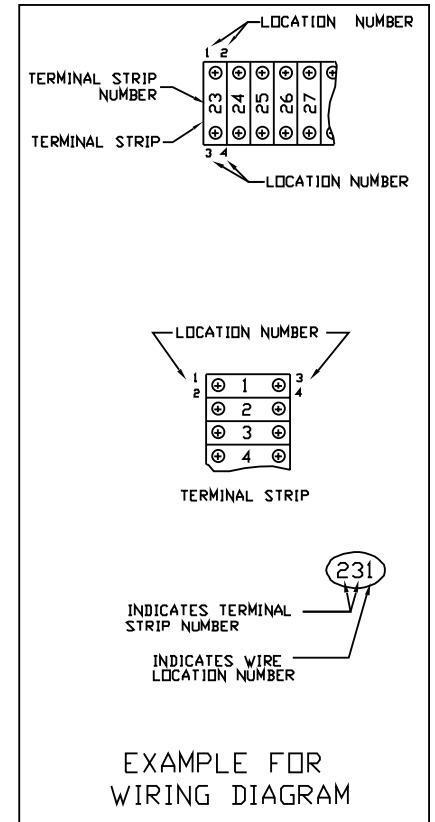
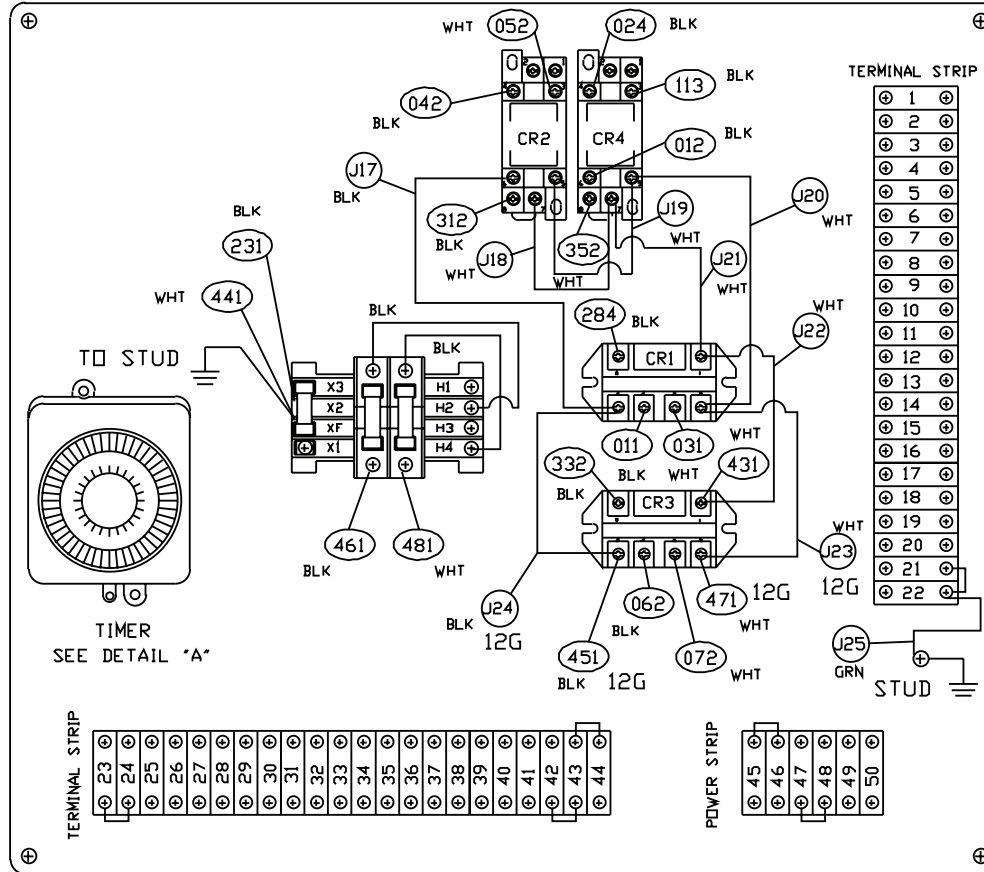
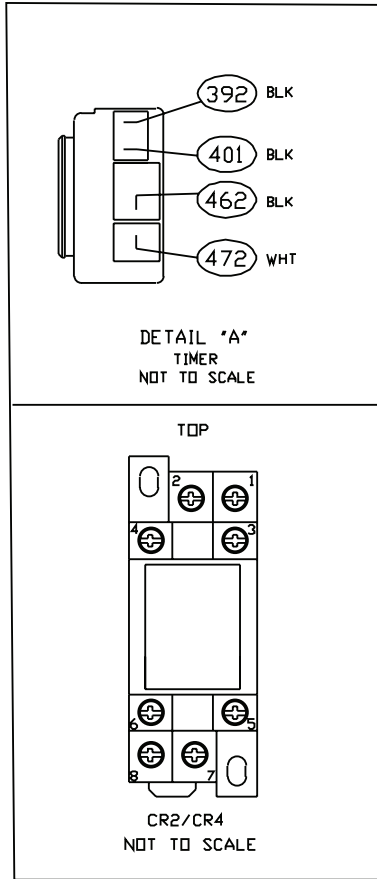
PH/ORP CONTROLLER  
NOT TO SCALE



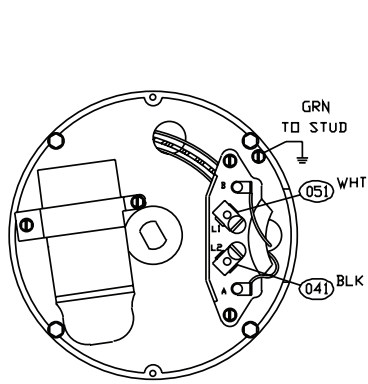
WLP-0052-112598-JJ



# ELECTRICAL DIAGRAM - PLATE

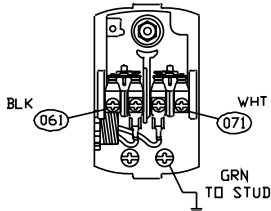


# ELECTRICAL DIAGRAM - BASE



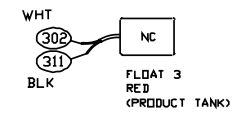
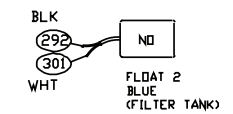
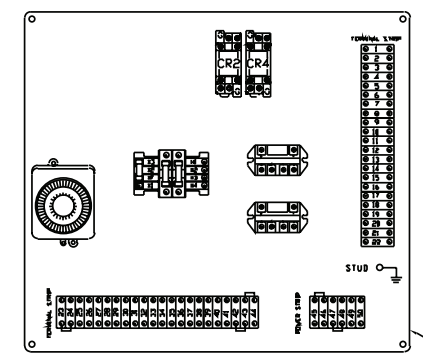
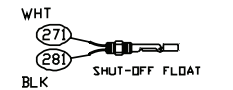
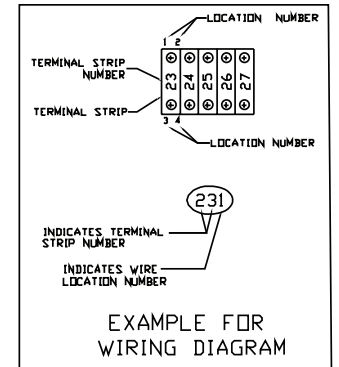
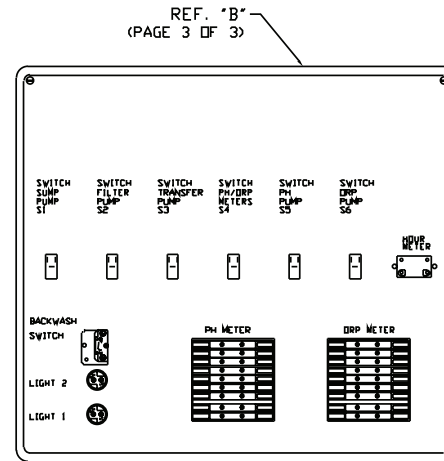
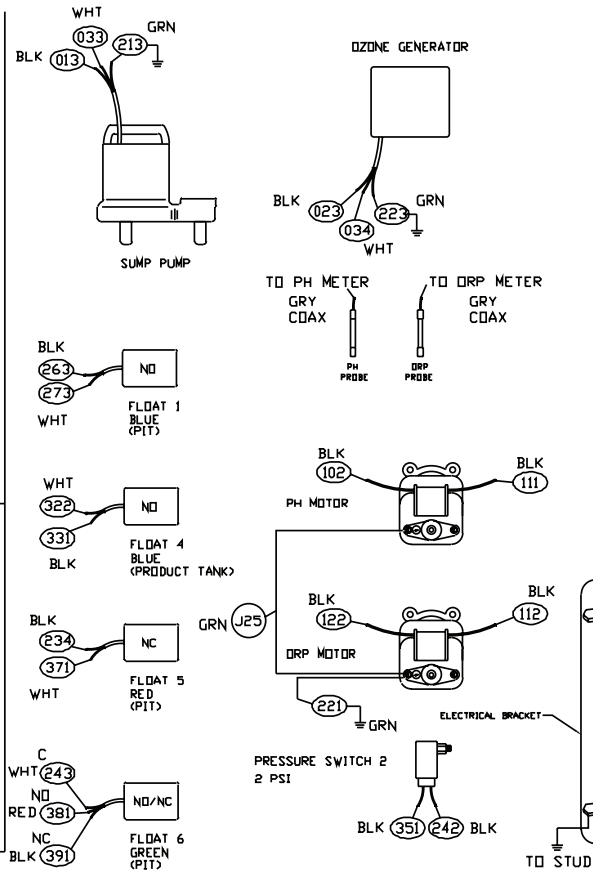
DETAIL "A"

FILTER PUMP  
NOT TO SCALE

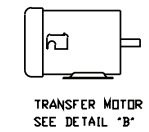
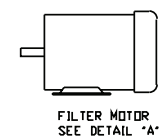
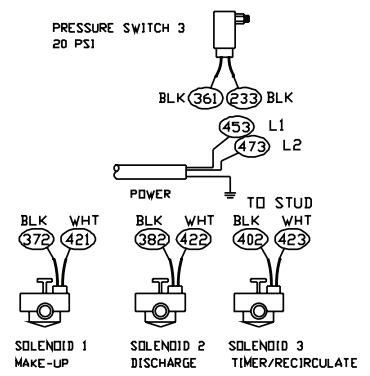


DETAIL "B"

PRESSURE SWITCH 1  
TRANSFER PUMP  
NOT TO SCALE



REF. "A" (PAGE 2 OF 3)



WLP-0050-091098-JJ

---

NOTES

